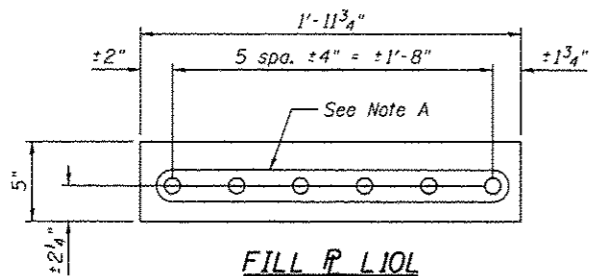
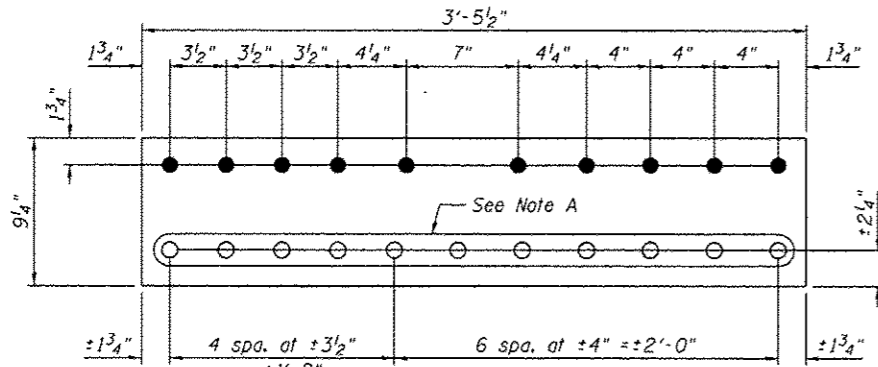


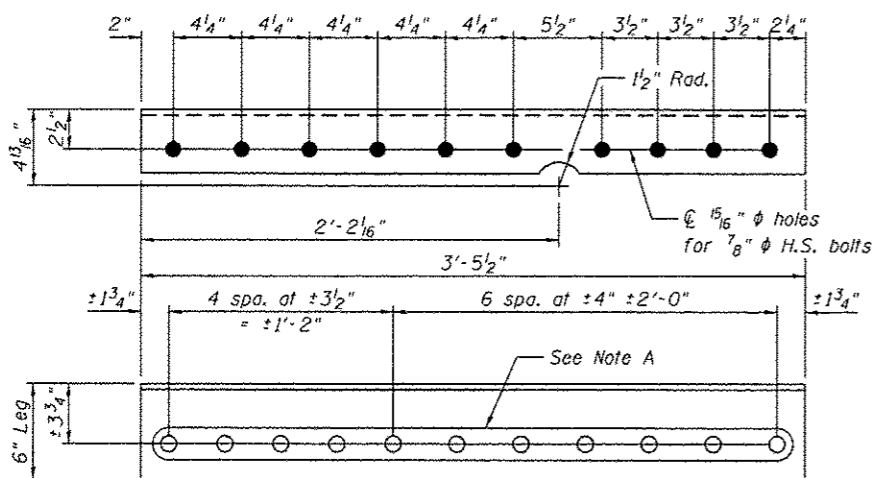
FILL PLATE L1OK
 PL 9/16" x 4" x 3'-5 1/2"



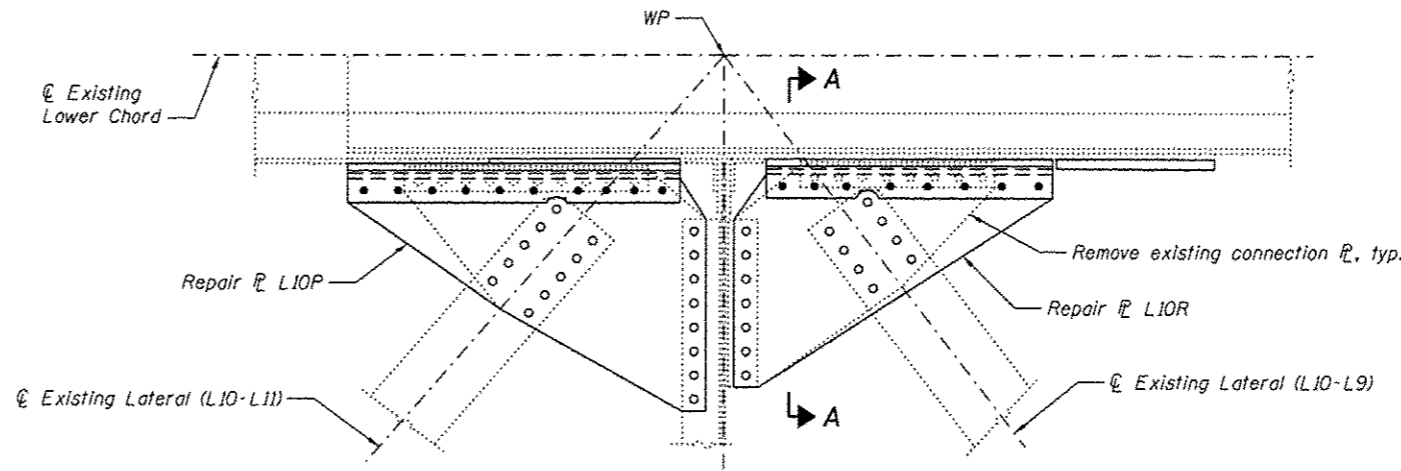
FILL PLATE L1OL
 PL 9/16" x 5" x 1'-11 3/4"



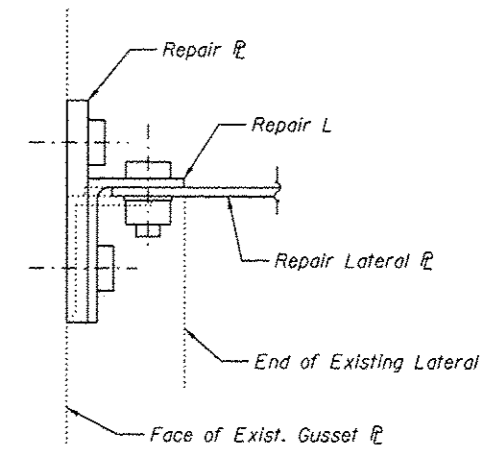
REPAIR PLATE L1OM
 PL 7/8" x 9 1/4" x 3'-5 1/2"



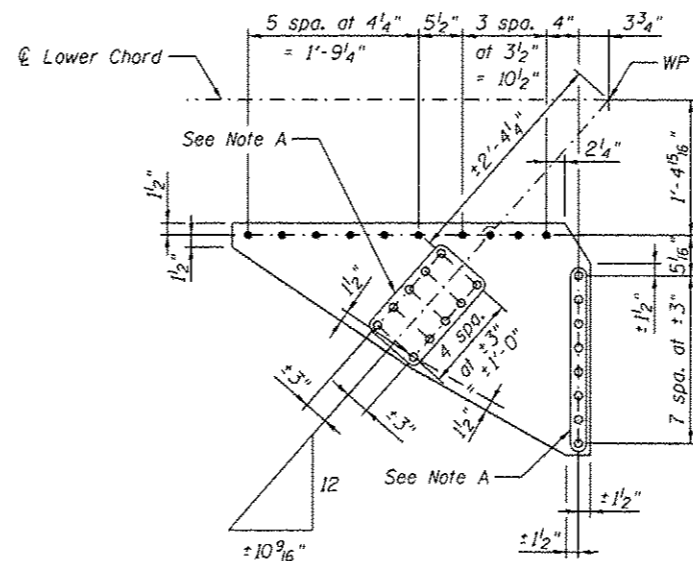
REPAIR ANGLE L1OT
 L6 x 4 x 3/8 x 3'-5 1/2"



LOWER LATERAL AT PANEL POINT L10N AND L10S
 (L10'N AND L10'S SIMILAR)
 (Span 9 and Span 11)

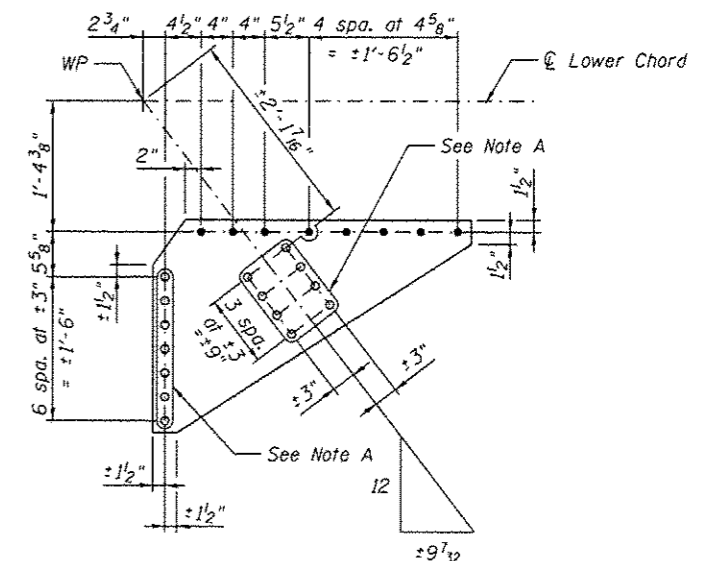


SECTION A-A



REPAIR PLATE L1OP
 PL 3/8" x 29 5/8" x 3'-8 3/8"

Note: Repair PL L1OP requires 1 5/16" φ holes for 7/8" φ H.S. bolts.



REPAIR PLATE L1OR
 PL 3/8" x 26 5/8" x 3'-3 3/4"

Note: Repair PL L1OR requires 1 5/16" φ holes for 7/8" φ H.S. bolts.

Note A:
 Field drill holes using existing holes as template.
 Remainder of holes may be shop or field drilled.

Notes:
 All bolted connections shown on this sheet shall be made with 1" dia. H.S. bolts unless otherwise noted.
 For location of pieces, L1OK, L1OL, L1OM and L1OT, see sheet S51.



USER NAME *	DESIGNED - MEL /YSS	REVISED
PLOT SCALE *	CHECKED - CDB	REVISED
PLOT DATE 05/09/2014	DRAWN - AEC	REVISED
	CHECKED - MEL	REVISED

STATE OF ILLINOIS
 DEPARTMENT OF TRANSPORTATION

MAIN SPAN GUSSET PLATE STRENGTHENING - 7
 S.N. 082-6001 MLK BRIDGE OVER MISSISSIPPI RIVER

SHEET NO. S52 OF S138 SHEETS

F.A.P. RTE. 799	SECTION IBR, DRS-2	COUNTY ST. CLAIR	TOTAL SHEETS 156	SHEET NO. 70
ILLINOIS FED. AID PROJECT			CONTRACT NO. 76803	