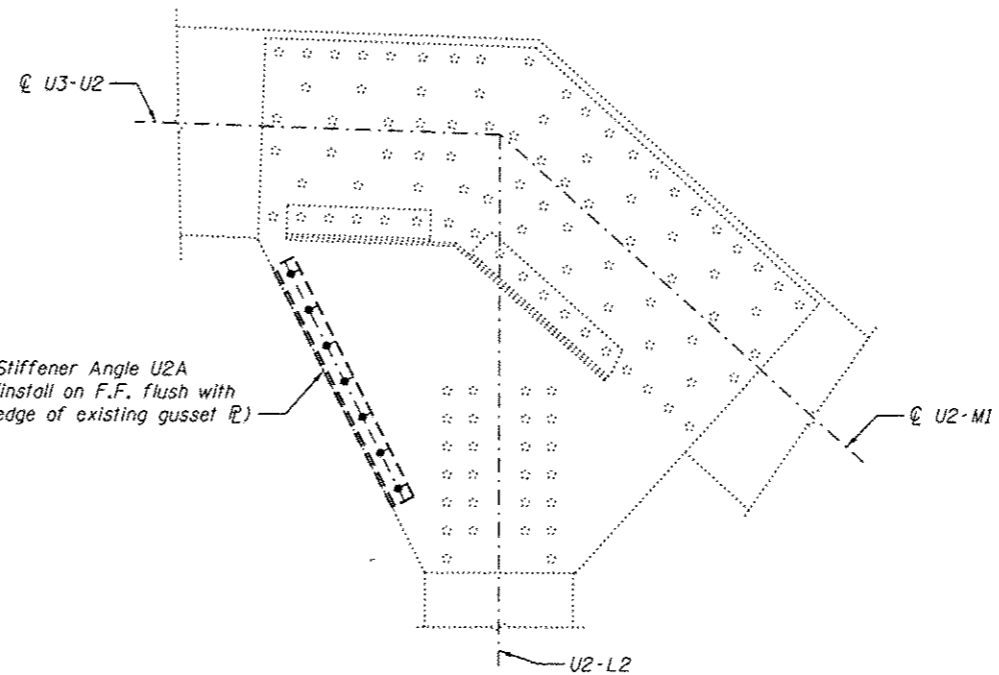
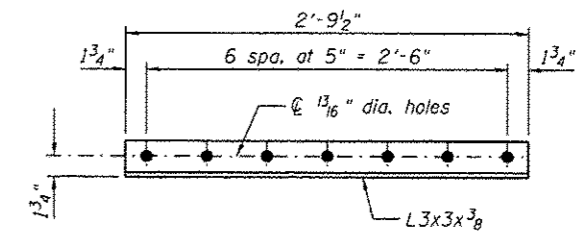


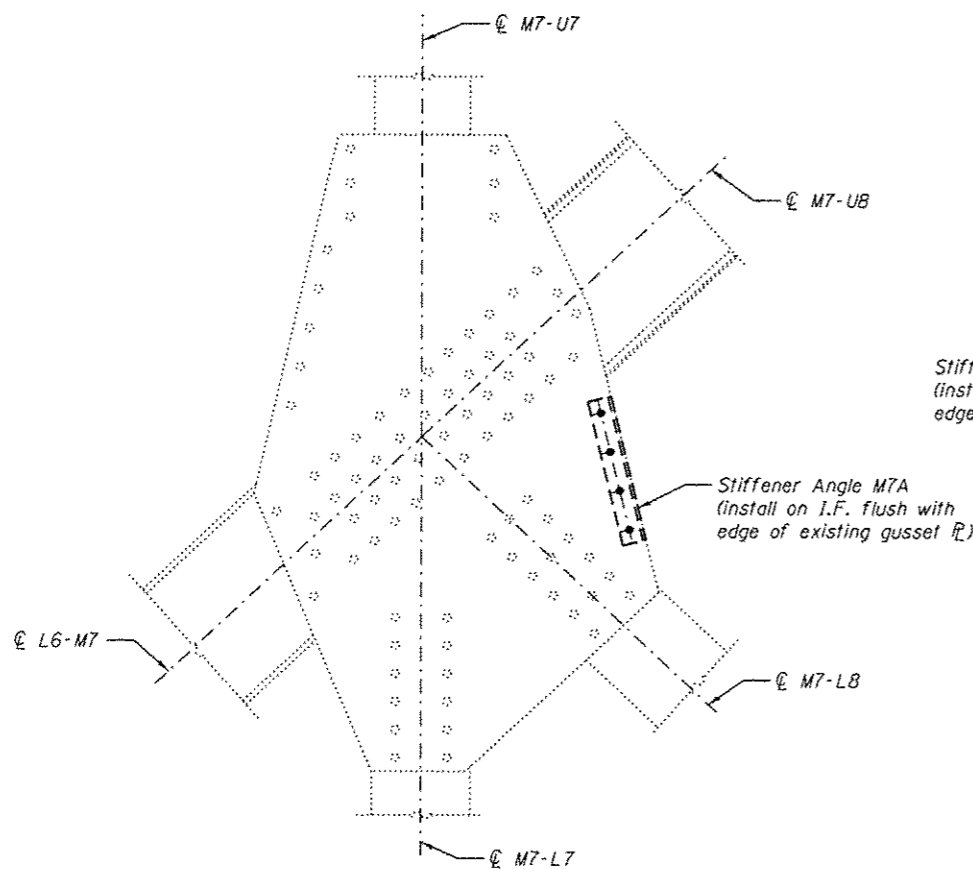
OUTSIDE PLATE AT PANEL POINT U2N AND U2S
 (U2'N AND U2'S SIMILAR)
 (Span 9 and 11)



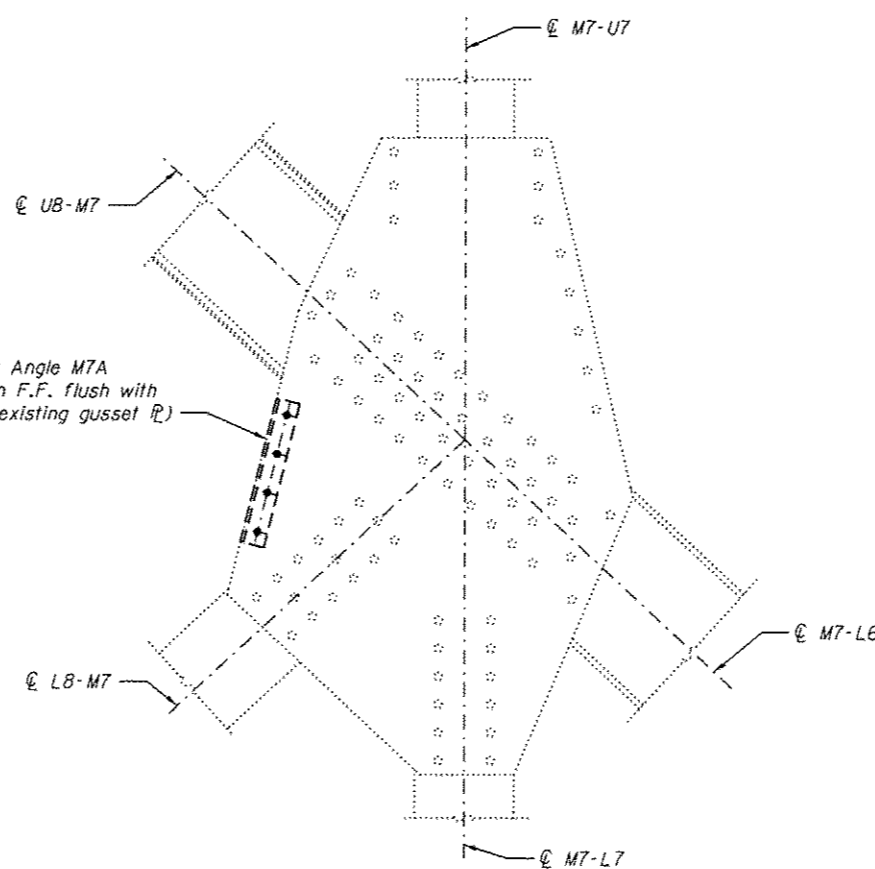
INSIDE PLATE AT PANEL POINT U2N AND U2S
 (U2'N AND U2'S SIMILAR)
 (Span 9 and 11)



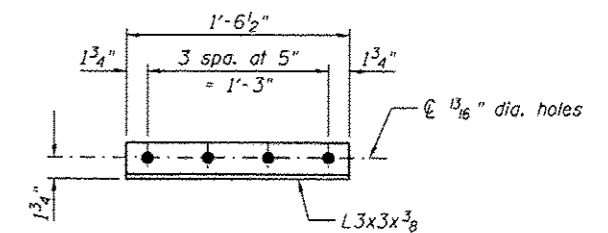
STIFFENER ANGLE U2A



OUTSIDE PLATE AT PANEL POINT M7N AND M7S
 (M7'N AND M7'S SIMILAR)
 (Span 9 and 11)



INSIDE PLATE AT PANEL POINT M7N AND M7S
 (M7'N AND M7'S SIMILAR)
 (Span 9 and 11)



STIFFENER ANGLE M7A

Notes:
 Field drill holes in existing gusset plate using new material as template.
 All bolted connections shown on this sheet shall be made with 3/4" dia. H.S. bolts unless otherwise noted.

BILL OF MATERIAL

Item	Unit	Total
Structural Steel Repair	Pound	300

GUSSET PLATE STRENGTHENING



USER NAME =	DESIGNED - MEL	REVISED
	CHECKED - CDB	REVISED
PLOT SCALE =	DRAWN - PRC	REVISED
PLOT DATE = 05/02/2014	CHECKED - MEL	REVISED

STATE OF ILLINOIS
 DEPARTMENT OF TRANSPORTATION

MAIN SPANS GUSSET PLATE STRENGTHENING - 10
 S.N. 082-6001 MLK BRIDGE OVER MISSISSIPPI RIVER

SHEET NO. 555 OF 5138 SHEETS

F.A.P. RTE. 799	SECTION 1BR, DRS-2	COUNTY ST. CLAIR	TOTAL SHEETS 156	SHEET NO. 73
			CONTRACT NO. 76B03	
[ILLINOIS] FED. AID PROJECT				