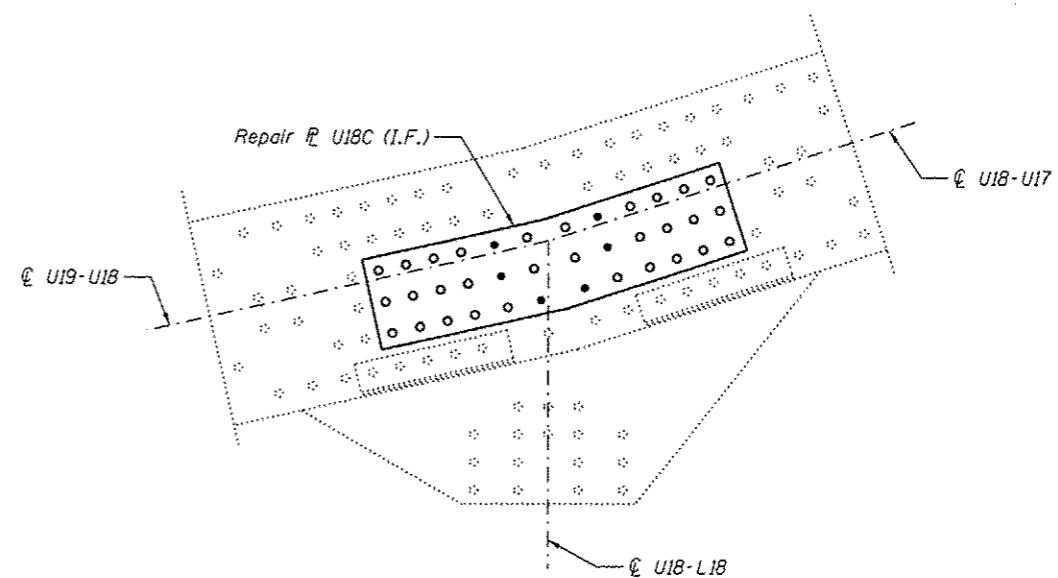
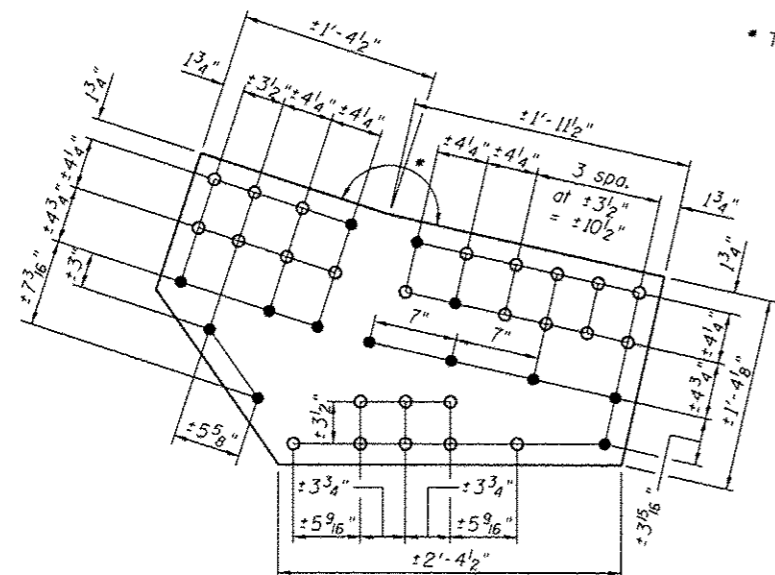


**OUTSIDE PLATE AT PANEL POINT U18N AND U18S**  
 (U18'N AND U18'S SIMILAR)  
 (Span 10)



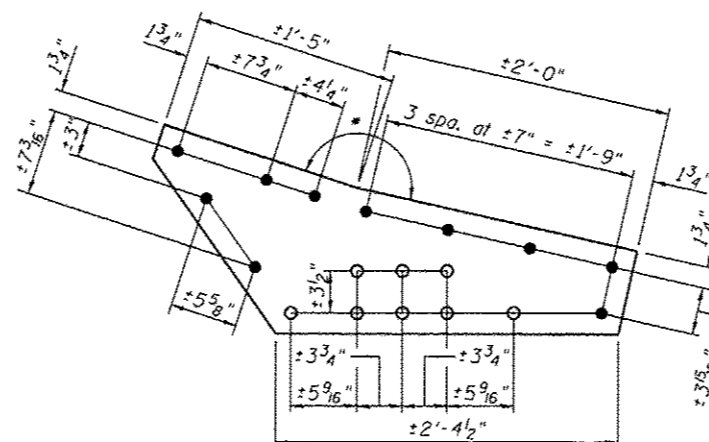
**INSIDE PLATE AT PANEL POINT U18N AND U18S**  
 (U18'N AND U18'S SIMILAR)  
 (Span 10)

**GUSSET PLATE STRENGTHENING**

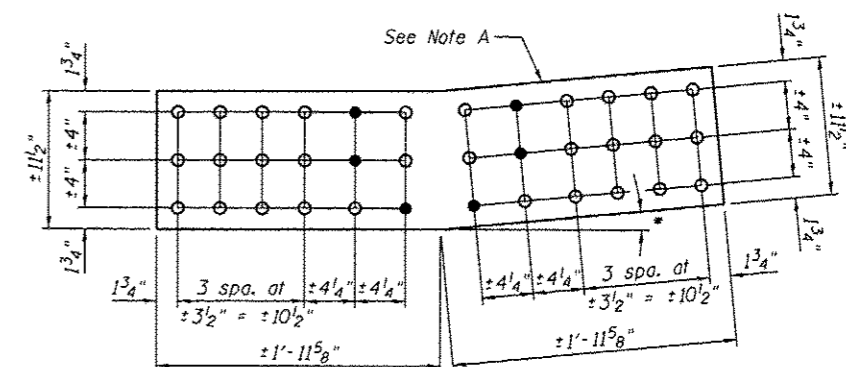


**REPAIR P U18A**  
 P 1"

\* To be determined in field



**FILL P U18B**  
 P 3/4"



**REPAIR P U18C**  
 P 1" x 11 1/2" x 3'-11 1/4"

Procedure:  
 Install repair plates one at a time.

**BILL OF MATERIAL**

Item	Unit	Total
Structural Steel Repair	Pound	2,200

Note A:  
 Field drill holes (◦) using existing holes as template.  
 Remainder of holes (•) may be shop or field drilled.

Note:  
 All bolted connections shown on this sheet shall be made with 1" dia. H.S. bolts unless otherwise noted.  
 For front and inside faces of gusset plates, see truss cross section on sheet SB.