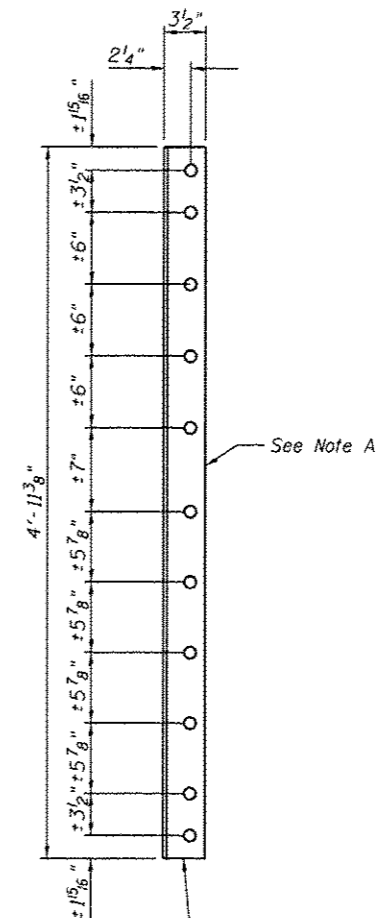


**NORTH END AT PANEL POINT L8**  
**EAST FACE**  
Span 9

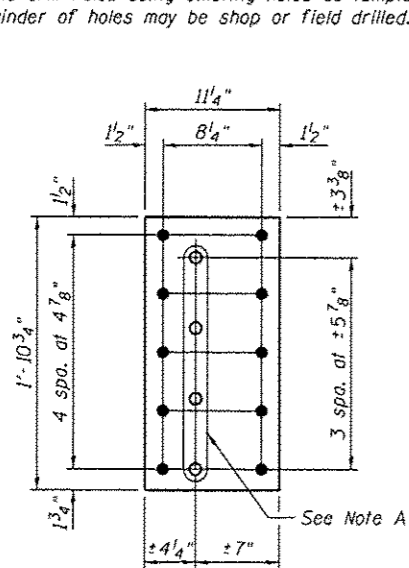
**NORTH END AT PANEL POINT L8**  
**WEST FACE**  
Span 9

**FLOORBEAM WEB REPAIRS**

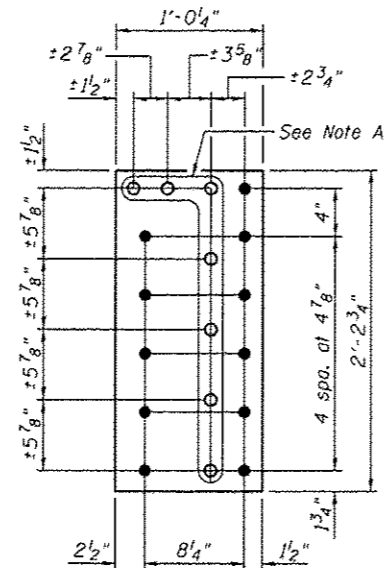


**REPAIR ANGLE D2**  
L5x3 1/2 x 5/16 x 4'-11 3/8"

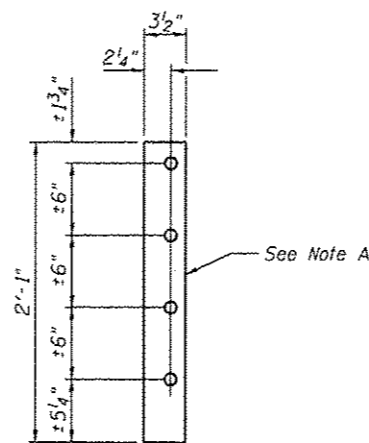
Note A:  
Field drill holes using existing holes as template.  
Remainder of holes may be shop or field drilled.



**REPAIR P A2**  
P 3/8" x 11 1/4" x 1'-10 3/4"



**REPAIR P B2**  
P 9/16" x 12 1/4" x 2'-2 3/4"



**FILL P C2**  
P 9/16" x 3 1/2" x 2'-1"

**BILL OF MATERIAL**

Item	Unit	Total
Structural Steel Repair	Pound	160



USER NAME =	DESIGNED - PRC	REVISED
	CHECKED - CDB	REVISED
PLOT SCALE =	DRAWN - PRC	REVISED
PLOT DATE = 05/02/2014	CHECKED - CDB	REVISED

**STATE OF ILLINOIS**  
**DEPARTMENT OF TRANSPORTATION**

**MAIN SPANS FLOORBEAM WEB REPAIRS - 2**  
**S.N. 082-6001 MLK BRIDGE OVER MISSISSIPPI RIVER**

F.A.P. RTE. 799	SECTION 1BR. DRS-2	COUNTY ST. CLAIR	TOTAL SHEETS 156	SHEET NO. 84
CONTRACT NO. 76B03			ILLINOIS FED. AID PROJECT	

SHEET NO. 566 OF 5138 SHEETS