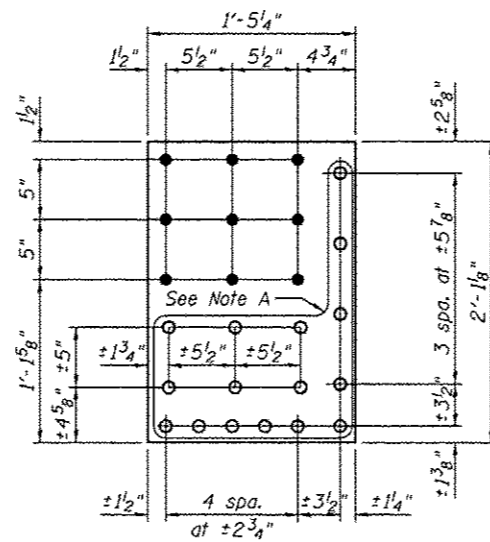


**SOUTH END AT PANEL POINT L10**

West face shown  
Span 9

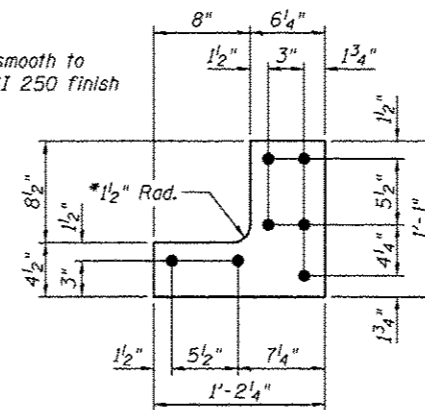
**FLOORBEAM WEB REPAIRS**



**REPAIR R B4**

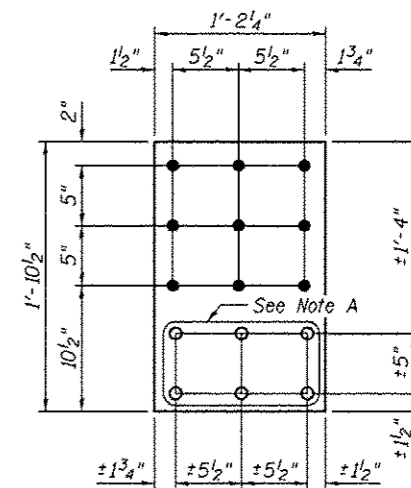
R 3/8" x 17 1/4" x 2'-1 1/8"

\* Grind smooth to an ANSI 250 finish



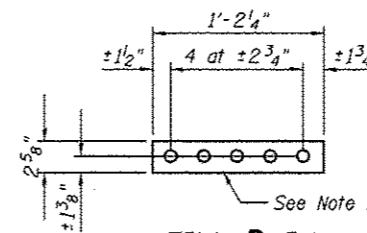
**FILL R C4**

R 9/16" x 13" x 1'-2 1/4"



**FILL R F4**

R 9/16" x 14 1/4" x 1'-10 1/2"



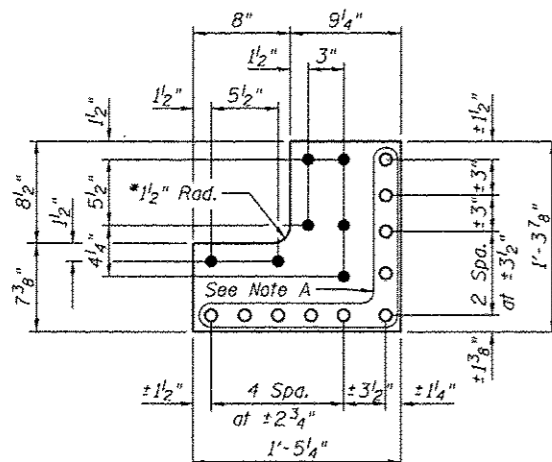
**FILL R D4**

R 3/16" x 2 5/8" x 1'-2 1/4"

**FILL R E4**

R 1/4" x 2 5/8" x 1'-2 1/4"

Note A:  
Field drill holes using existing holes as template.  
Remainder of holes may be shop or field drilled.



**REPAIR R A4**

R 3/8" x 15 7/8" x 1'-5 1/4"

**BILL OF MATERIAL**

Item	Unit	Total
Structural Steel Repair	Pound	320



USER NAME =  
DESIGNED - PRC  
CHECKED - CDB  
PLOT SCALE =  
DRAWN - PRC  
PLOT DATE = 03/20/2014  
CHECKED - CDB  
REVISED

DESIGNED - PRC  
CHECKED - CDB  
DRAWN - PRC  
CHECKED - CDB  
REVISED

STATE OF ILLINOIS  
DEPARTMENT OF TRANSPORTATION

MAIN SPANS FLOORBEAM WEB REPAIRS - 4  
S.N. 082-6001 MLK BRIDGE OVER MISSISSIPPI RIVER

SHEET NO. 568 OF 5138 SHEETS

F.A.P. RTE.	SECTION	COUNTY	TOTAL SHEETS	SHEET NO.
799	IBR, DRS-2	ST. CLAIR	156	86

CONTRACT NO. 76B03  
ILLINOIS FED. AID PROJECT