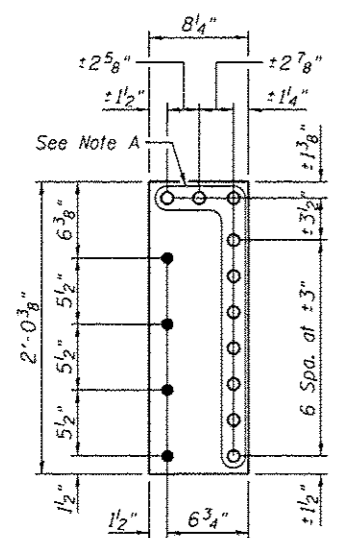


**SOUTH END AT PANEL POINT L11  
WEST FACE**  
Span 9

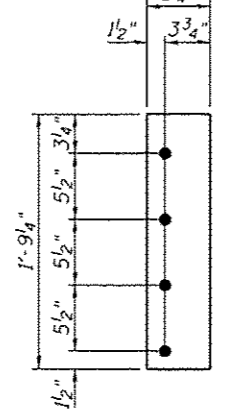
**SOUTH END AT PANEL POINT L11  
EAST FACE**  
Span 9

**FLOORBEAM WEB REPAIRS**

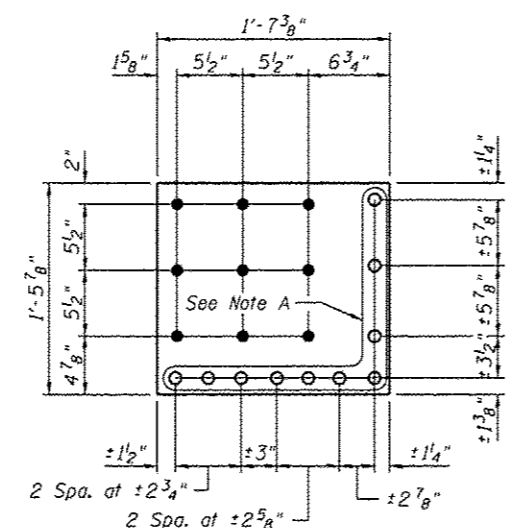
Note A:  
Field drill holes using existing holes as template.  
Remainder of holes may be shop or field drilled.



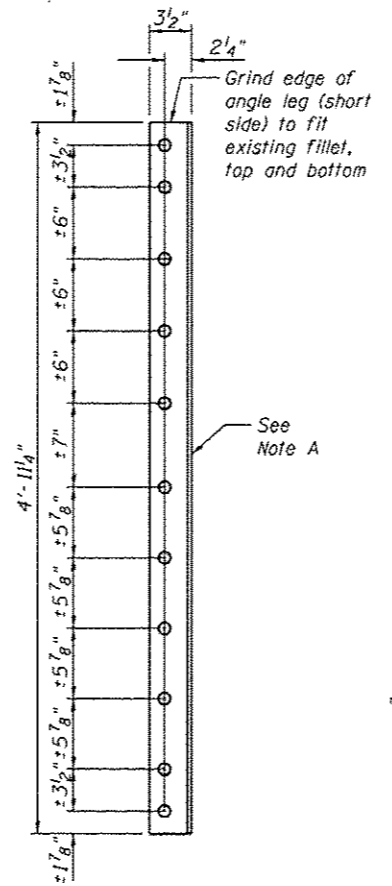
**REPAIR P A5**  
P 3/8" x 8 1/4" x 2'-0 3/8"



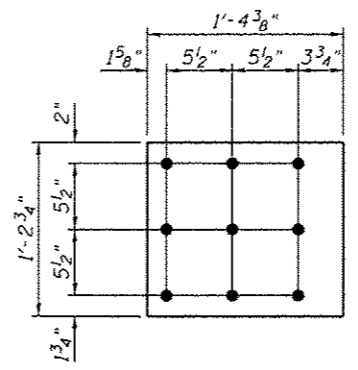
**FILL P B5**  
P 5/8" x 5 1/4" x 1'-9 1/4"



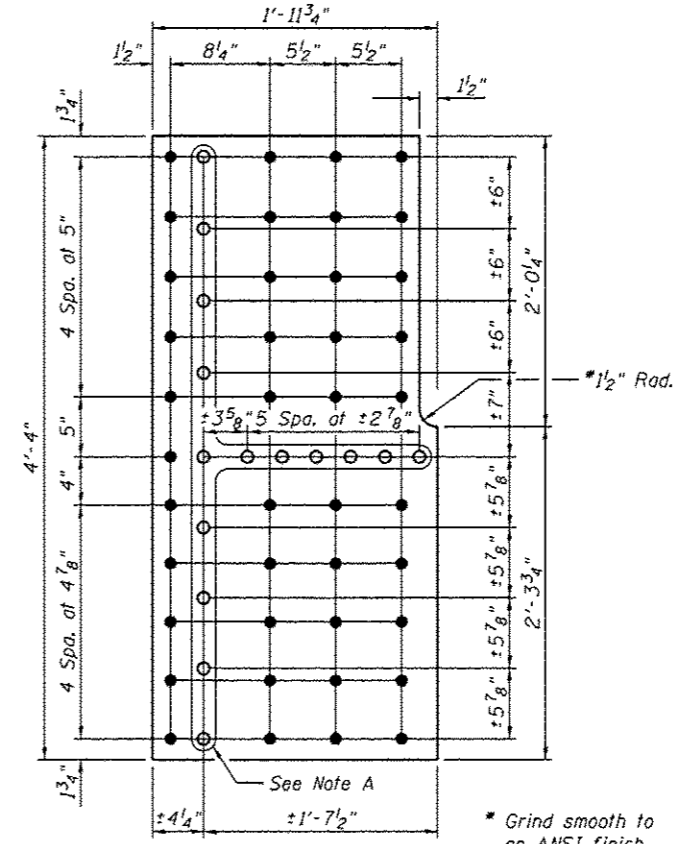
**REPAIR P C5**  
P 3/8" x 17 7/8" x 1'-7 3/8"



**REPAIR ANGLE D5**  
L5x3 1/2 x 5 1/8 x 4'-11 1/4"

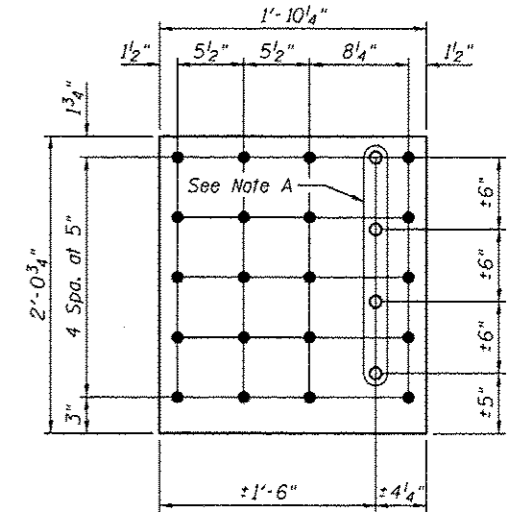


**FILL P E5**  
P 5/8" x 14 3/4" x 1'-4 3/8"

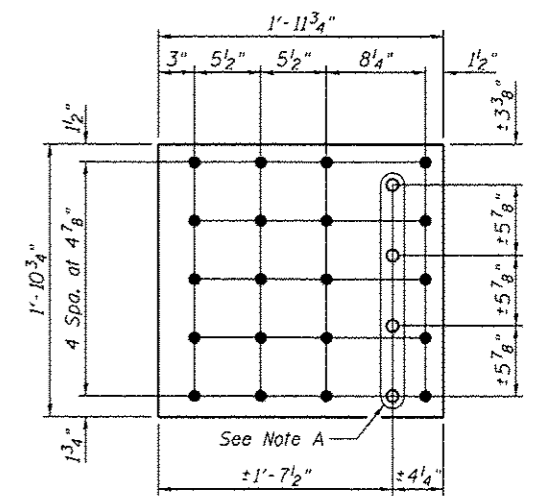


**REPAIR P F5**  
P 5/8" x 23 3/4" x 4'-4"

\* Grind smooth to an ANSI finish



**REPAIR P G5**  
P 3/8" x 22 1/4" x 2'-0 3/4"



**REPAIR P H5**  
P 3/8" x 22 3/4" x 1'-11 3/4"

**BILL OF MATERIAL**

Item	Unit	Total
Structural Steel Repair	Pound	700



USER NAME :	DESIGNED - PRC	REVISED
PLOT SCALE :	CHECKED - CDB	REVISED
PLOT DATE : 05/02/2014	DRAWN - PRC	REVISED
	CHECKED - CDB	REVISED

STATE OF ILLINOIS  
DEPARTMENT OF TRANSPORTATION

MAIN SPANS FLOORBEAM WEB REPAIRS - 5  
S.N. 082-6001 MLK BRIDGE OVER MISSISSIPPI RIVER

SHEET NO. 569 OF 5138 SHEETS

F.A.P. RTE. 799	SECTION 1BR, DRS-2	COUNTY ST. CLAIR	TOTAL SHEETS 156	SHEET NO. 87
				CONTRACT NO. 76B03
[ILLINOIS] FED. AID PROJECT				