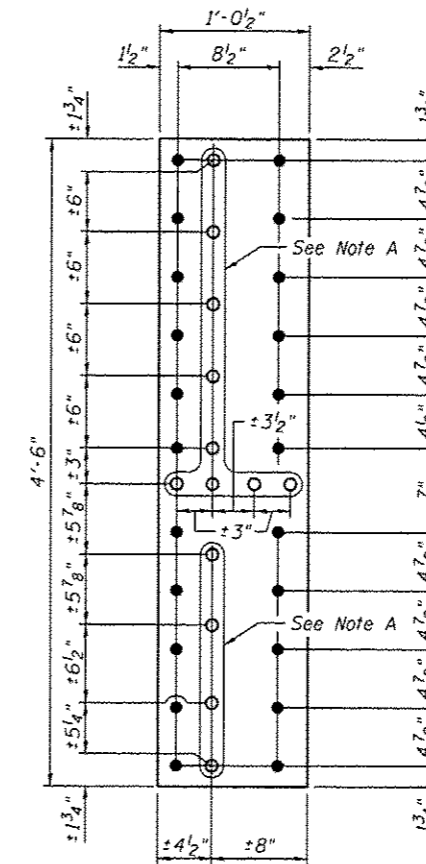


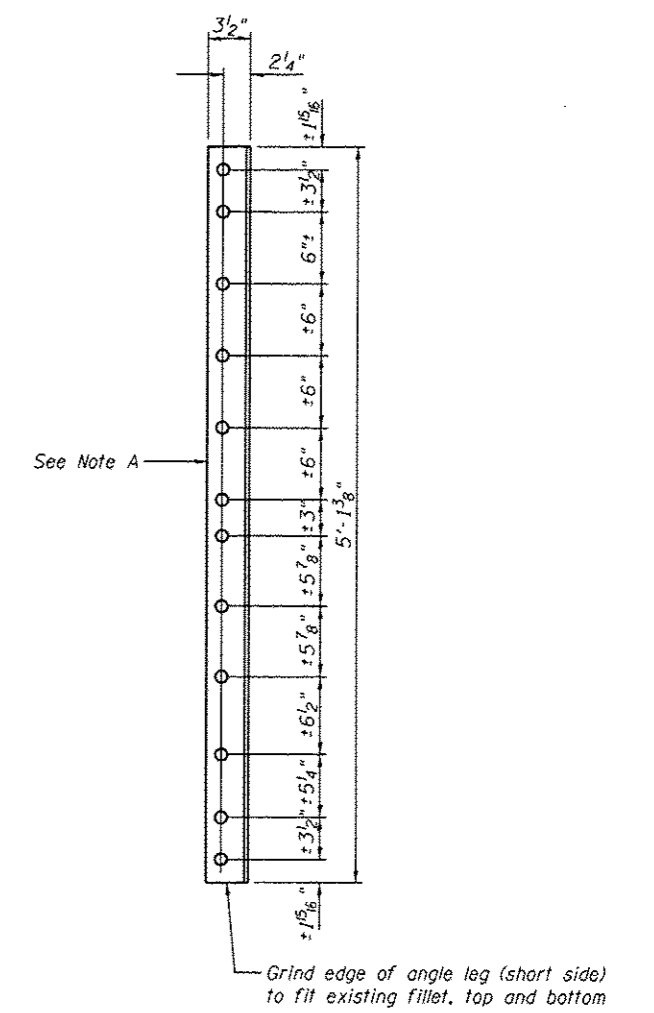
**SOUTH END AT PANEL POINT L16**  
**WEST FACE**  
Span 10

**SOUTH END AT PANEL POINT L16**  
**EAST FACE**  
Span 10

**FLOORBEAM WEB REPAIRS**

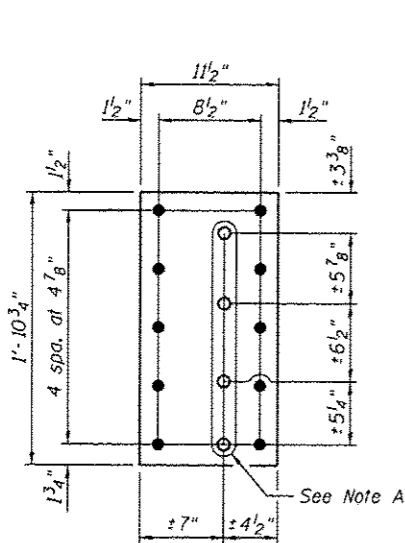


**REPAIR R C6**  
R 3/16" x 12 1/2" x 4'-6"

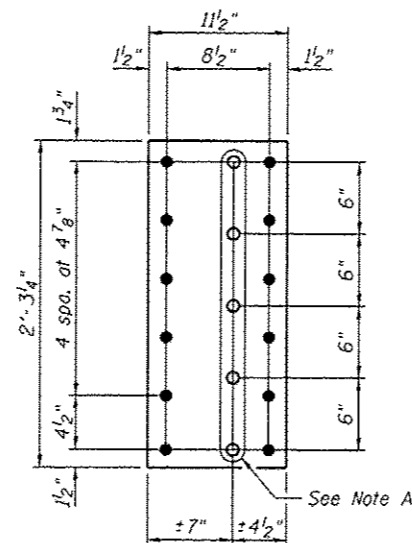


**REPAIR ANGLE D6**  
L5x3 1/2x5/16 x 5'-1 3/8"

Note A:  
Field drill holes using existing holes as template.  
Remainder of holes may be shop or field drilled.



**REPAIR R A6**  
R 3/8" x 11 1/2" x 1'-10 3/4"



**REPAIR R B6**  
R 3/8" x 11 1/2" x 2'-3 1/4"

Note:  
See sheet S71 for additional repair and fill plate details.

**BILL OF MATERIAL**

| Item                    | Unit  | Total |
|-------------------------|-------|-------|
| Structural Steel Repair | Pound | 480   |



|              |                |         |
|--------------|----------------|---------|
| USER NAME *  | DESIGNED - PRC | REVISED |
| PLOT SCALE * | CHECKED - CDB  | REVISED |
| PLOT DATE *  | DRAWN - PRC    | REVISED |
|              | CHECKED - CDB  | REVISED |

**STATE OF ILLINOIS**  
**DEPARTMENT OF TRANSPORTATION**

**MAIN SPANS FLOORBEAM WEB REPAIRS - 6**  
**S.N. 082-6001 MLK BRIDGE OVER MISSISSIPPI RIVER**

SHEET NO. 570 OF 5138 SHEETS

|                             |            |           |              |           |
|-----------------------------|------------|-----------|--------------|-----------|
| F.A.P. RTE.                 | SECTION    | COUNTY    | TOTAL SHEETS | SHEET NO. |
| 799                         | IBR, DRS-2 | ST. CLAIR | 156          | 88        |
| CONTRACT NO. 76B03          |            |           |              |           |
| [ILLINOIS] FED. AID PROJECT |            |           |              |           |