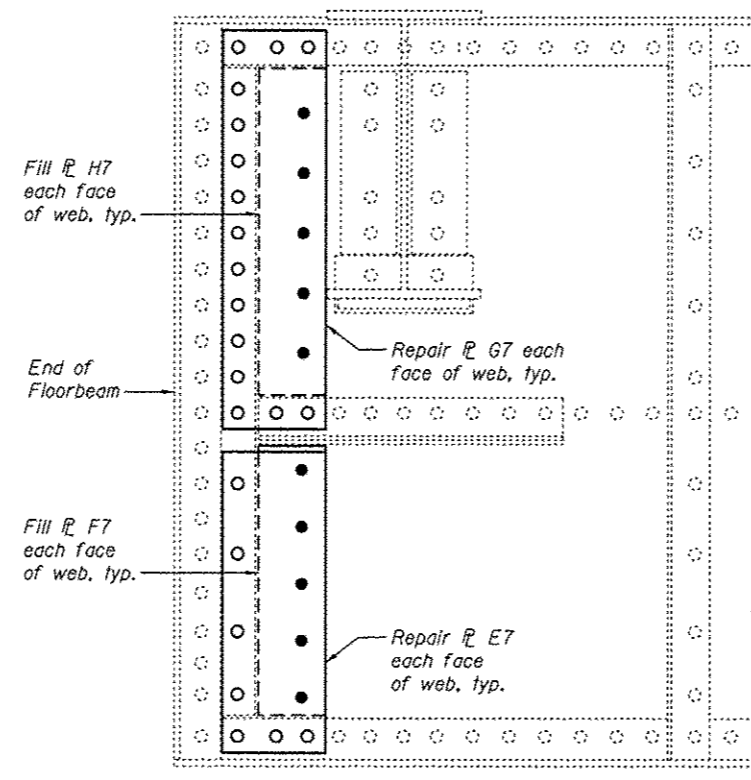


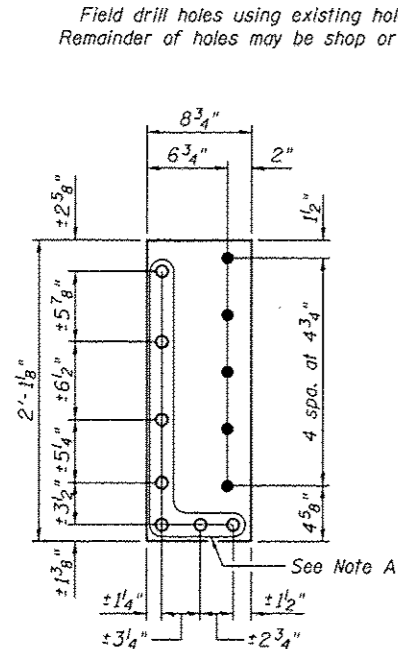
**NORTH END AT PANEL POINT L16**  
West face shown  
Span 10



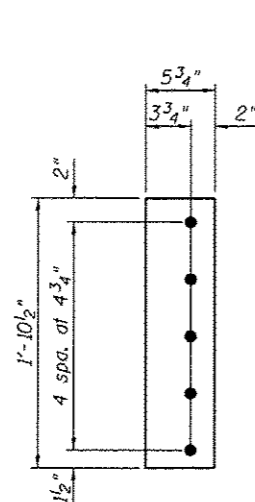
**NORTH END AT PANEL POINT L19**  
West face shown  
Span 10

**FLOORBEAM WEB REPAIRS**

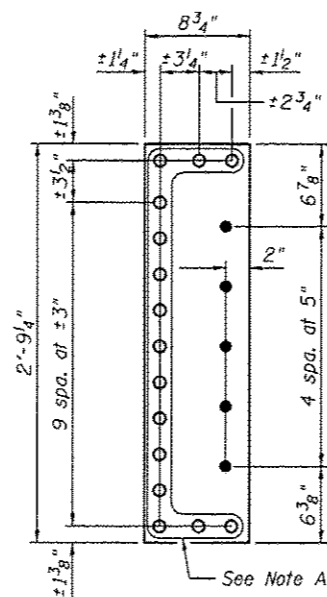
Note A:  
Field drill holes using existing holes as template.  
Remainder of holes may be shop or field drilled.



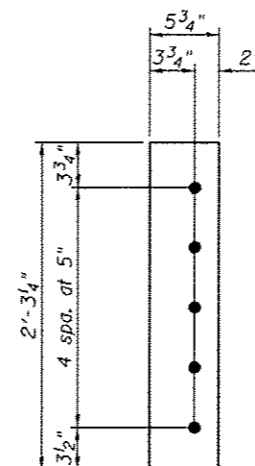
**REPAIR P A7**  
P 3/8" x 8 3/4" x 2'-1 1/8"



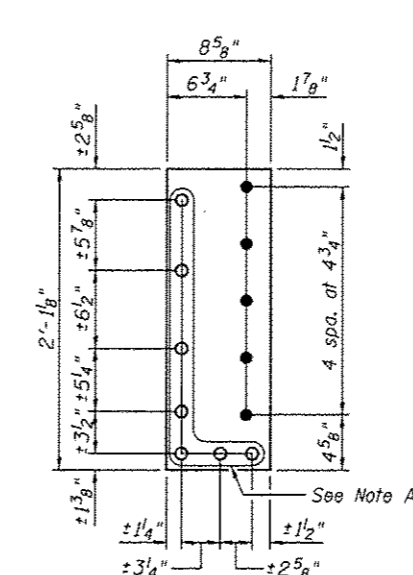
**FILL P B7**  
P 9/16" x 5 3/4" x 1'-10 1/2"



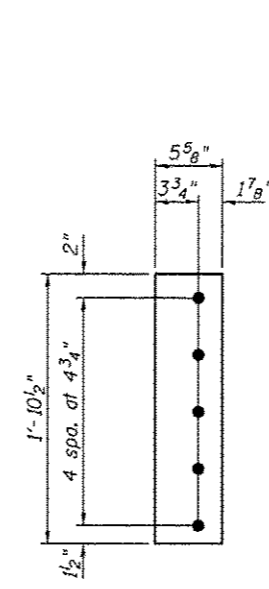
**REPAIR P C7**  
P 3/8" x 8 3/4" x 2'-9 1/4"



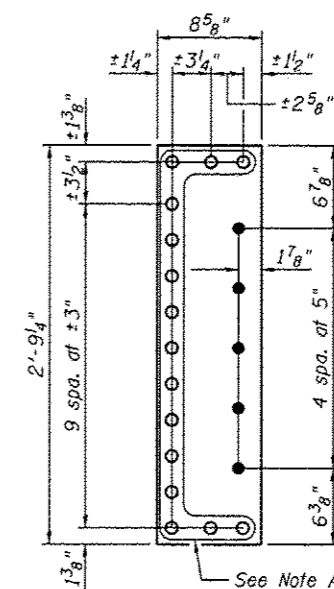
**FILL P D7**  
P 9/16" x 5 3/4" x 2'-3 1/4"



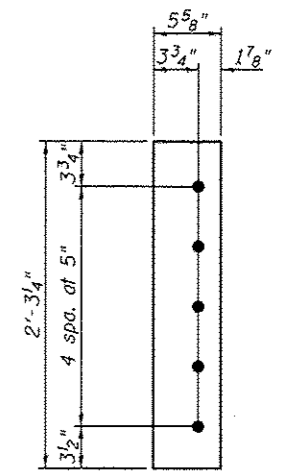
**REPAIR P E7**  
P 3/8" x 8 5/8" x 2'-1 1/8"



**FILL P F7**  
P 9/16" x 5 5/8" x 1'-10 1/2"



**REPAIR P G7**  
P 3/8" x 8 5/8" x 2'-9 1/4"



**FILL P H7**  
P 9/16" x 5 5/8" x 2'-3 1/4"

**BILL OF MATERIAL**

Item	Unit	Total
Structural Steel Repair	Pound	460



USER NAME *	DESIGNED - PRC	REVISED
PLOT SCALE *	CHECKED - CDB	REVISED
PLOT DATE * 03/28/2014	DRAWN - PRC	REVISED
	CHECKED - CDB	REVISED

STATE OF ILLINOIS  
DEPARTMENT OF TRANSPORTATION

MAIN SPANS FLOORBEAM WEB REPAIRS - 7  
S.N. 082-6001 MLK BRIDGE OVER MISSISSIPPI RIVER

SHEET NO. 571 OF 5138 SHEETS

F.A.P. RTE.	SECTION	COUNTY	TOTAL SHEETS	SHEET NO.
799	1BR, DRS-2	ST. CLAIR	156	89
			CONTRACT NO. 76B03	
ILLINOIS FED. AID PROJECT				