

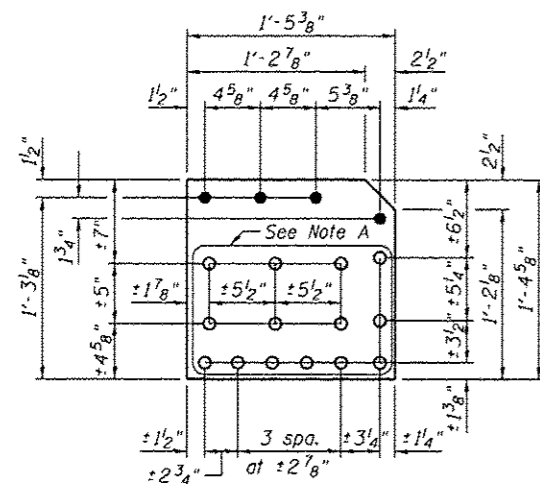
NORTH END AT PANEL POINT L21' AND L23'
EAST FACE
(Span 10)

NORTH END AT PANEL POINT L21' AND L23'
WEST FACE
(Span 10)

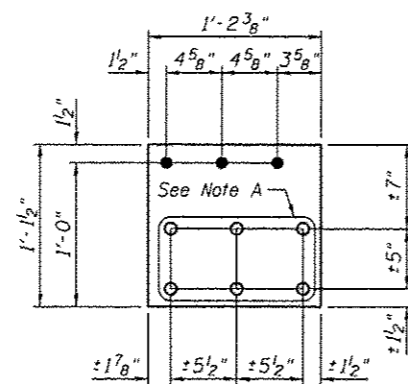
FLOORBEAM WEB REPAIRS

Note: L21' shown, L23' similar

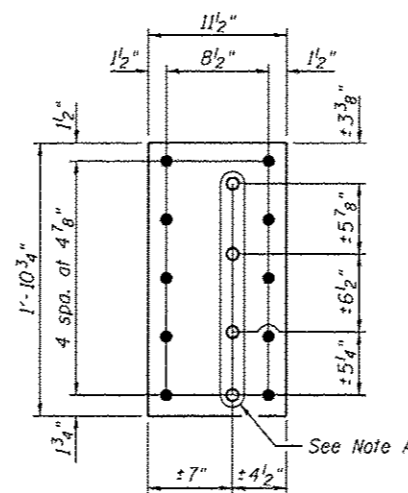
Note A:
Field drill holes using existing holes as template.
Remainder of holes may be shop or field drilled.



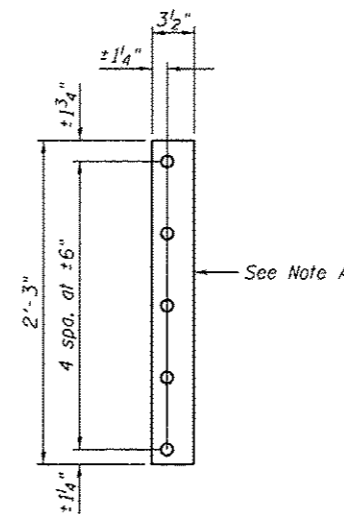
REPAIR R AB
R 3/8" x 16 5/8" x 1'-5 3/8"



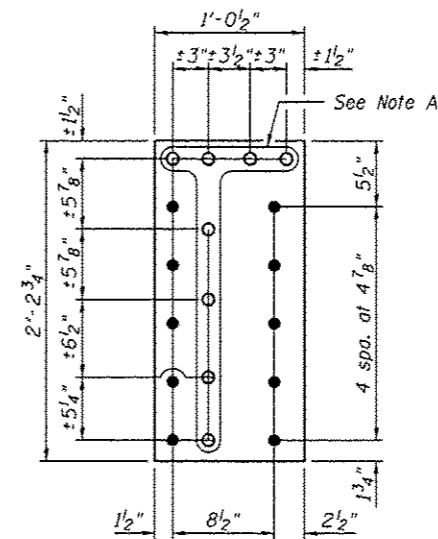
FILL R B8
R 9/16" x 13 1/2" x 1'-2 3/8"



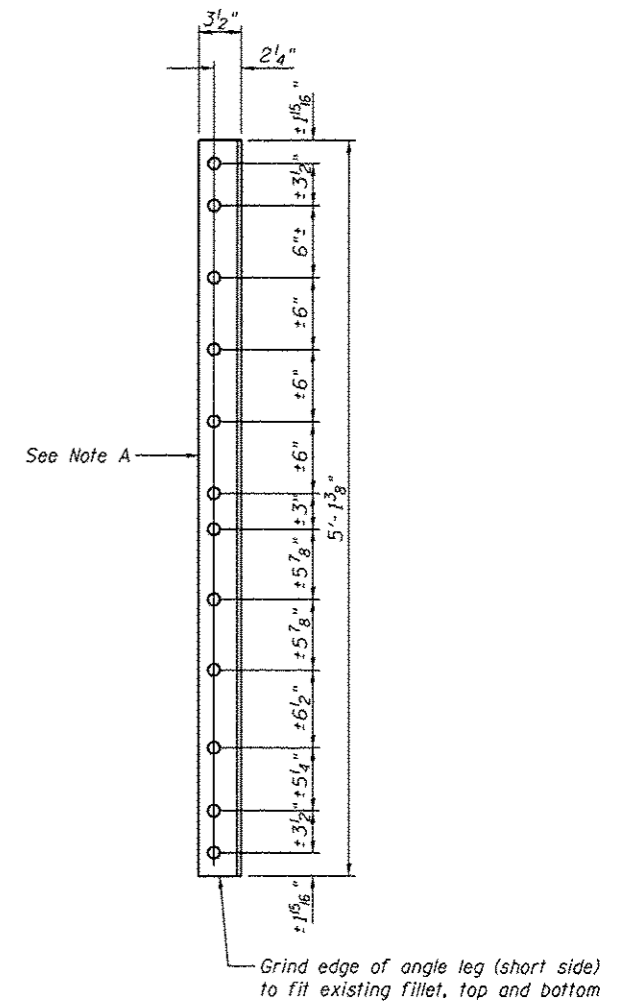
REPAIR R CB
R 3/8" x 11 1/2" x 1'-10 3/4"



FILL R DB
R 9/16" x 3 1/2" x 2'-3"



REPAIR R E8
R 9/16" x 12 1/2" x 2'-2 3/4"



REPAIR ANGLE F8
L5x3 1/2 x 5/16 x 5'-1 3/8"

Grind edge of angle leg (short side) to fit existing fillet, top and bottom

BILL OF MATERIAL

Item	Unit	Total
Structural Steel Repair	Pound	480



USER NAME -	DESIGNED - PRC	REVISED
PLOT SCALE -	CHECKED - COB	REVISED
PLOT DATE - 05/02/2014	DRAWN - PRC	REVISED
	CHECKED - COB	REVISED

STATE OF ILLINOIS
DEPARTMENT OF TRANSPORTATION

MAIN SPANS FLOORBEAM WEB REPAIRS - 8
S.N. 082-6001 MLK BRIDGE OVER MISSISSIPPI RIVER

SHEET NO. 572 OF 5138 SHEETS

F.A.P. RTE. 799	SECTION 1BR. ORS-2	COUNTY ST. CLAIR	TOTAL SHEETS 156	SHEET NO. 90
			CONTRACT NO. 76B03	
(ILLINOIS) FED. AID PROJECT				