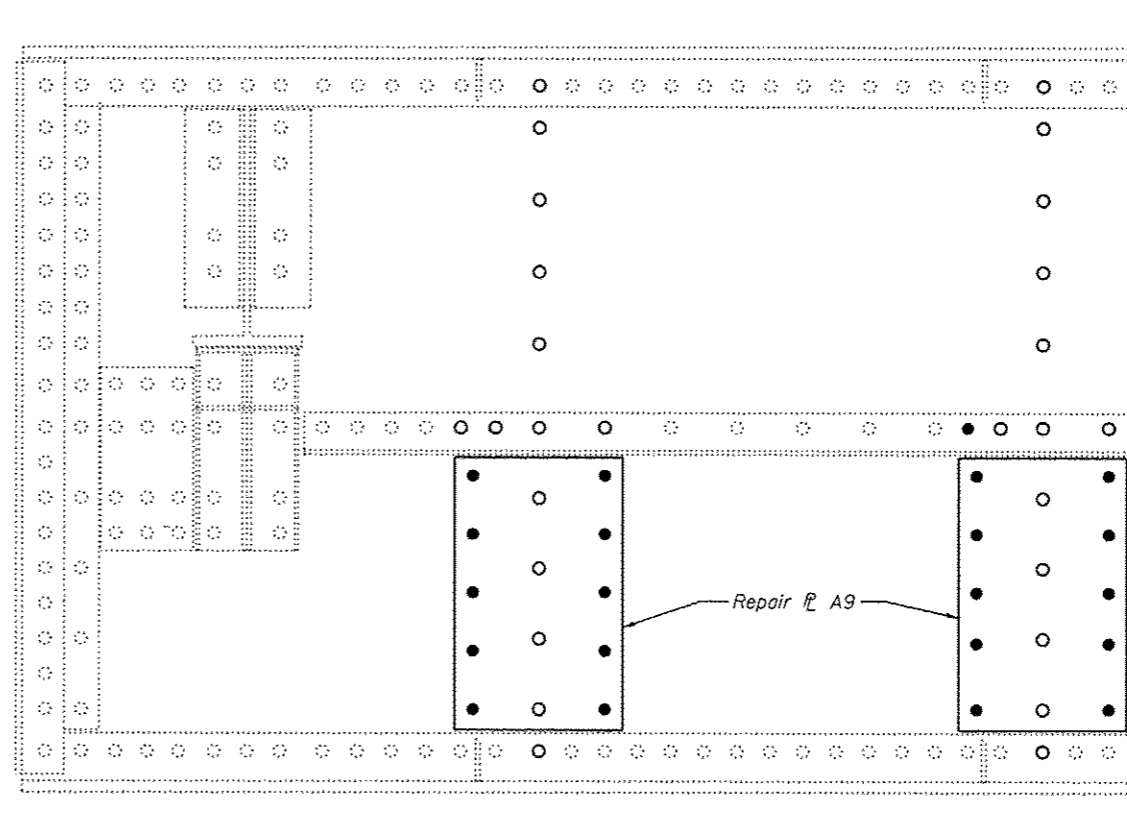
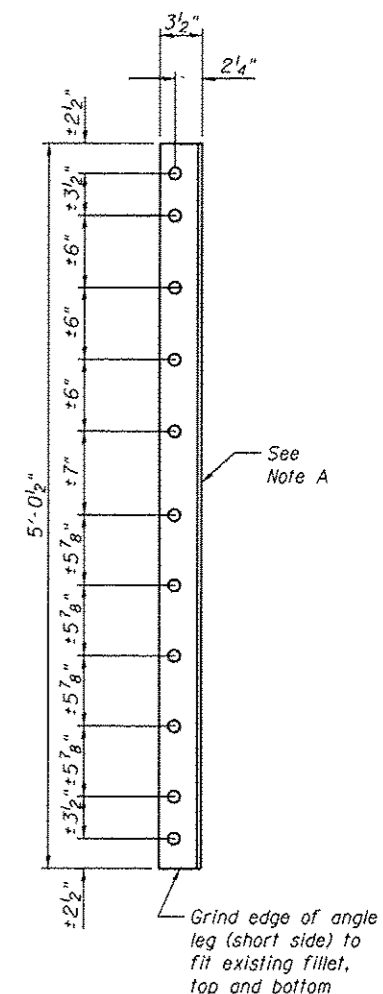


NORTH END AT PANEL POINT L11'
EAST FACE
(Span 11)



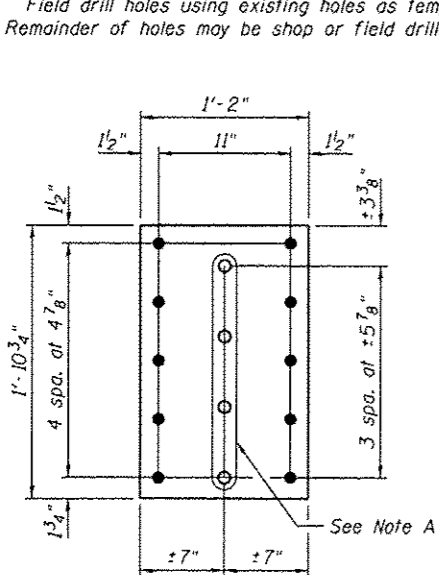
NORTH END AT PANEL POINT L11'
WEST FACE
(Span 11)



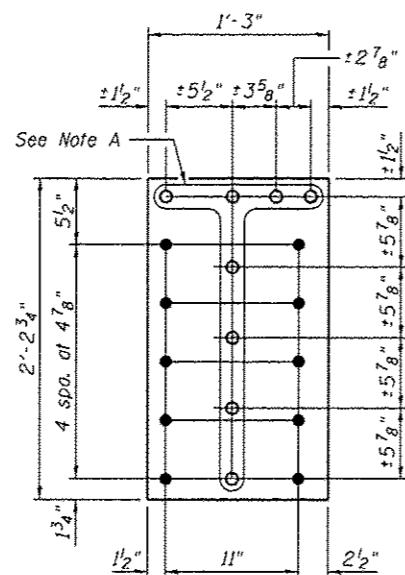
REPAIR ANGLE E9
L5x3 1/2 x 5/16 x 5'-0 1/2"

FLOORBEAM WEB REPAIRS

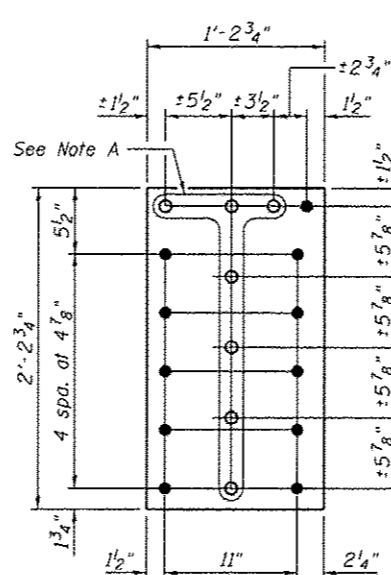
Note A:
Field drill holes using existing holes as template.
Remainder of holes may be shop or field drilled.



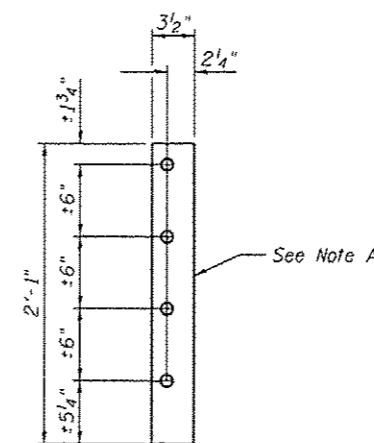
REPAIR PL A9
PL 3/8" x 14" x 1'-10 3/4"



REPAIR PL B9
PL 5/8" x 15" x 2'-2 3/4"



REPAIR PL C9
PL 5/8" x 14 3/4" x 2'-2 3/4"



FILL PL D9
PL 5/8" x 3 1/2" x 2'-1"

BILL OF MATERIAL

Item	Unit	Total
Structural Steel Repair	Pound	380



USER NAME *	DESIGNED - PRC	REVISED
PLOT SCALE *	CHECKED - COB	REVISED
PLOT DATE = 05/02/2014	DRAWN - PRC	REVISED
	CHECKED - COB	REVISED

STATE OF ILLINOIS
DEPARTMENT OF TRANSPORTATION

MAIN SPANS FLOORBEAM WEB REPAIRS - 9
S.N. 082-6001 MLK BRIDGE OVER MISSISSIPPI RIVER

SHEET NO. 573 OF 5138 SHEETS

F.A.P. RTE.	SECTION	COUNTY	TOTAL SHEETS	SHEET NO.
799	1BR, ORS-2	ST. CLAIR	156	91
CONTRACT NO. 76803				
ILLINOIS FED. AID PROJECT				