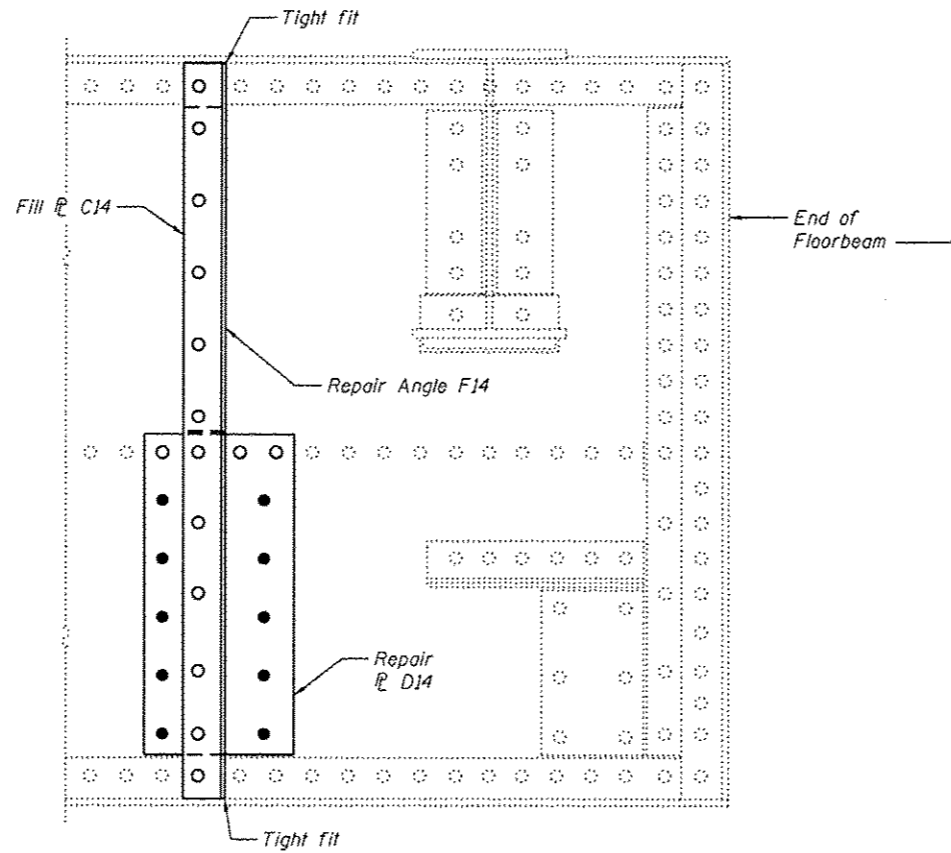
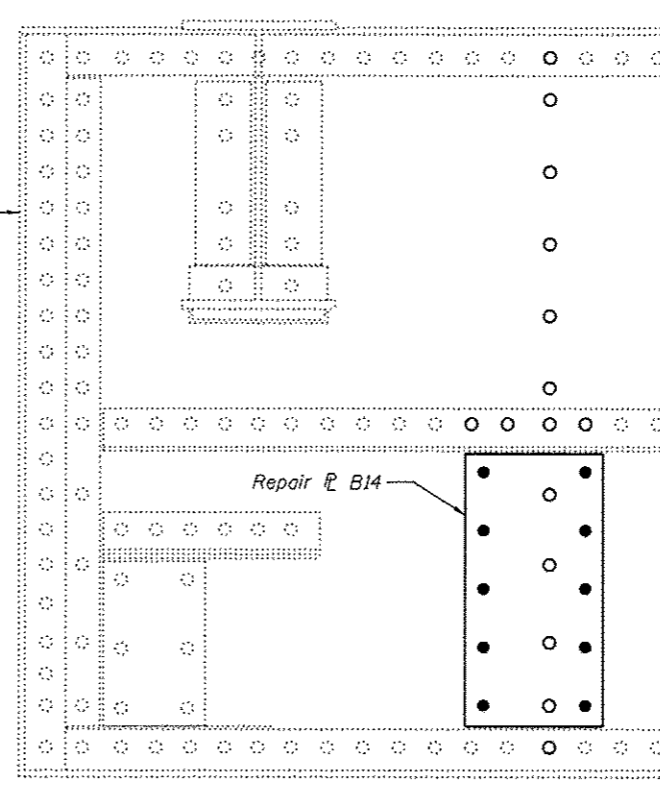


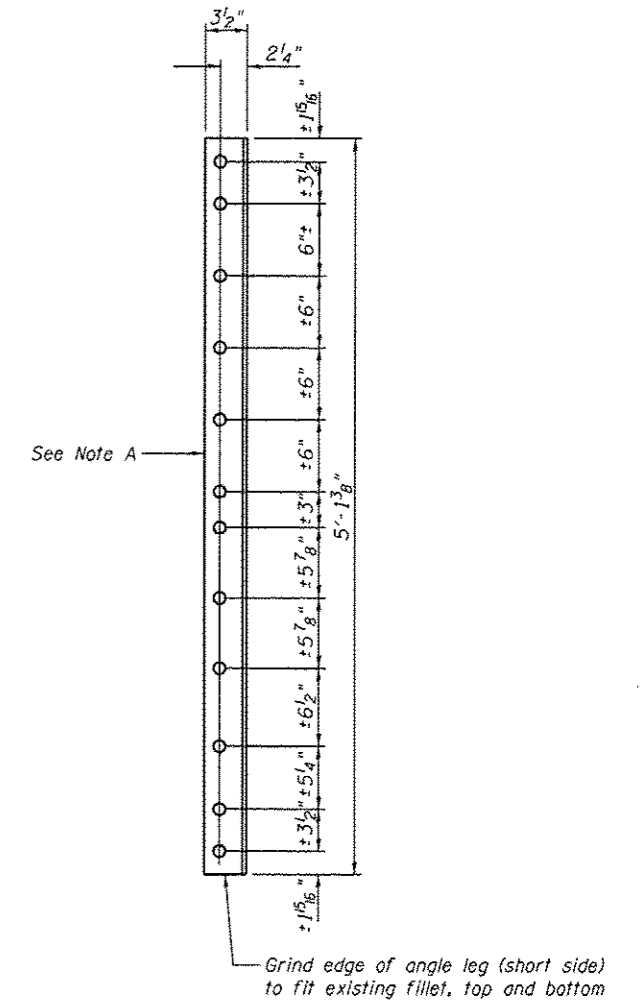
NORTH END AT PANEL POINT L21
East face shown
(Span 10)



SOUTH END AT PANEL POINT L21 WEST FACE
(Span 10)

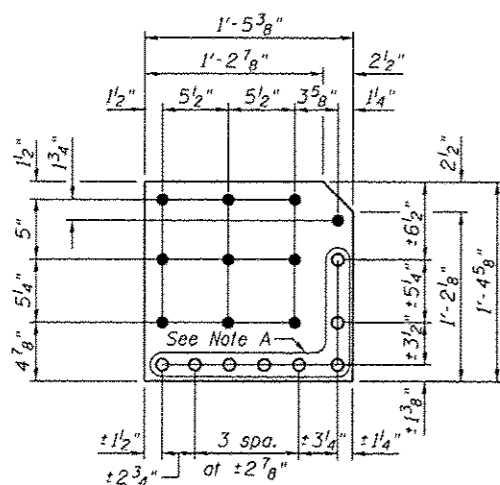


SOUTH END AT PANEL POINT L21 EAST FACE
(Span 10)

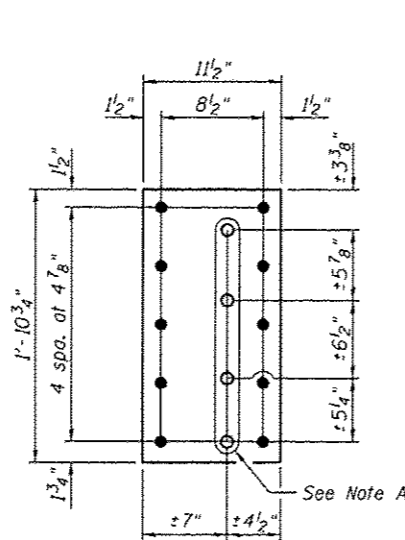


REPAIR ANGLE F14
L5x3 1/2 x 5/16 x 5'-1 3/8"

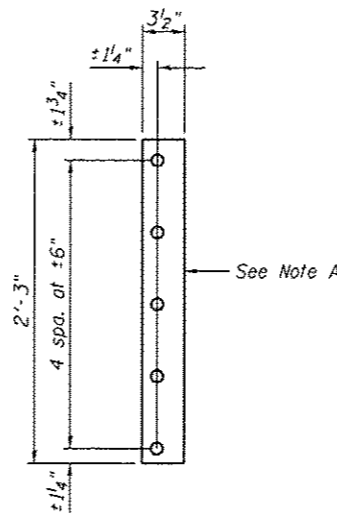
Note A:
Field drill holes using existing holes as template.
Remainder of holes may be shop or field drilled.



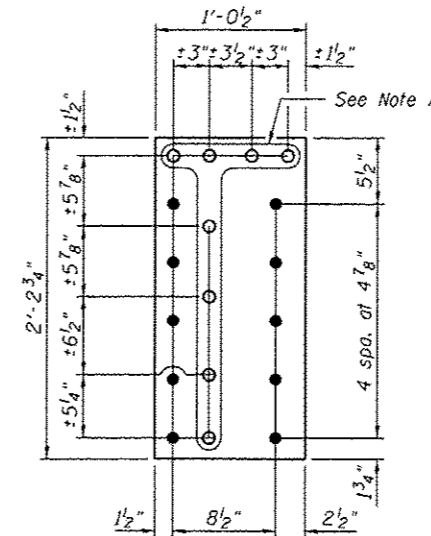
REPAIR R A14
R 3/8" x 16 5/8" x 1'-5 3/8"



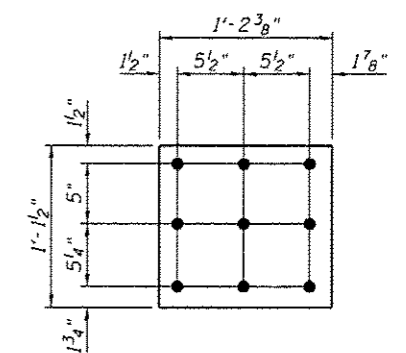
REPAIR R B14
R 3/8" x 11 1/2" x 1'-10 3/4"



FILL R C14
R 9/16" x 3 1/2" x 2'-3"



REPAIR R D14
R 9/16" x 12 1/2" x 2'-2 3/4"



FILL R E14
R 9/16" x 13 1/2" x 1'-2 3/8"

BILL OF MATERIAL

Item	Unit	Total
Structural Steel Repair	Pound	310



USER NAME *	DESIGNED - PRC	REVISED
PLLOT SCALE *	CHECKED - CDB	REVISED
PLLOT DATE *	DRAWN - PRC	REVISED
	CHECKED - CDB	REVISED

STATE OF ILLINOIS
DEPARTMENT OF TRANSPORTATION

MAIN SPANS FLOORBEAM WEB REPAIRS - 14
S.N. 082-6001 MLK BRIDGE OVER MISSISSIPPI RIVER

SHEET NO. 578 OF 5138 SHEETS

F.A.P. RTE. 799	SECTION 1BR, DRS-2	COUNTY ST. CLAIR	TOTAL SHEETS 156	SHEET NO. 96
ILLINOIS FED. AID PROJECT			CONTRACT NO. 76B03	