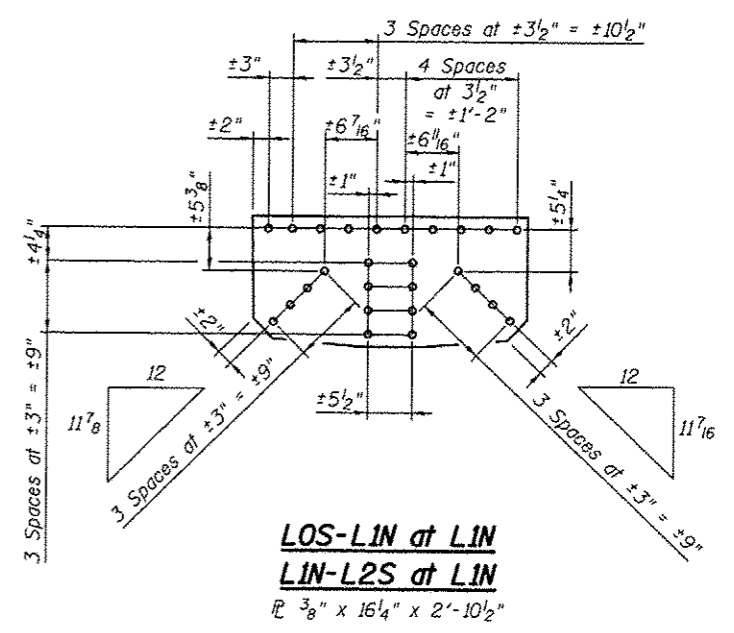
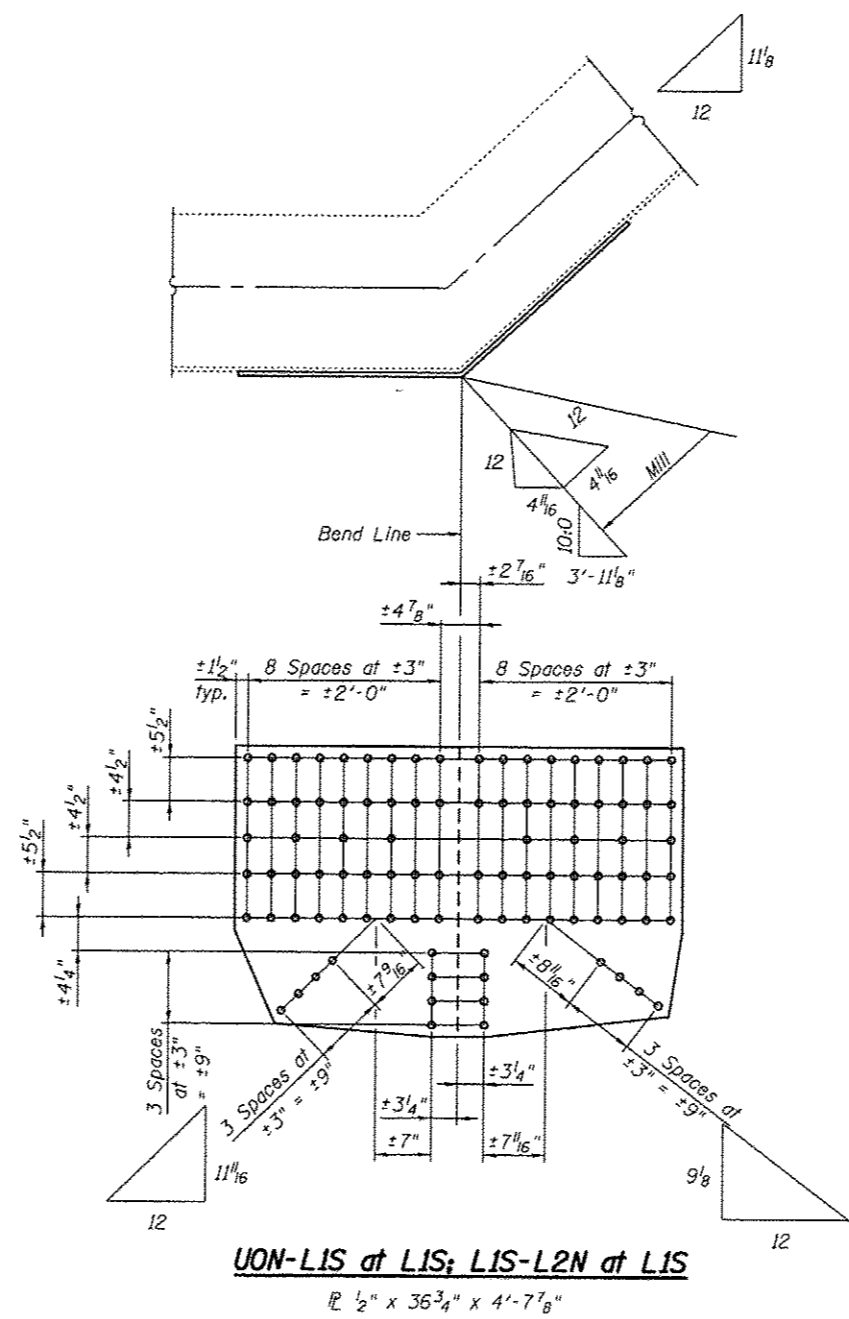


**SPAN 12**



**SPAN 13**

**BILL OF MATERIAL**

Item	Unit	Total
Structural Steel Repair	Pound	1590

Note:  
 Field drill holes using existing holes as template.



USER NAME =	DESIGNED - CDB	REVISED
PLOT SCALE =	CHECKED - AEC	REVISED
PLOT DATE = 03/20/2014	DRAWN - AEC	REVISED
	CHECKED - CDB	REVISED

STATE OF ILLINOIS  
 DEPARTMENT OF TRANSPORTATION

ILLINOIS APPROACH BOTTOM LATERAL CONNECTION PLATE  
 REPLACEMENTS SPANS 12 AND 13  
 S.N. 082-6001 MLK BRIDGE OVER MISSISSIPPI RIVER

F.A.P. RTE.	SECTION	COUNTY	TOTAL SHEETS	SHEET NO.
799	IBR, DRS-2	ST. CLAIR	156	103

CONTRACT NO. 76B03