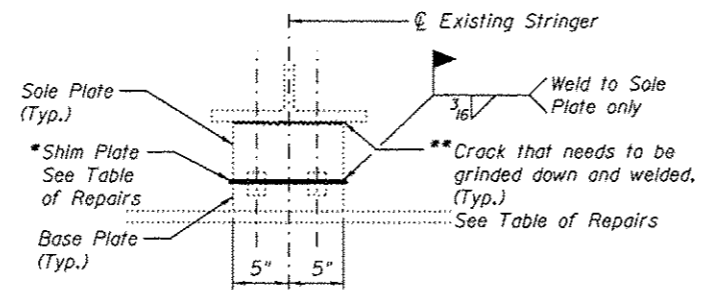
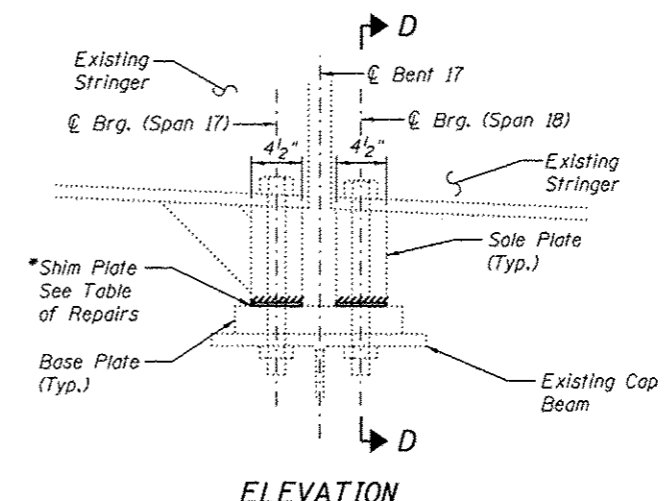


ELEVATION

BEARINGS FOR S2, S3, S4, S5, S6, AND S7 AT BENT W

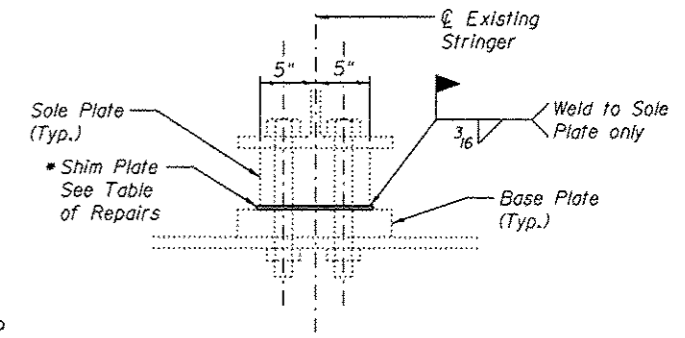


SECTION A-A

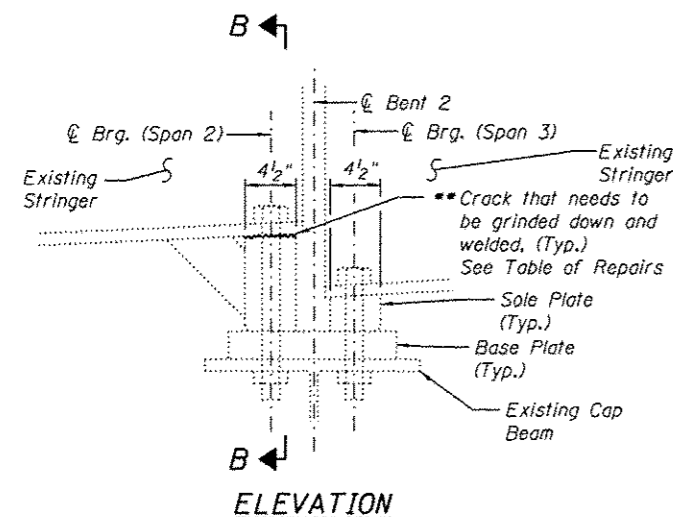


ELEVATION

BEARINGS FOR S2, S3, AND S6 AT BENT 17

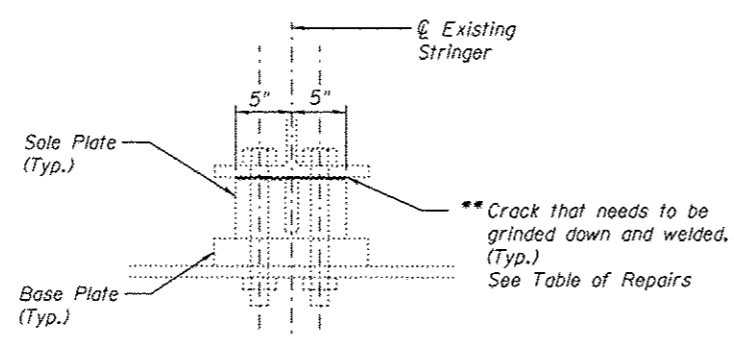


SECTION D-D

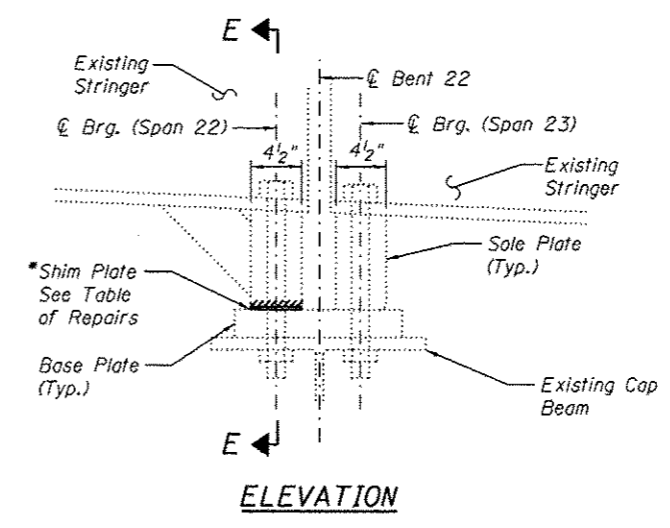


ELEVATION

BEARINGS FOR S3 AT BENT 2

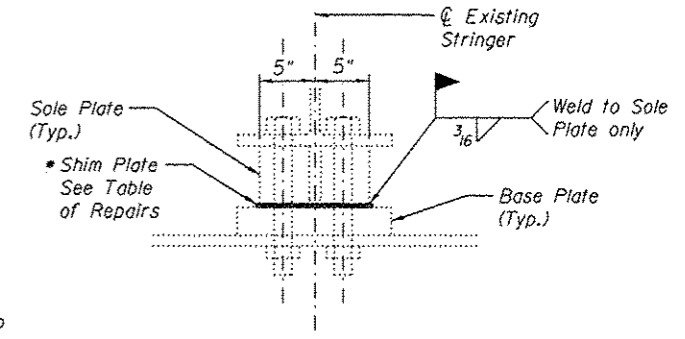


SECTION B-B

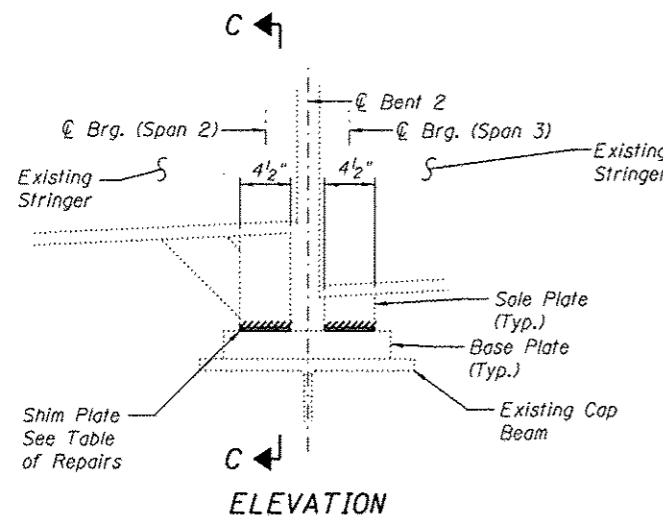


ELEVATION

BEARINGS FOR S2 AT BENT 22

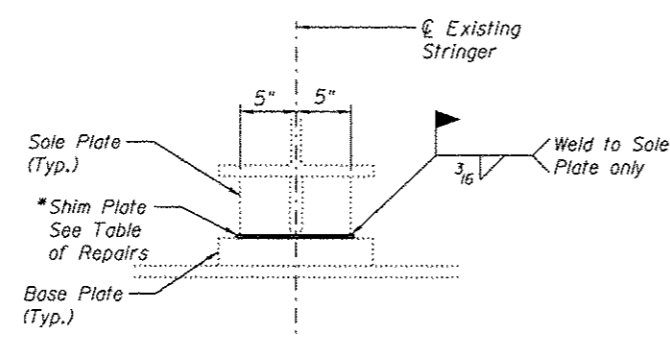


SECTION E-E

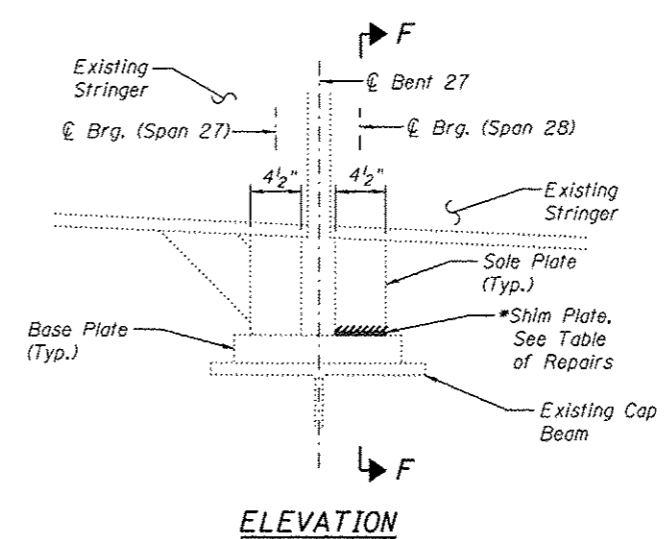


ELEVATION

BEARINGS FOR S4 AT BENT 2

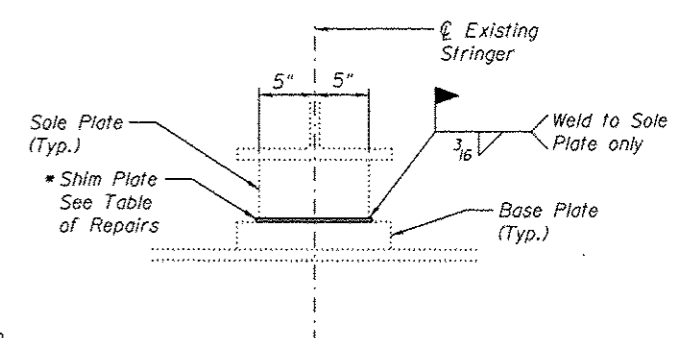


SECTION C-C



ELEVATION

BEARINGS FOR S4 AT BENT 27



SECTION F-F

Notes:
 See Sheet S090 of S138 for Bearing locations, other details, Table of Repairs and notes.
 See Illinois Approach bent repair sheets for details of existing 3/4" H.S. bolt repairs at Stringer 3 on Bent 17.

(Sheet 1 of 2)



USER NAME	DESIGNED - JJA	REVISED -
FILE NAME	CHECKED - TBP	REVISED -
PLOT SCALE	DRAWN - AJF	REVISED -
PLOT DATE	CHECKED - VPT	REVISED -

STATE OF ILLINOIS
 DEPARTMENT OF TRANSPORTATION

BEARING REPAIRS
 S.N. 082-6001 MLK BRIDGE OVER MISSISSIPPI RIVER

F.A.P. RTE.	SECTION	COUNTY	TOTAL SHEETS	SHEET NO.
799	IBR, ORS-2	ST. CLAIR	186	107
			CONTRACT NO. 76B03	
ILLINOIS FED. AID PROJECT				

SHEET NO. S089 OF S138 SHEETS