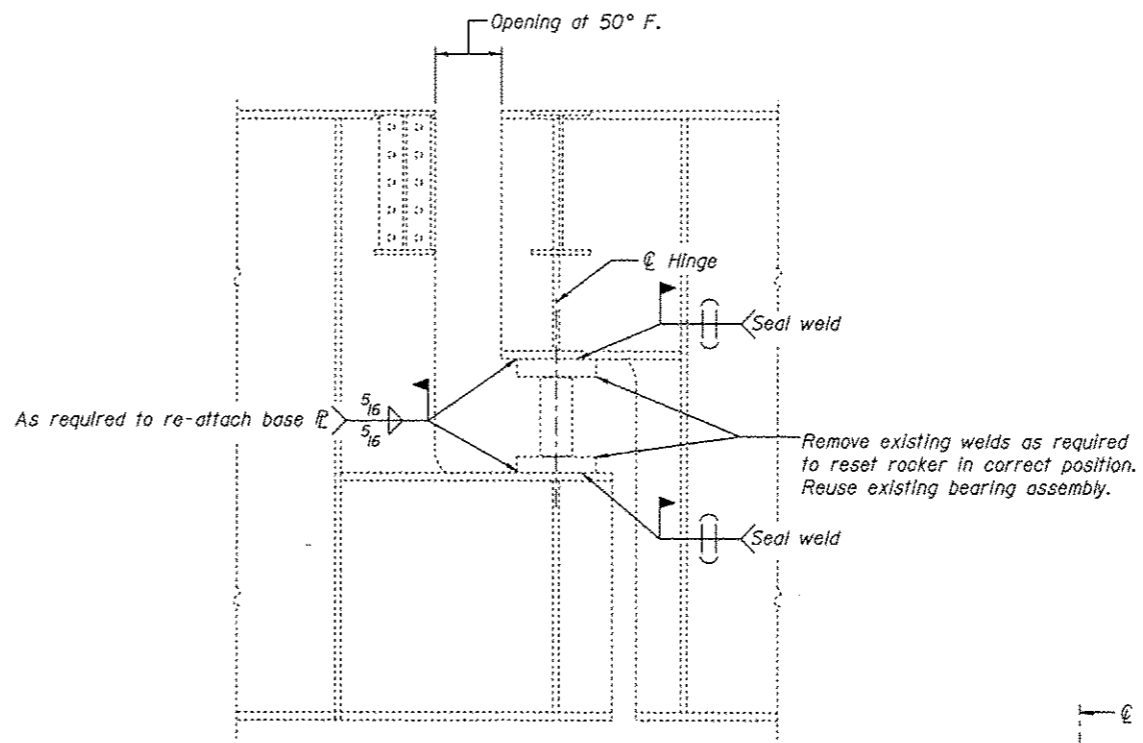
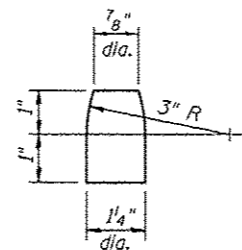


* Abandon existing holes and/or slot existing holes as required, maintain minimum edge distance

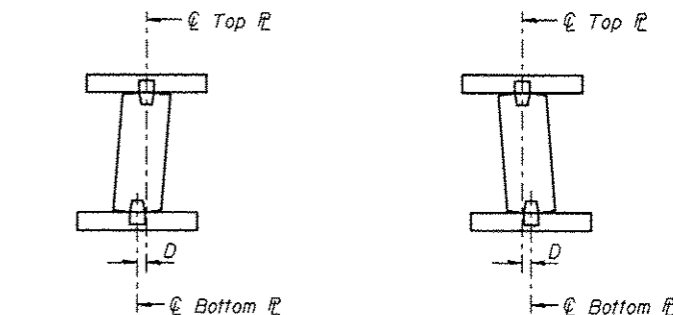


**BEARING REPAIR AT SPAN 6 HINGE
INTERIOR GIRDERS 3 AND 5**
Near Bent 4

**BEARING REPAIR AT SPAN 6 HINGE
EXTERIOR GIRDERS 1 AND 7**
Near Bent 4



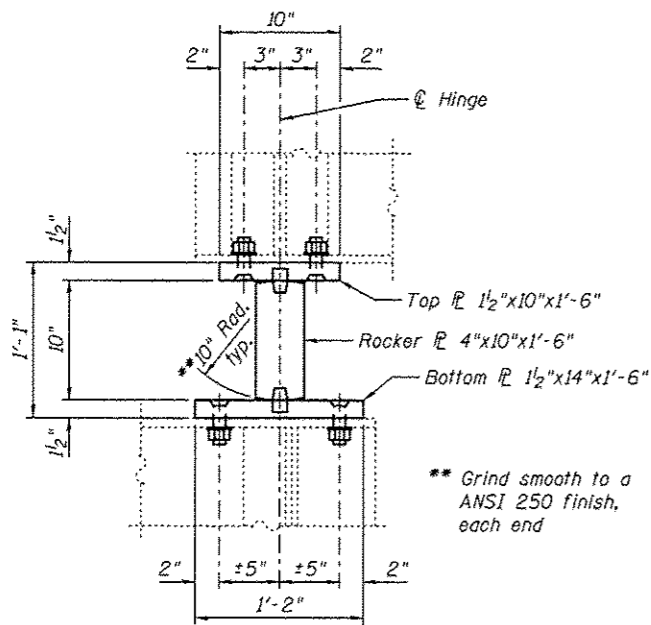
PINTLE DETAIL



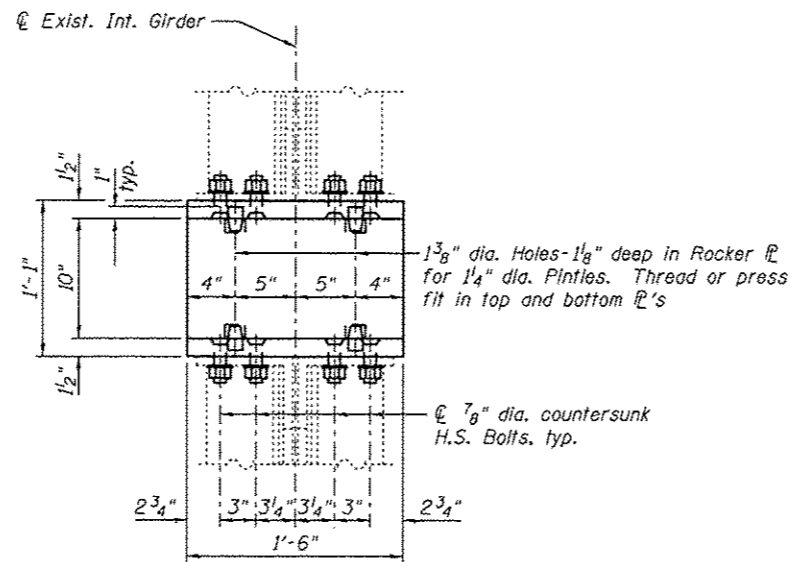
BELOW 50° F.
(Move bottom brg. away from fixed brg. at Bent 6)

ABOVE 50° F.
(Move bottom brg. toward fixed brg. at Bent 6)

SETTING ROCKER PLATE AT HINGE BEARING
 $D = \frac{1}{8}$ " per each 100' of expansion for every 15° temp. change from the normal temp. of 50° F.



LONGITUDINAL ELEVATION



TRANSVERSE ELEVATION

HINGE BEARING DETAILS

Note:
Remove existing plates using the air-arc method and grind smooth all weld material remaining on the plates and flanges. After removal of the weld, the base metal shall be checked for cracks using dye penetrant (PT), magnetic particle (MT), or other approved testing method performed by the qualified personnel approved by the Engineer. If cracks are found, report them to the Bureau of Bridges and Structures for disposition. The cost of testing is included in Structural Steel Repair. The cost of crack repair in the base metal if necessary will be paid for according to Article 109.04 of the Std. Spec. If no cracks are present then a weld of the same size and type shall be replaced.

Procedure
Contractor shall field verify existing position of rockers and determine misalignment. Contractor shall jack existing superstructure, remove, replace and reset rocker assemblies as required to correct the position. Cost of jacking will be paid for as Jacking Existing Superstructure. Cost of repair shall be paid for as Structural Steel Repair.

BILL OF MATERIAL

Item	Unit	Total
Structural Steel Repair	Pound	820
Jacking Existing Superstructure	L. Sum	1



USER NAME =	DESIGNED - PRC	REVISED
	CHECKED - JMH	REVISED
PLOT SCALE =	DRAWN - PRC	REVISED
PLOT DATE = 03/20/2014	CHECKED - JMH	REVISED

**STATE OF ILLINOIS
DEPARTMENT OF TRANSPORTATION**

BEARING REPAIRS - 3
S.N. 082-6001 MLK BRIDGE OVER MISSISSIPPI RIVER

SHEET NO. 591 OF 5138 SHEETS

F.A.P. RTE. 799	SECTION 1BR, ORS-2	COUNTY ST. CLAIR	TOTAL SHEETS 156	SHEET NO. 109
			CONTRACT NO. 76B03	
ILLINOIS FED. AID PROJECT				