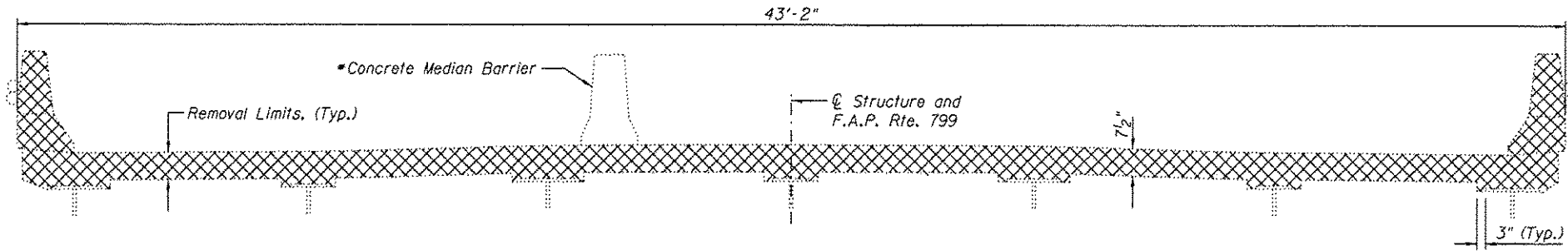
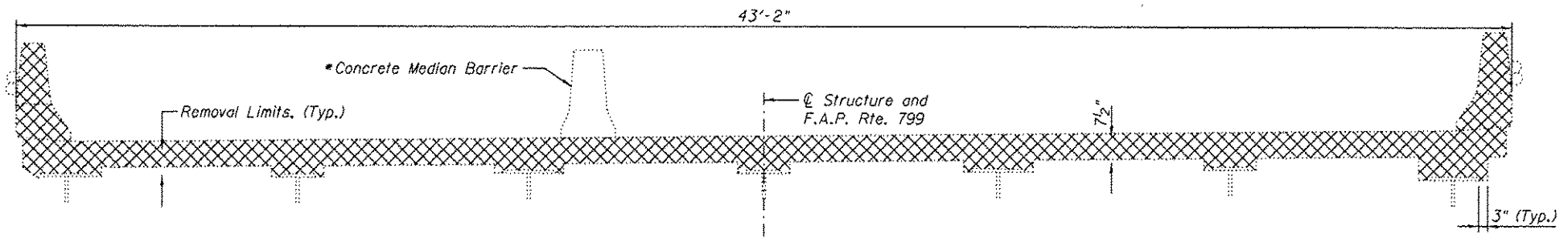


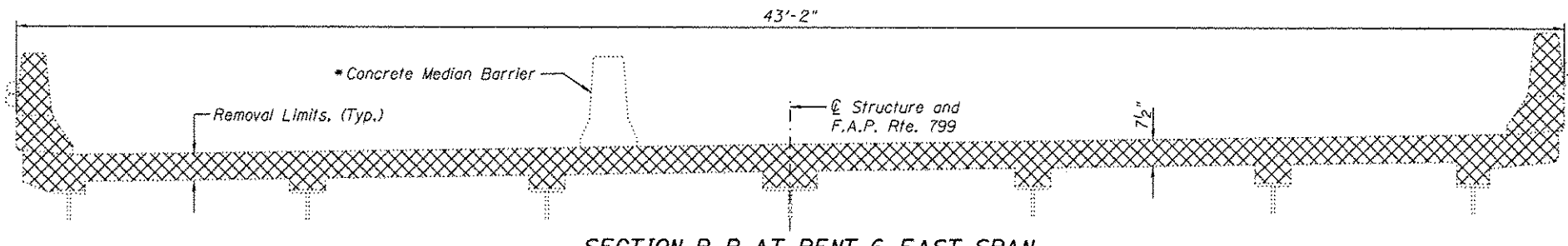
SECTION A-A AT BENTS W-WEST SPAN, 17, 18, 22, 23, 27, AND 28
SECTION B-B AT PIER 13-EAST SPAN



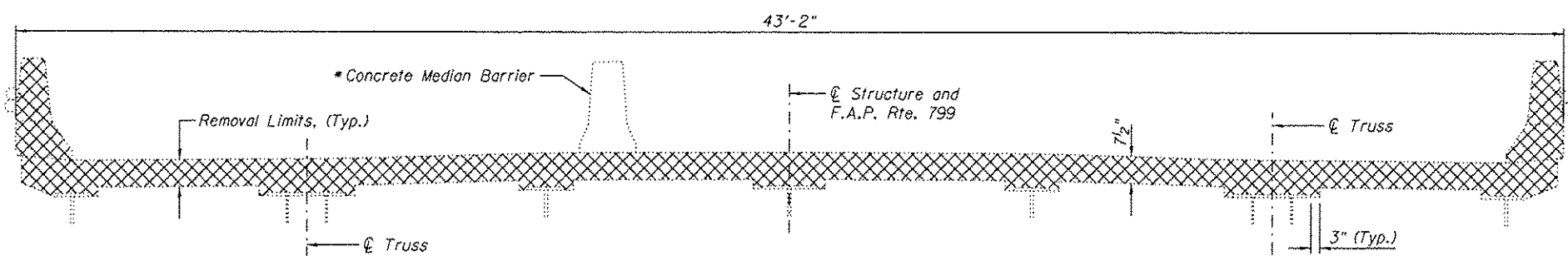
SECTION A-A AT HINGE ON SPAN 6



SECTION A-A AT BENT 6-WEST SPAN



SECTION B-B AT BENT 6-EAST SPAN



SECTION A-A AT PIER 12 AND PIER 13-WEST SPAN
SECTION B-B AT PIER 11-EAST SPAN

*Median barrier over the expansion joint replacement locations shall be temporarily removed and reinstalled once the construction is complete. Cost shall be included with the pay item Concrete Removal.

(Sheet 2 of 2)



USER NAME *	DESIGNED - JJA	REVISED -
FILE NAME *	CHECKED - TBP	REVISED -
PLOT SCALE *	DRAWN - AJF	REVISED -
PLOT DATE *	CHECKED - VPT	REVISED -

STATE OF ILLINOIS
DEPARTMENT OF TRANSPORTATION

CONCRETE REMOVAL
S.N. 082-6001 MLK BRIDGE OVER MISSISSIPPI RIVER
 SHEET NO. 5093 OF 5138 SHEETS

F.A.P. RTE.	SECTION	COUNTY	TOTAL SHEETS	SHEET NO.
799	IBR, DRS-2	ST. CLAIR	156	111
CONTRACT NO. 76B03			ILLINOIS FED. AID PROJECT	