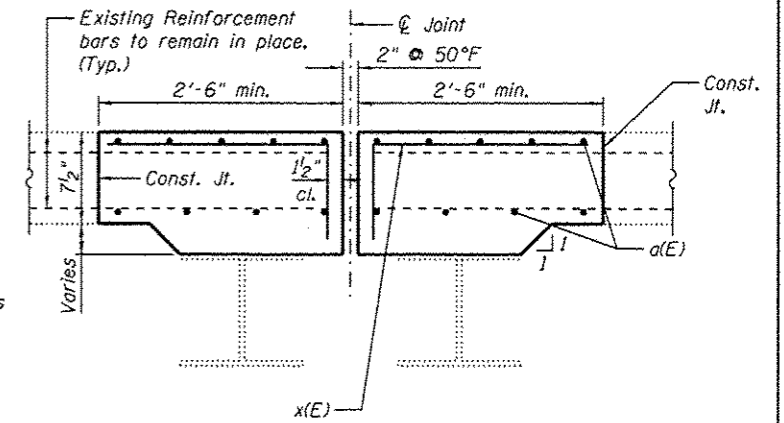
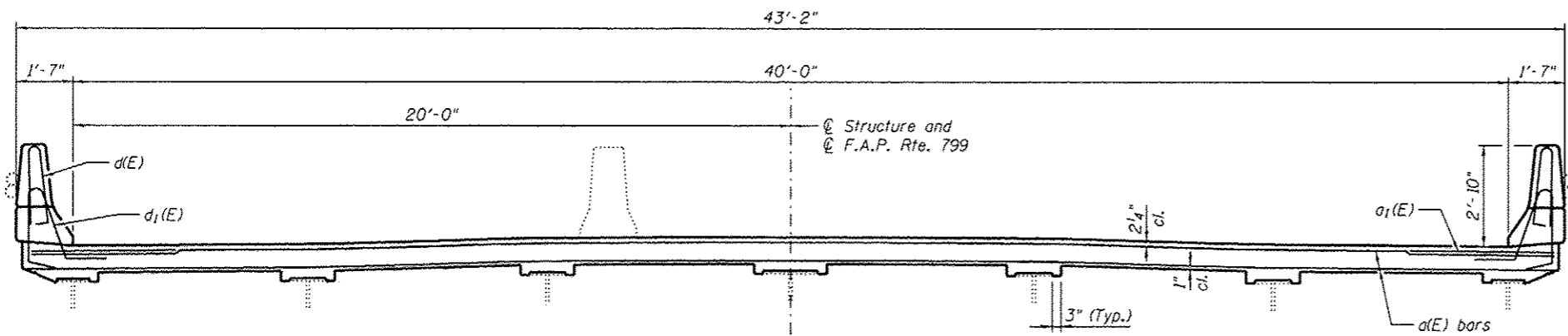


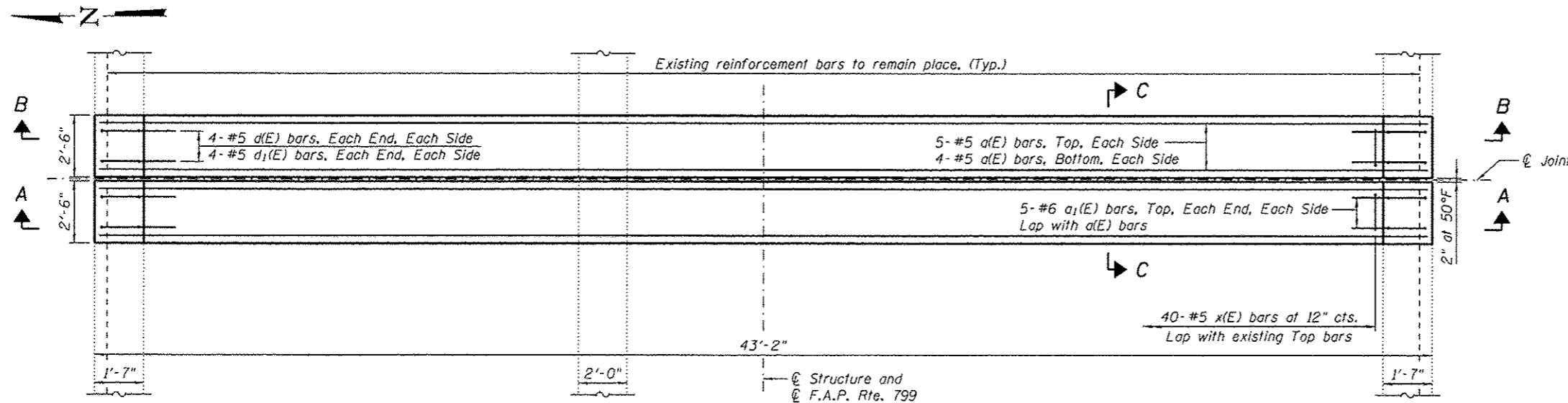
SECTION A-A AT BENTS 2 AND 3-WEST SPAN
SECTION B-B AT BENT W-EAST SPAN



SECTION C-C



SECTION A-A AT BENTS W-WEST SPAN, 17, 18, 22, 23, 27, AND 28



PLAN AT BENT W, 2, 3-WEST SPAN, 17, 18, 22, 23, 27, AND 28

Notes:
For notes, bar details and bill of material for joint replacement, see sheet S097 of S138.
Re-attach existing conduit to parapets. Cost included with Concrete Superstructure.

(Sheet 1 of 4)