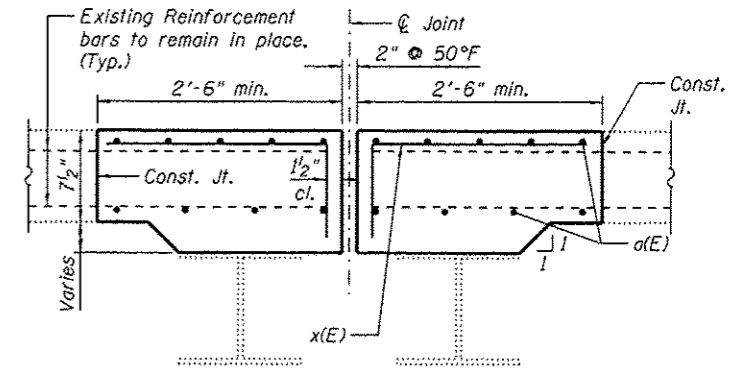
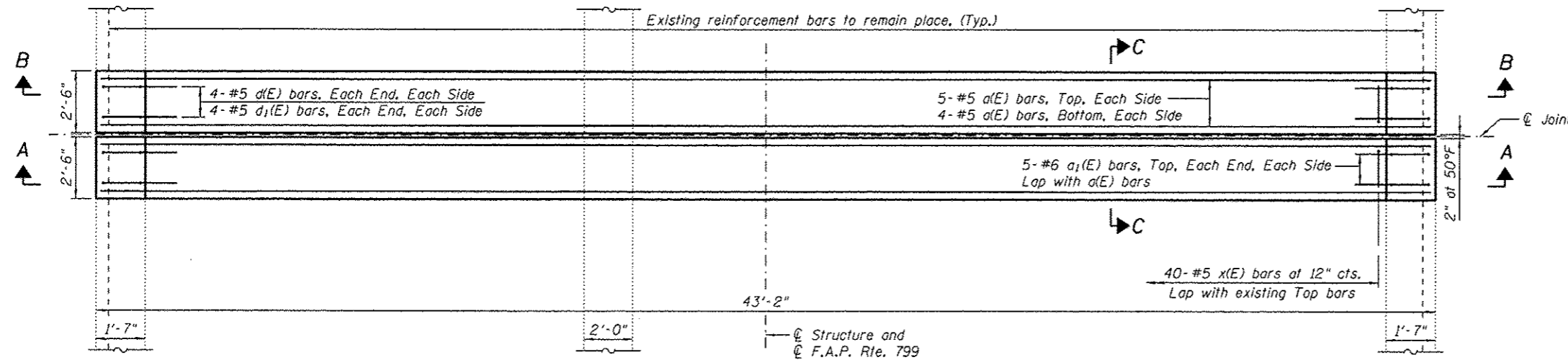
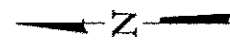


**SECTION A-A AT HINGE ON SPAN 6  
AND SECTION B-B AT BENT 3-EAST SPAN**



**SECTION C-C**



**PLAN AT BENT 3-EAST SPAN AND HINGE ON SPAN 6**

Notes:  
For notes, bar details and bill of material for joint replacement, see sheet S097 of S138.  
Re-attach existing conduit to parapets. Cost included with Concrete Superstructure.

(Sheet 2 of 4)