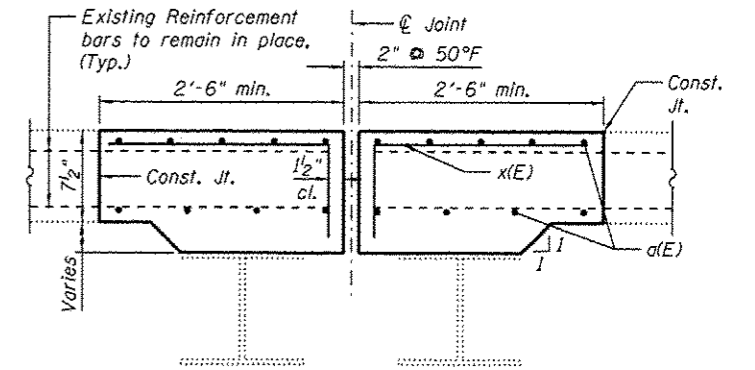
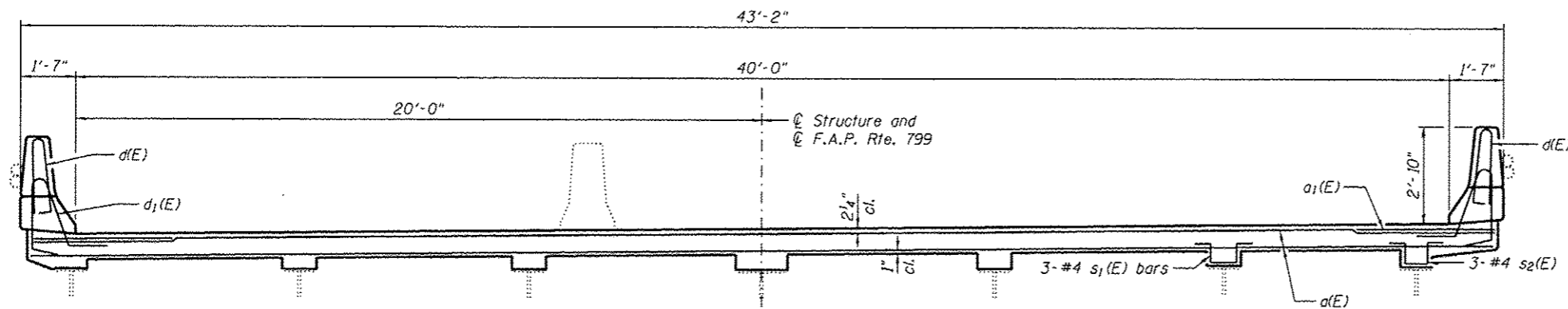


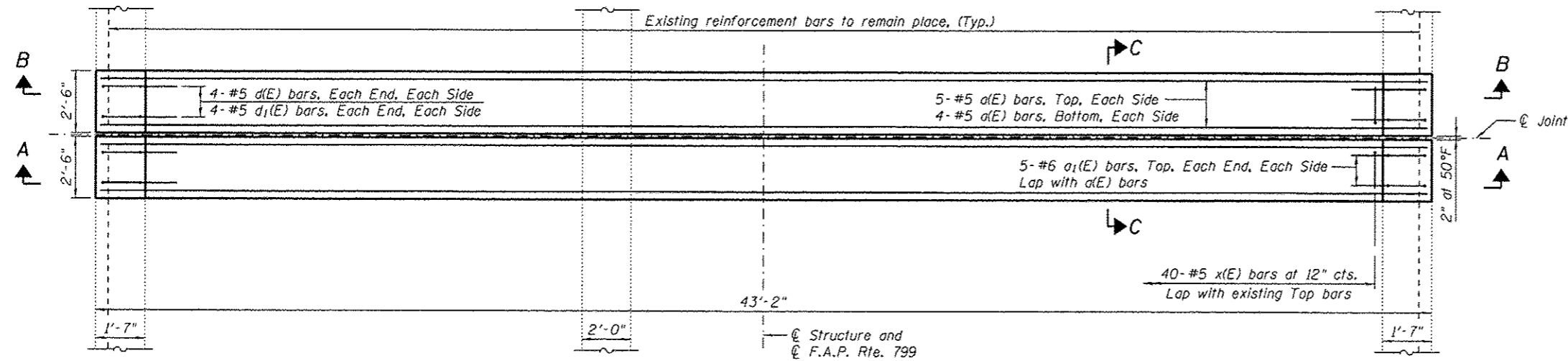
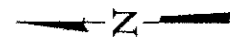
SECTION A-A AT BENT 6-WEST SPAN



SECTION C-C



SECTION B-B BENT 6-EAST SPAN



PLAN AT BENT 6

Notes:  
 For notes, bar details and bill of material for joint replacement, see sheet S097 of S138.  
 Re-attach existing conduit to parapets. Cost included with Concrete Superstructure.

(Sheet 3 of 4)