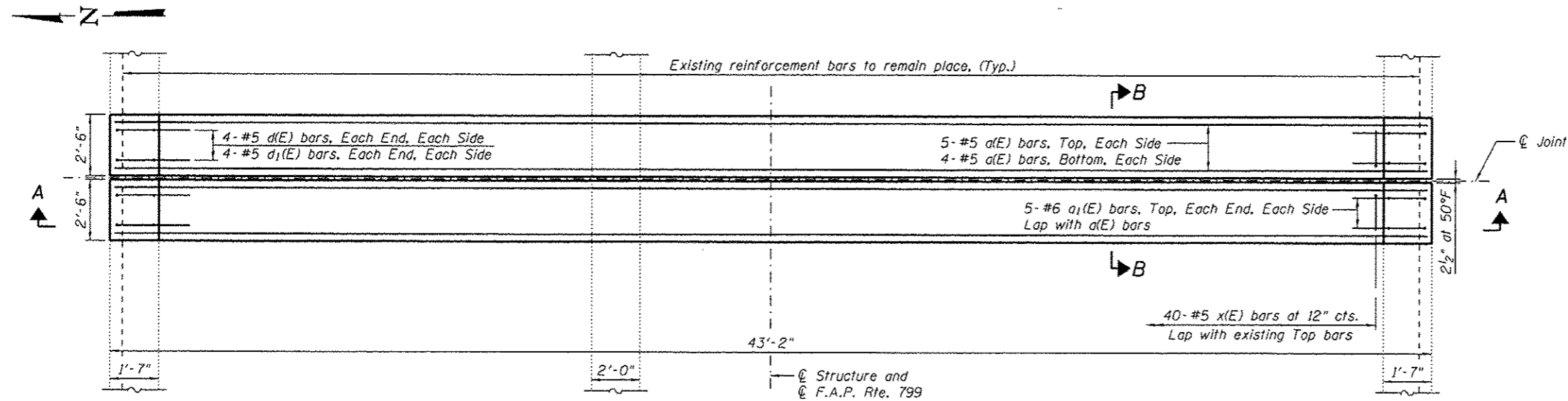
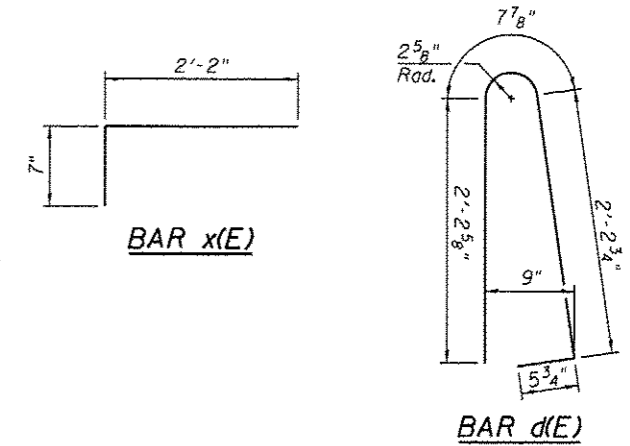
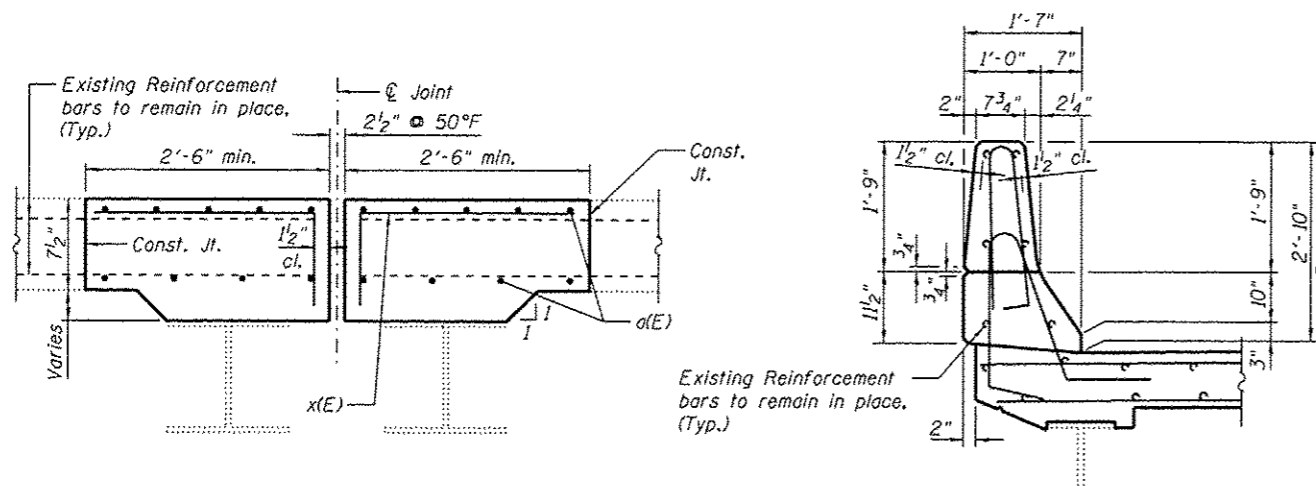
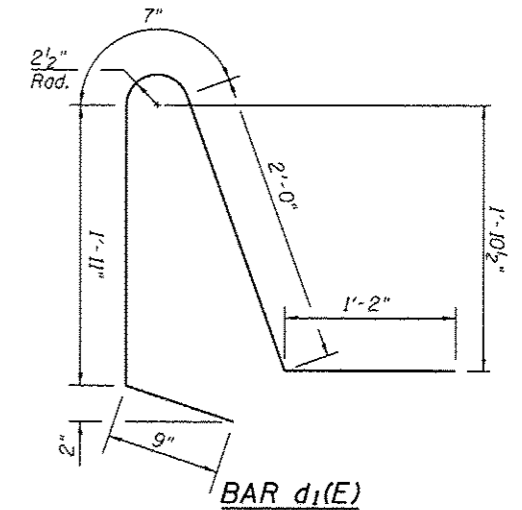


SECTION A-A AT PIER 12

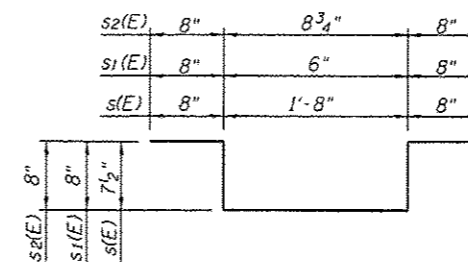


PLAN AT PIER 12



SECTION B-B

SECTION AT PARAPET



BARS s(E), s1(E), AND s2(E)

(Sheet 4 of 4)

BILL OF MATERIAL
(All Strip Seal Joints)

Bar	No.	Size	Length	Shape
d(E)	216	#5	42'-7"	—
a1(E)	240	#6	6'-6"	—
d(E)	192	#5	5'-7"	U
d1(E)	192	#5	6'-5"	U
s(E)	3	#4	4'-3"	U
s1(E)	3	#4	3'-2"	U
s2(E)	3	#4	3'-5"	U
x(E)	960	#5	2'-9"	—
Reinforcement Bars, Epoxy Coated			Pound	17,120
Concrete Superstructure			Cu. Yd.	87.6

Notes:
Existing reinforcement shall be cleaned, straightened (if required) and incorporated into the new construction. Cost included with Concrete Superstructure.
Re-attach existing conduit to parapets. Cost included with Concrete Superstructure.
Quantity of Concrete Superstructure also includes the quantity of concrete removed at Piers 9 and 10 and PPB's. See sheet S092 of S138 for location and other details.