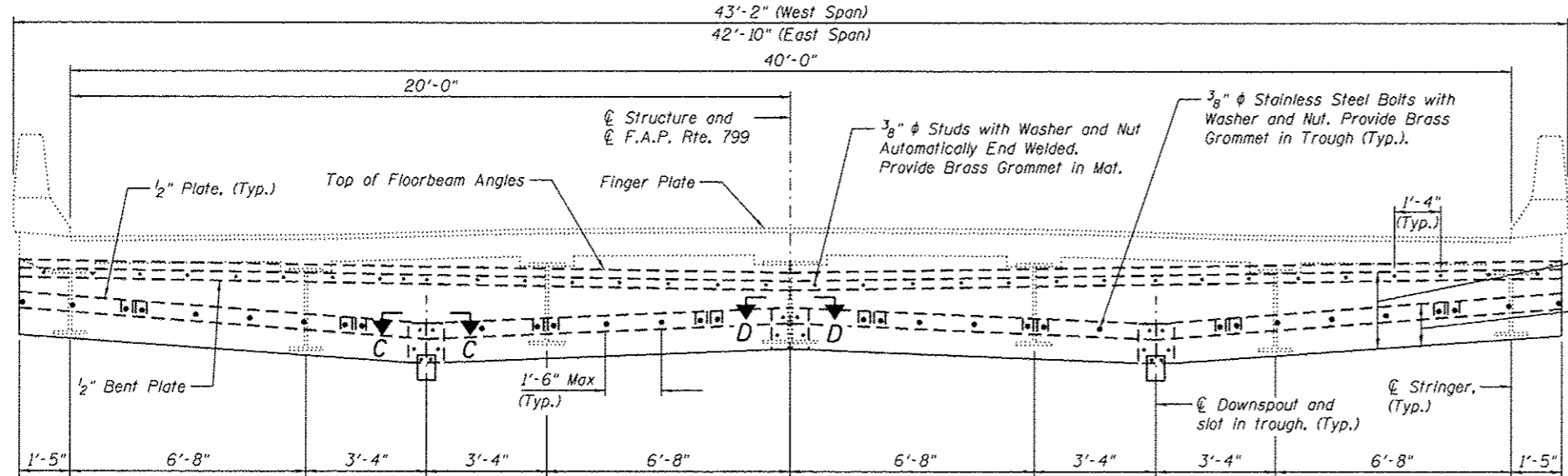
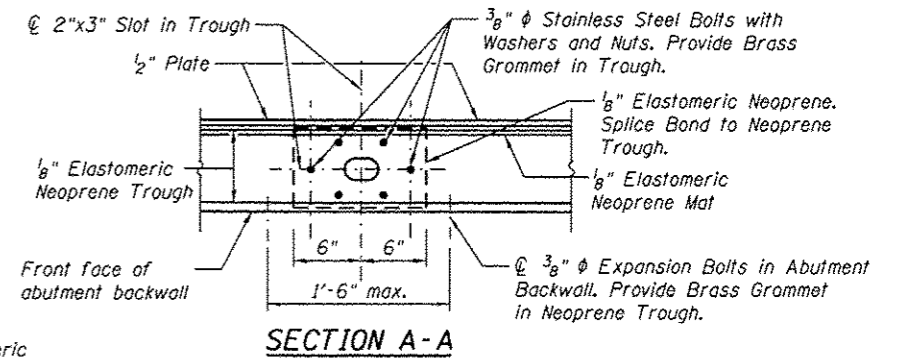


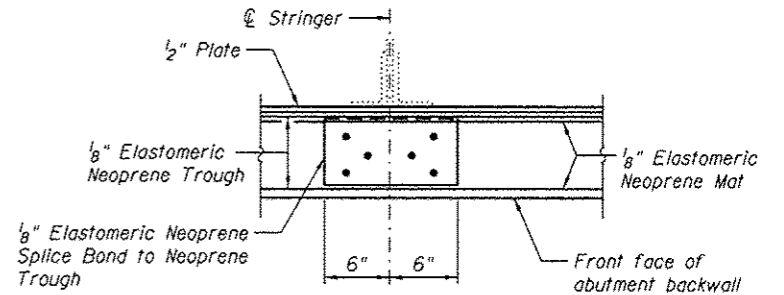
ABUTMENT A TROUGH SECTION



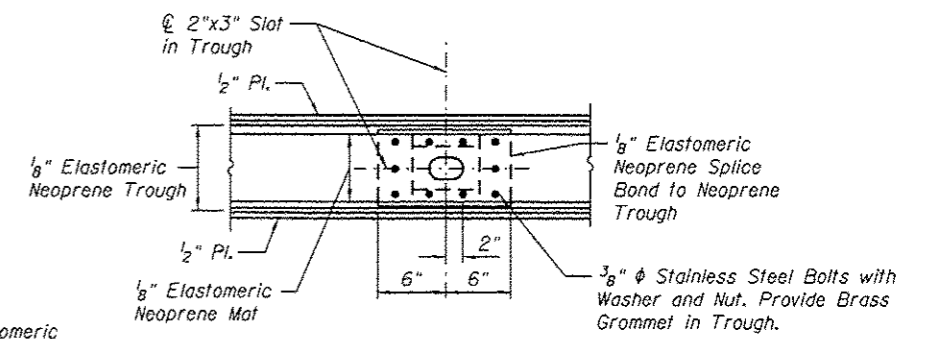
PIER 8 TROUGH SECTION



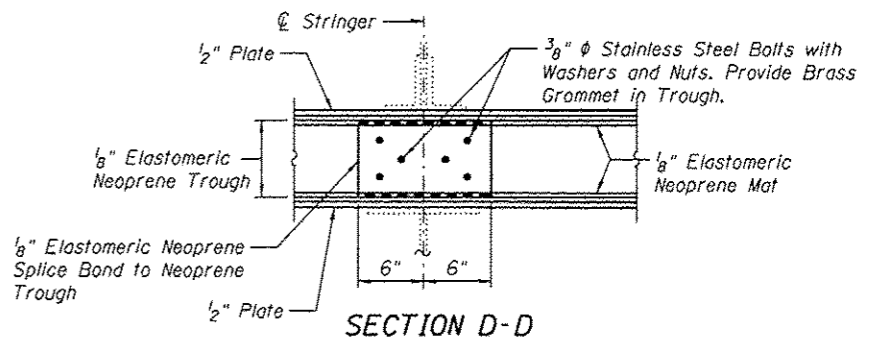
SECTION A-A



SECTION B-B



SECTION C-C



SECTION D-D

Notes:
See sheet S100 of S138 for cross sections thru finger plate joints,
trough details, additional notes and quantity for Fabric Reinforced Elastomeric Trough.

(Sheet 1 of 2)



USER NAME *	DESIGNED - JJA	REVISED -
FILE NAME *	CHECKED - TBP	REVISED -
PLOT SCALE *	DRAWN - AJF	REVISED -
PLOT DATE *	CHECKED - VPT	REVISED -

STATE OF ILLINOIS
DEPARTMENT OF TRANSPORTATION

TROUGH REPLACEMENT DETAILS
S.N. 082-6001 MLK BRIDGE OVER MISSISSIPPI RIVER

F.A.P. RTE. 799	SECTION 1BR, DRS-2	COUNTY ST. CLAIR	TOTAL SHEETS 156	SHEET NO. 117
ILLINOIS FED. AID PROJECT			CONTRACT NO. 76B03	

SHEET NO. S099 OF S138 SHEETS