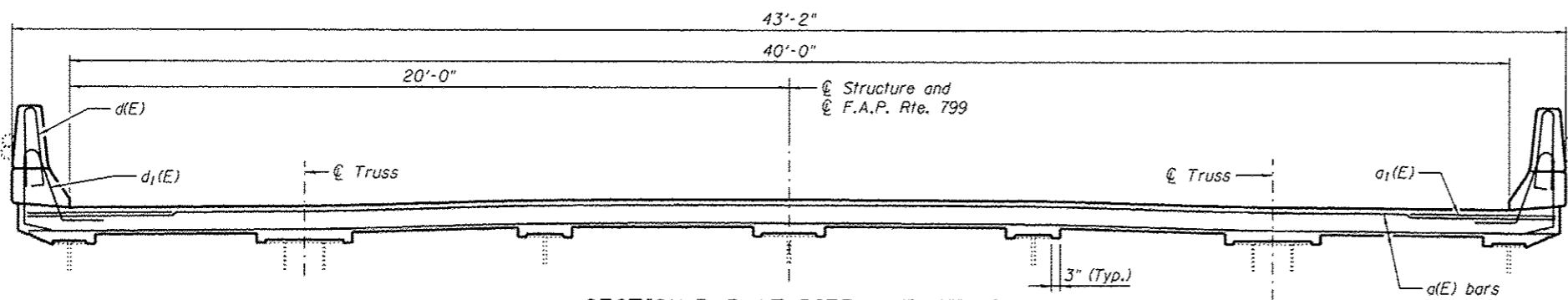
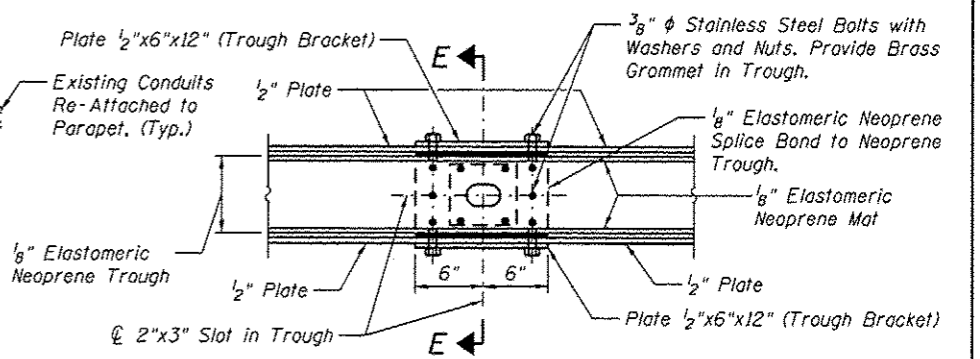


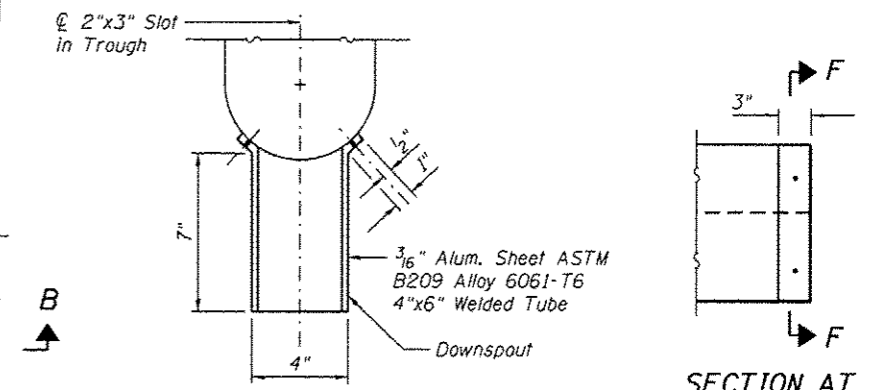
SECTION A-A AT PIER II-WEST SPAN



SECTION B-B AT PIER II-EAST SPAN

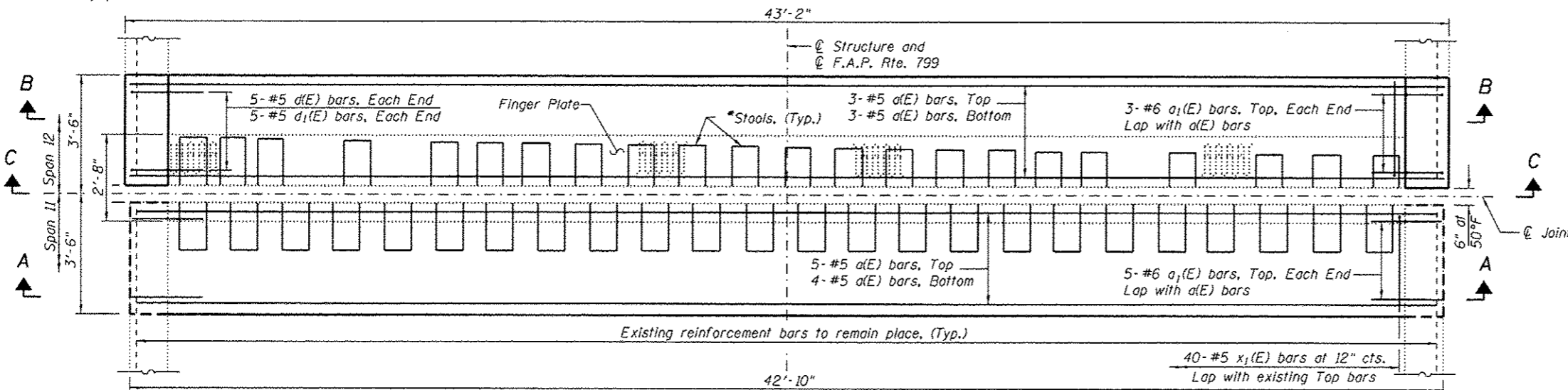


SECTION D-D

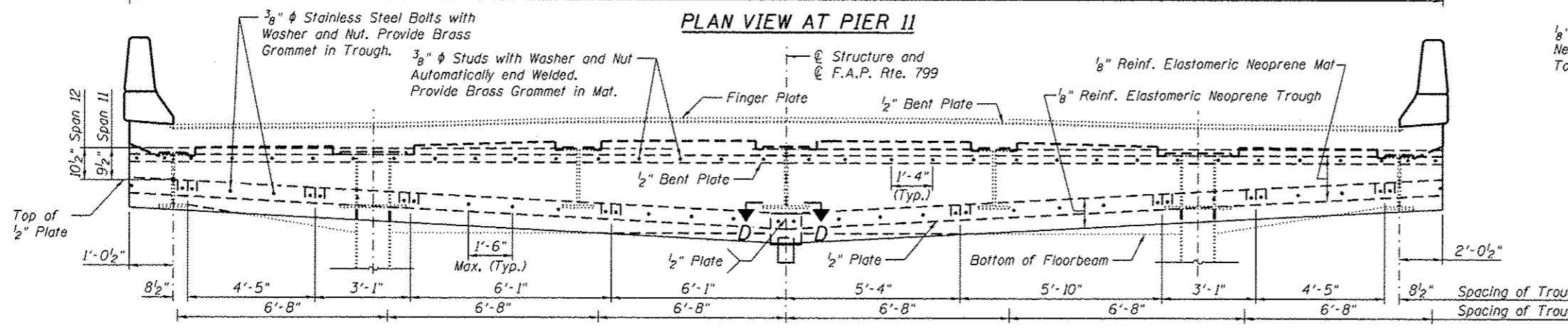


SECTION E-E

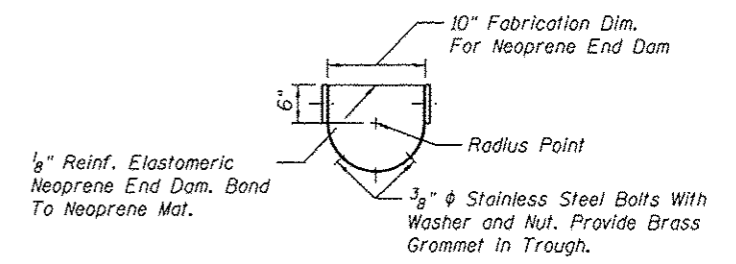
SECTION AT END OF TROUGH



PLAN VIEW AT PIER II



SECTION C-C



SECTION F-F

Notes:
 See sheet S105 of S138 for Bill of Material and elevation view of parapet sliding plate.
 See sheet S103 of S138 for cross section thru expansion joint and additional notes.
 See Main Spans Aluminum Parapet Details for parapet removal and re-attachment.
 Re-attach existing conduit to parapets. Cost included with Concrete Superstructure.

(Sheet 1 of 5)

*Stools at the locations where cover plates are provided over floor beams shall be replaced. Use existing stools at all other locations.



| | |
|--------------|----------------|
| USER NAME * | DESIGNED - JJA |
| FILE NAME * | CHECKED - TBP |
| PLOT SCALE * | DRAWN - AJF |
| PLOT DATE * | CHECKED - VPT |
| | REVISED - |
| | REVISED - |
| | REVISED - |
| | REVISED - |

| | |
|----------------|-----------|
| DESIGNED - JJA | REVISED - |
| CHECKED - TBP | REVISED - |
| DRAWN - AJF | REVISED - |
| CHECKED - VPT | REVISED - |

**STATE OF ILLINOIS
DEPARTMENT OF TRANSPORTATION**

**FINGER PLATE JOINT REPAIR
S.N. 082-6001 MLK BRIDGE OVER MISSISSIPPI RIVER**

| | | | | |
|--------------------|------------|-----------|--------------|-----------|
| F.A.P. RTE. | SECTION | COUNTY | TOTAL SHEETS | SHEET NO. |
| 799 | 1BR, DRS-2 | ST. CLAIR | 156 | 113 |
| CONTRACT NO. 76B03 | | | | |

SHEET NO. S101 OF S138 SHEETS

ILLINOIS FED. AID PROJECT