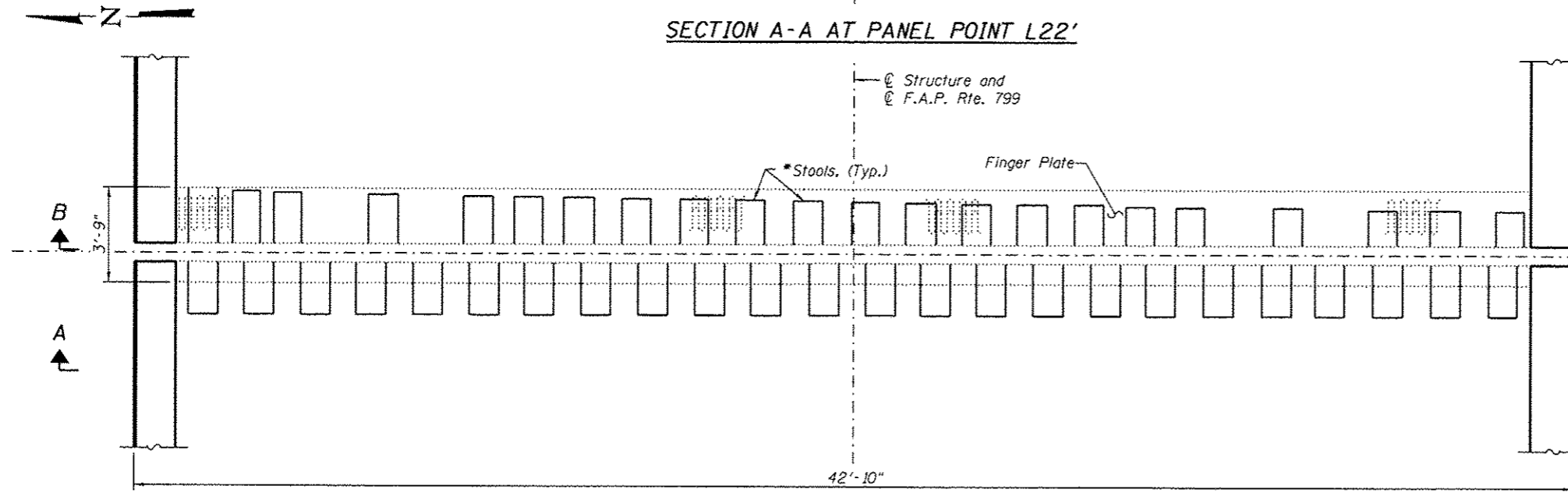
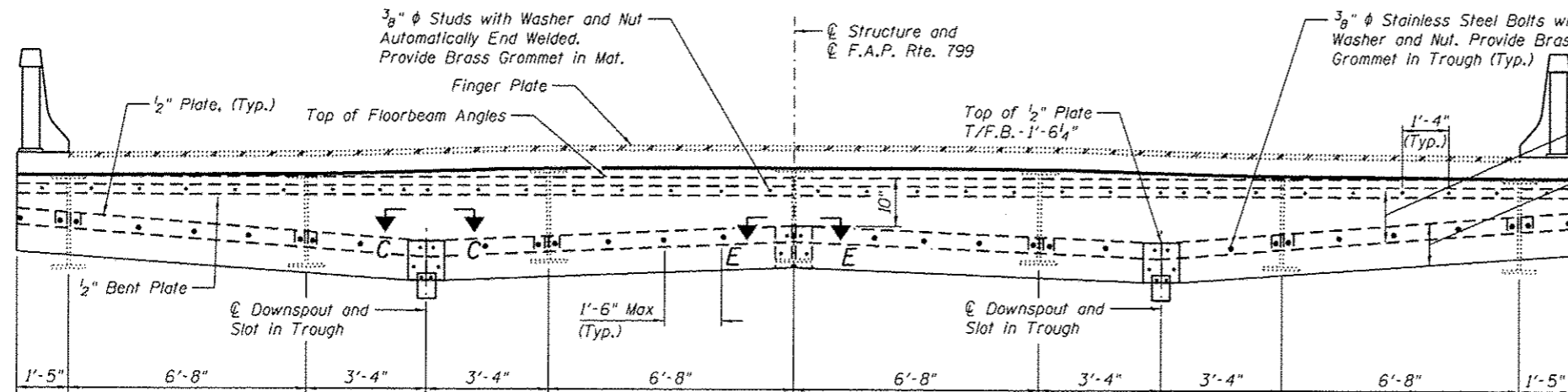


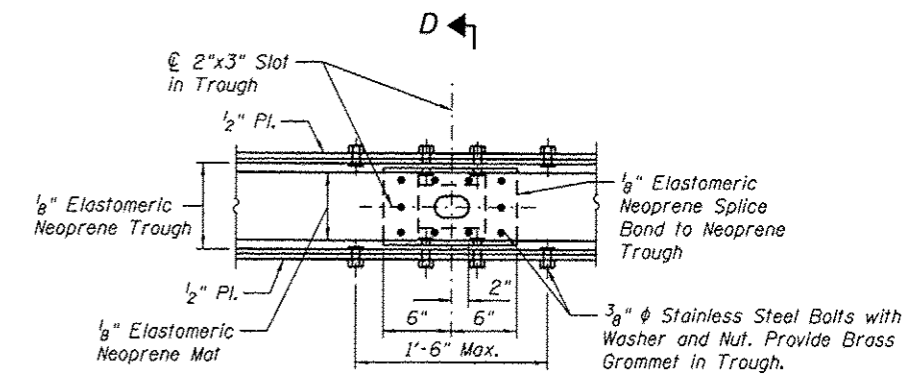
SECTION A-A AT PANEL POINT L22'



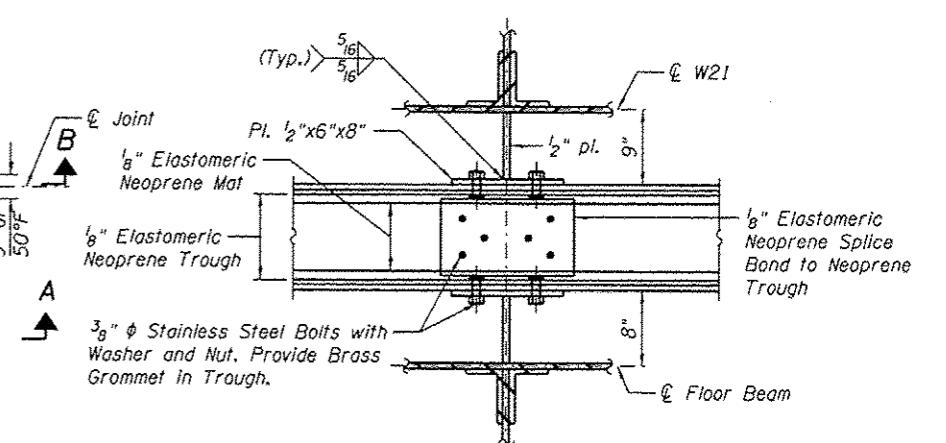
PLAN VIEW AT PANEL POINT L22'



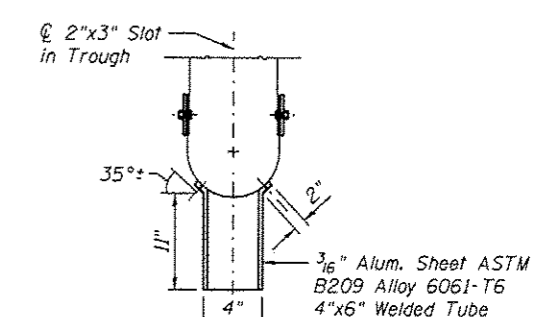
SECTION B-B



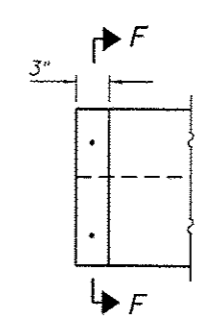
SECTION C-C



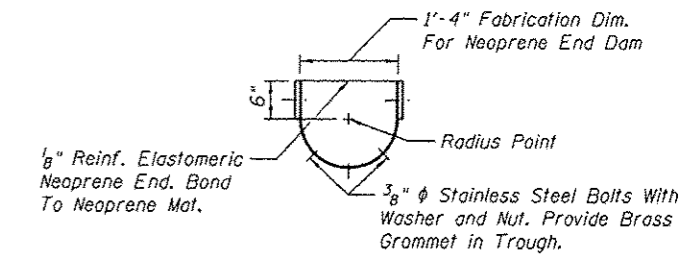
SECTION E-E



SECTION D-D



SECTION AT END OF TROUGH



SECTION F-F

Notes:  
 See Sheet S105 of S138 for elevation view of parapet sliding plate and Bill of Material.  
 See Main Span Grid Deck Details for details of grid deck floor system.  
 See Sheet S103 of S138 for additional notes.  
 See Main Spans Aluminum Parapet Details for parapet removal and replacement.

\*Stools at the locations where cover plates are provided over floor beams shall be replaced. Use existing stools at all other locations.

(Sheet 4 of 5)



USER NAME *	DESIGNED - JJA	REVISED -
FILE NAME *	CHECKED - TBP	REVISED -
PLOT SCALE *	DRAWN - AJF	REVISED -
PLOT DATE *	CHECKED - VPT	REVISED -

DESIGNED - JJA	REVISED -
CHECKED - TBP	REVISED -
DRAWN - AJF	REVISED -
CHECKED - VPT	REVISED -

STATE OF ILLINOIS  
 DEPARTMENT OF TRANSPORTATION

FINGER PLATE JOINT REPAIR  
 S.N. 082-6001 MLK BRIDGE OVER MISSISSIPPI RIVER  
 SHEET NO. S104 OF S138 SHEETS

F.A.P. RTE.	SECTION	COUNTY	TOTAL SHEETS	SHEET NO.
799	1BR, DRS-2	ST. CLAIR	156	122
CONTRACT NO. 76B03			ILLINOIS FED. AID PROJECT	