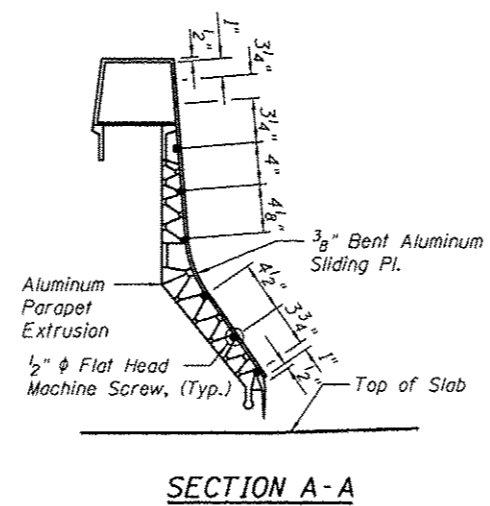
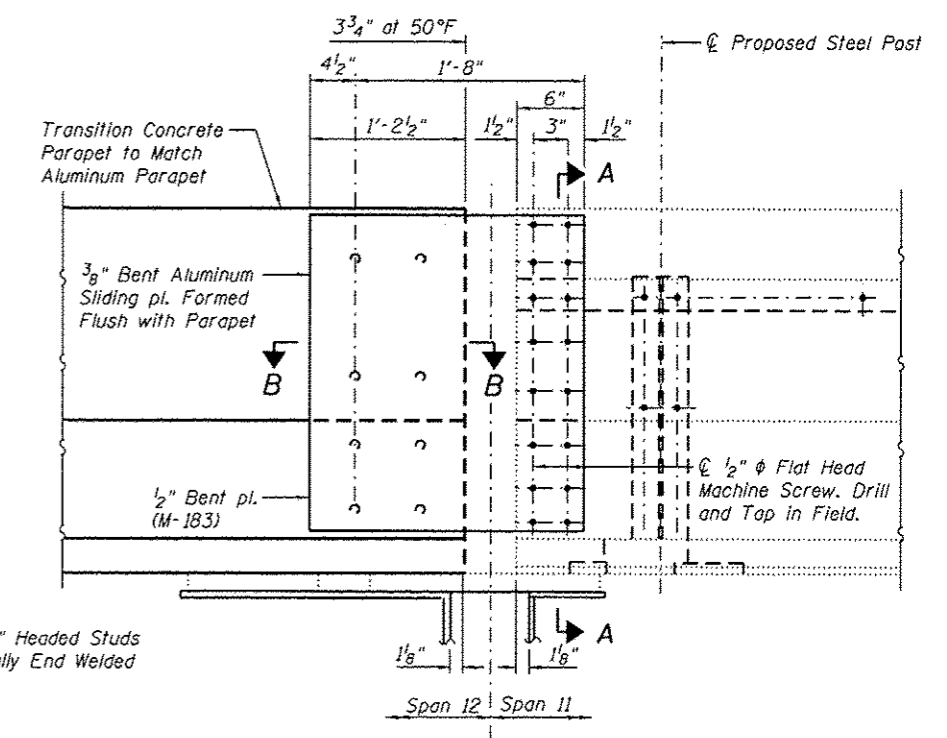


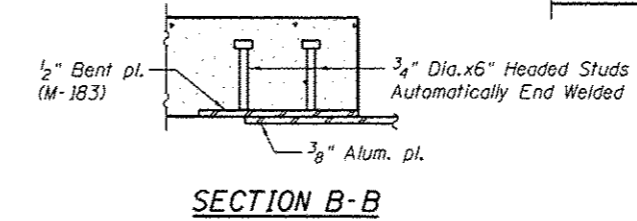
ELEVATION-PARAPET SLIDING PLATE
(Panel Point L22')



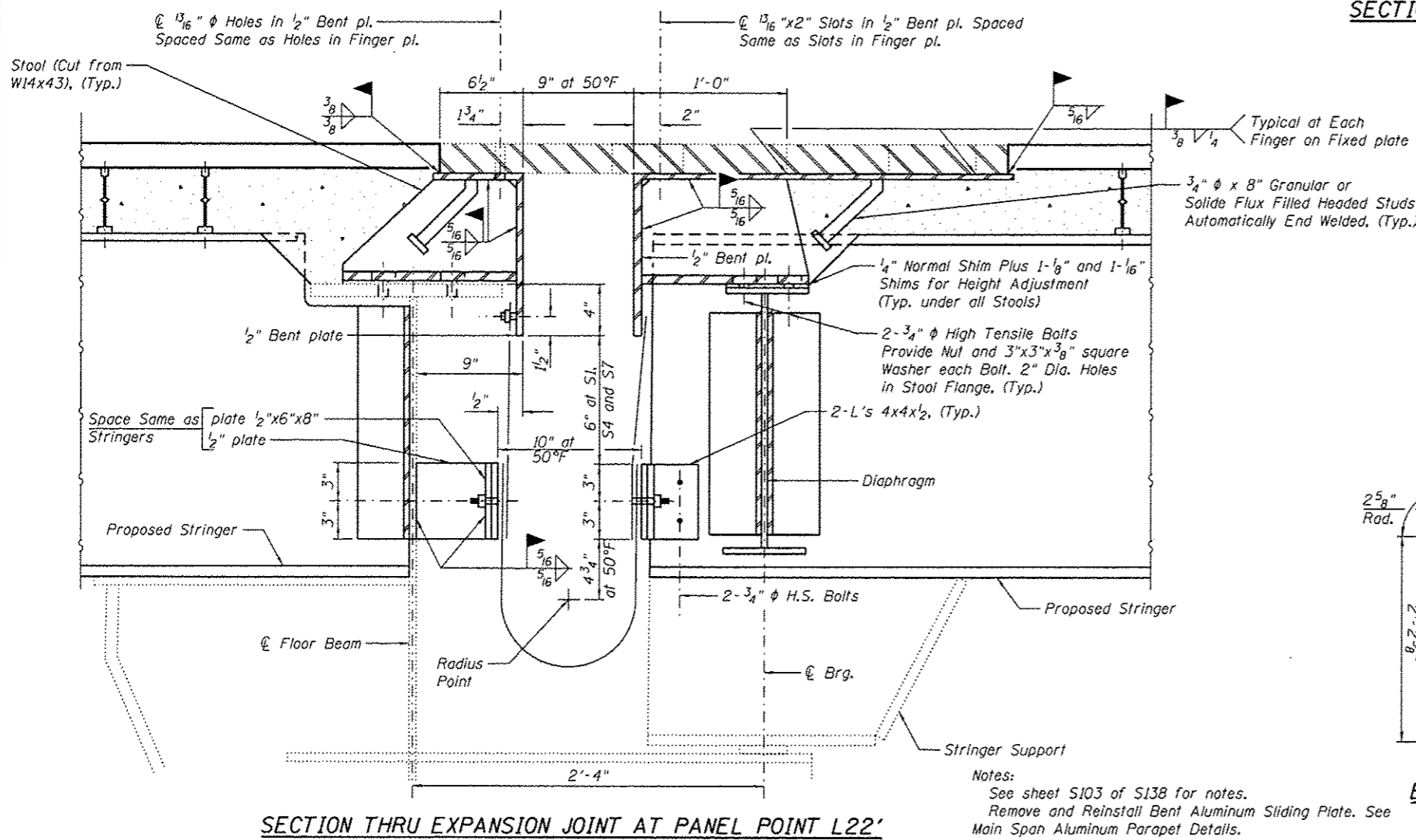
SECTION A-A



ELEVATION-PARAPET SLIDING PLATE
(Pier II)

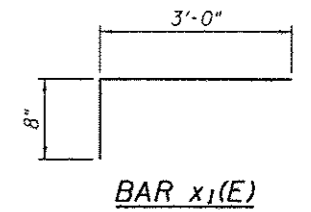


SECTION B-B



SECTION THRU EXPANSION JOINT AT PANEL POINT L22'

Notes:
See sheet S103 of S138 for notes.
Remove and Reinstall Bent Aluminum Sliding Plate. See Main Span Aluminum Parapet Details.

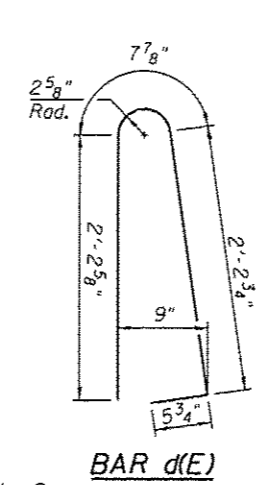


BAR x1(E)

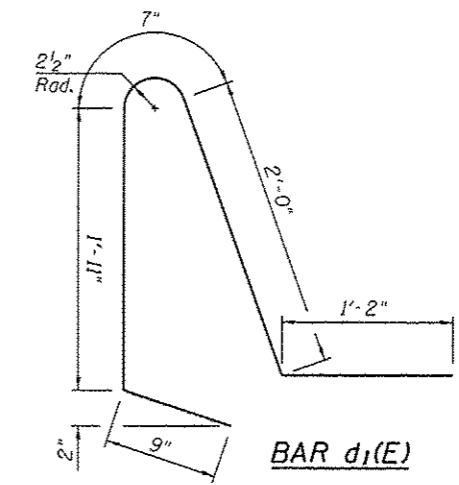
BILL OF MATERIAL

(All Finger Plate Joint Replacements)

Bar	No.	Size	Length	Shape
d(E)	31	#5	42'-7"	—
a1(E)	34	#6	6'-6"	—
d(E)	30	#5	5'-7"	U
d1(E)	30	#5	6'-5"	U
x1(E)	160	#5	3'-8"	┌
Reinforcement Bars, Epoxy Coated		Pound	2,700	
Concrete Superstructure		Cu. Yd.	17.6	
Fabric Reinforced Elastomeric Trough		Foot	129	
Remove and Reinstall Finger Plate Joint		Each	3	



BAR d(E)



BAR d1(E)

(Sheet 5 of 5)