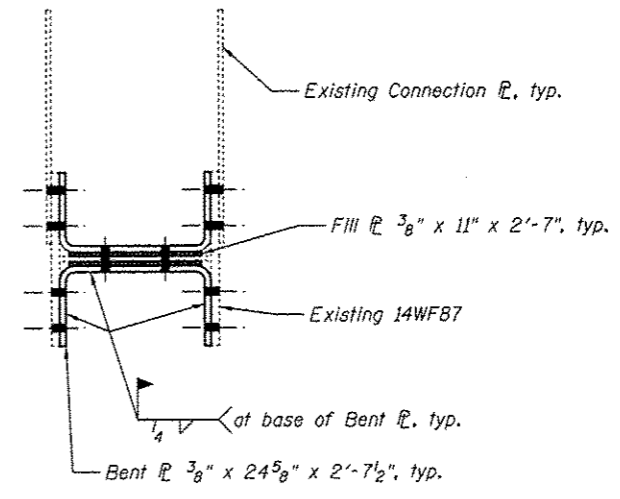
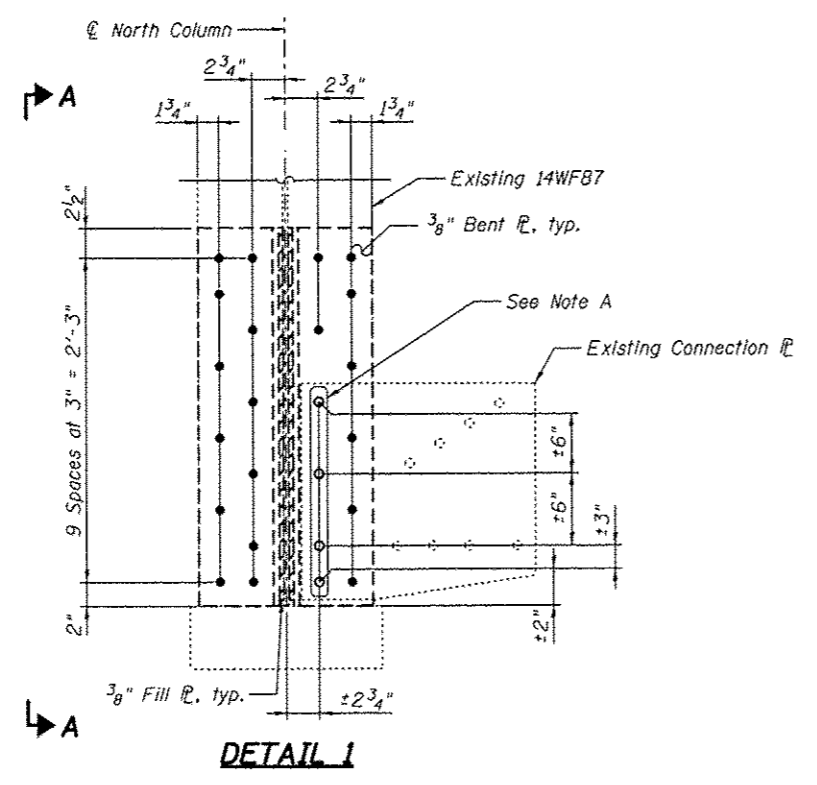


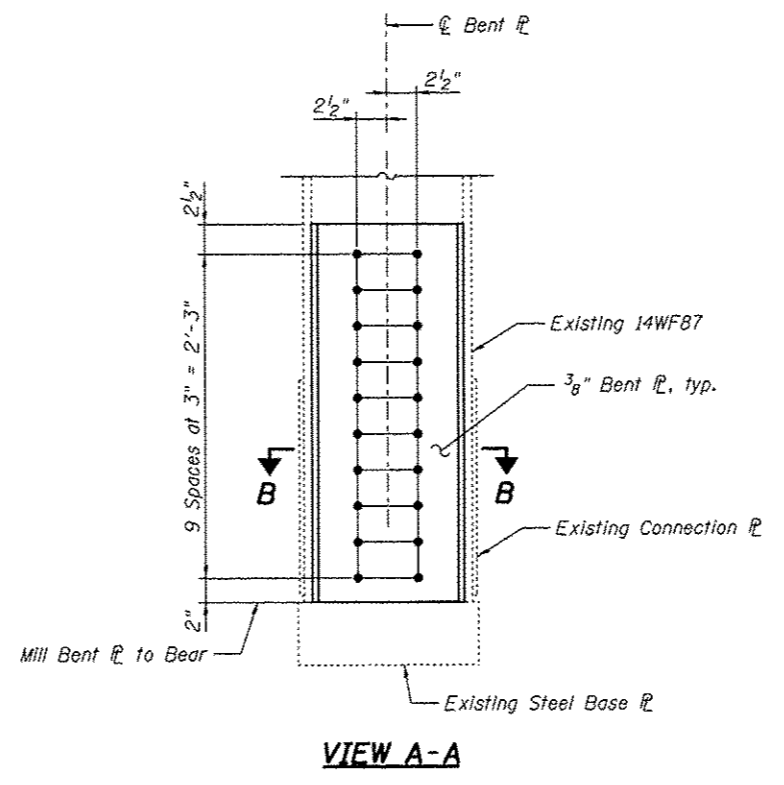
BENT 1
(Looking East)



SECTION B-B



DETAIL 1



VIEW A-A

BILL OF MATERIAL

| Item | Unit | Total |
|-------------------------|-------|-------|
| Structural Steel Repair | Pound | 280 |

Note A:
Field drill holes using existing holes as template.
Remainder of holes may be shop or field drilled.

Note:
All bolted connections shown on this sheet shall be made with 3/4 inch dia. H.S. bolts.