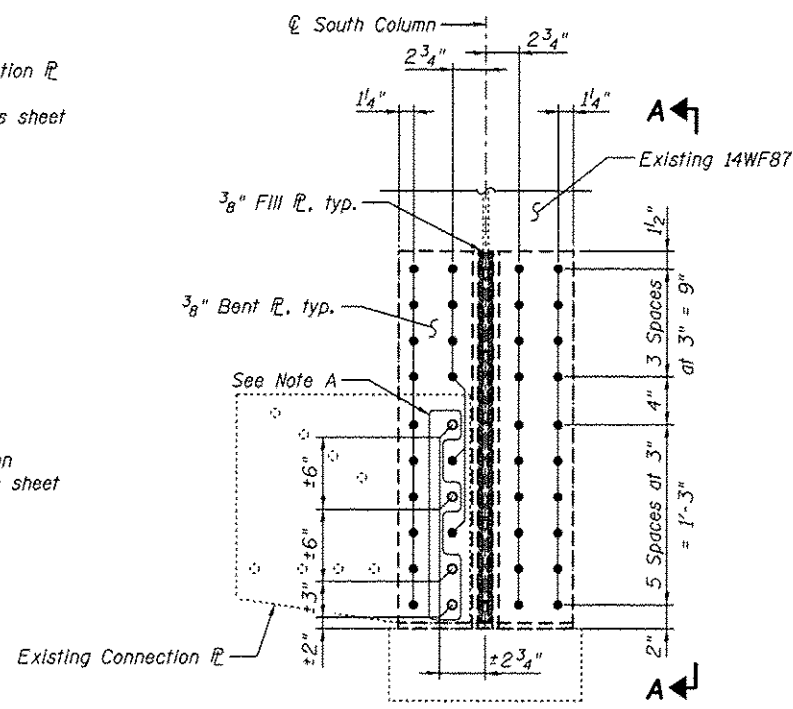
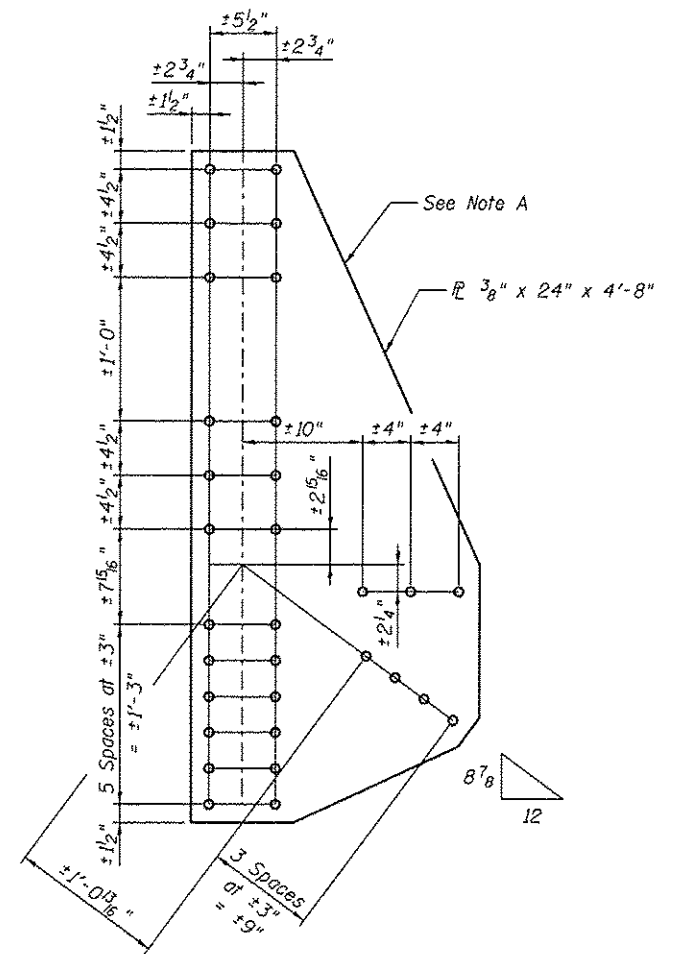


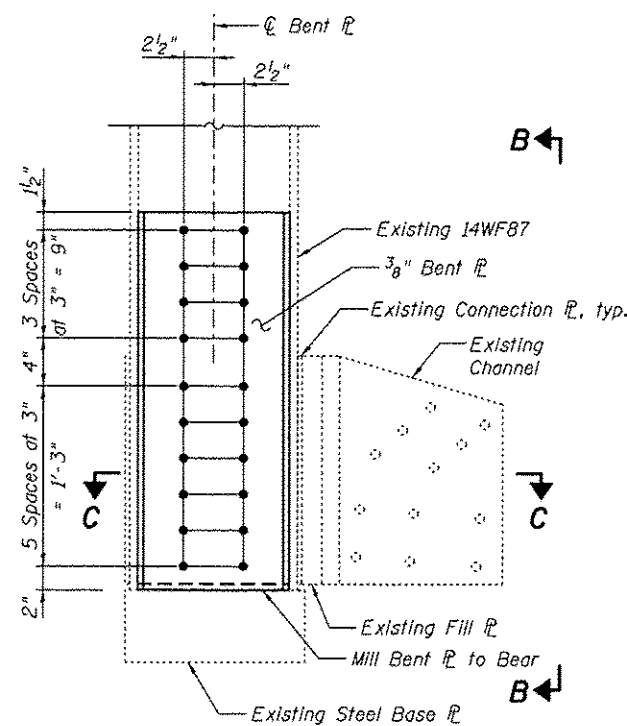
BENT 2
(Looking East)



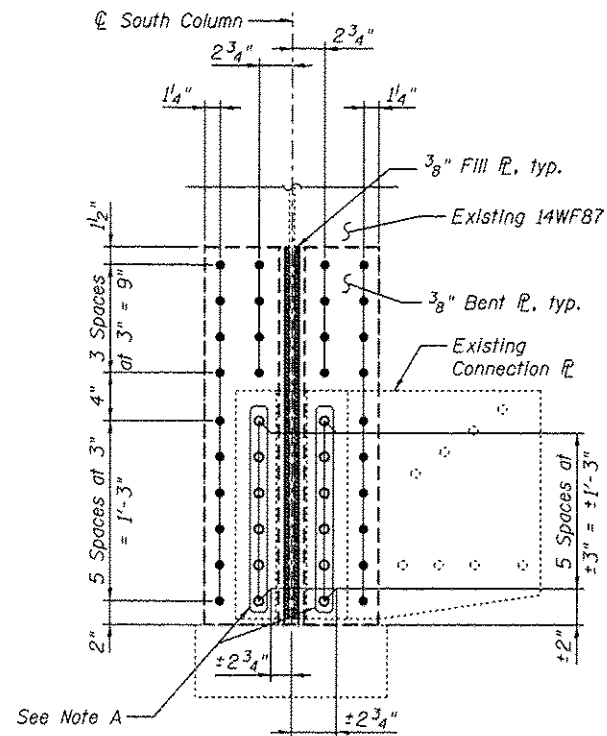
DETAIL 1
(South Column Shown, North Column similar)



DETAIL 2
(South Column Connection \bar{C} East Face Shown, North Column Connection \bar{C} East Face similar)

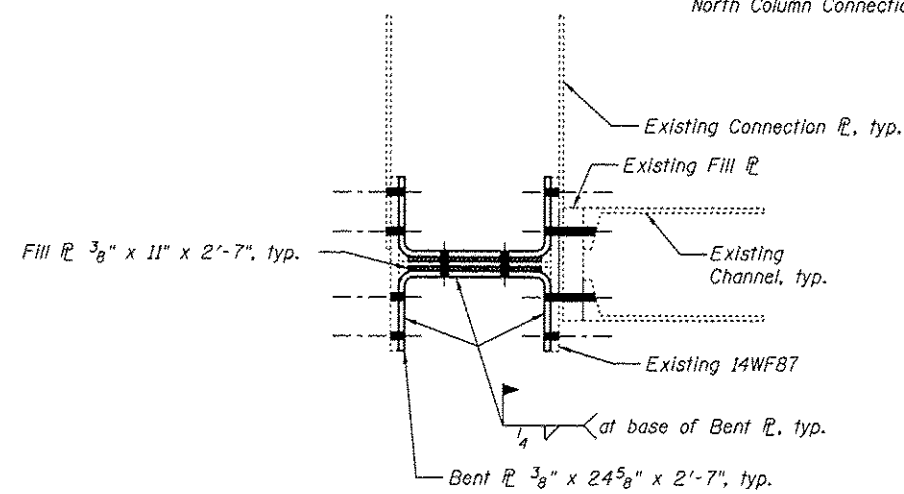


VIEW A-A



VIEW B-B

(Channel not shown for clarity)



SECTION C-C

BILL OF MATERIAL

Item	Unit	Total
Structural Steel Repair	Pound	850

Note A:
Field drill holes using existing holes as template.
Remainder of holes may be shop or field drilled.

Note:
All bolted connections shown on this sheet shall be made with $\frac{3}{4}$ " dia. H.S. bolts.



USER NAME =
DESIGNED - ZJB
CHECKED - YSS
PLOT SCALE =
DRAWN - AEC
PLOT DATE = 03/20/2014
CHECKED - ZJB

DESIGNED - ZJB
CHECKED - YSS
DRAWN - AEC
CHECKED - ZJB

REVISED
REVISED
REVISED
REVISED

STATE OF ILLINOIS
DEPARTMENT OF TRANSPORTATION

MISSOURI APPROACH BENT 2 REPAIRS
S.N. 082-6001 MLK BRIDGE OVER MISSISSIPPI RIVER

SHEET NO. S108 OF S138 SHEETS

F.A.P. RTE.	SECTION	COUNTY	TOTAL SHEETS	SHEET NO.
799	1BR, DRS-2	ST. CLAIR	156	126

CONTRACT NO. 76B03
ILLINOIS FED. AID PROJECT