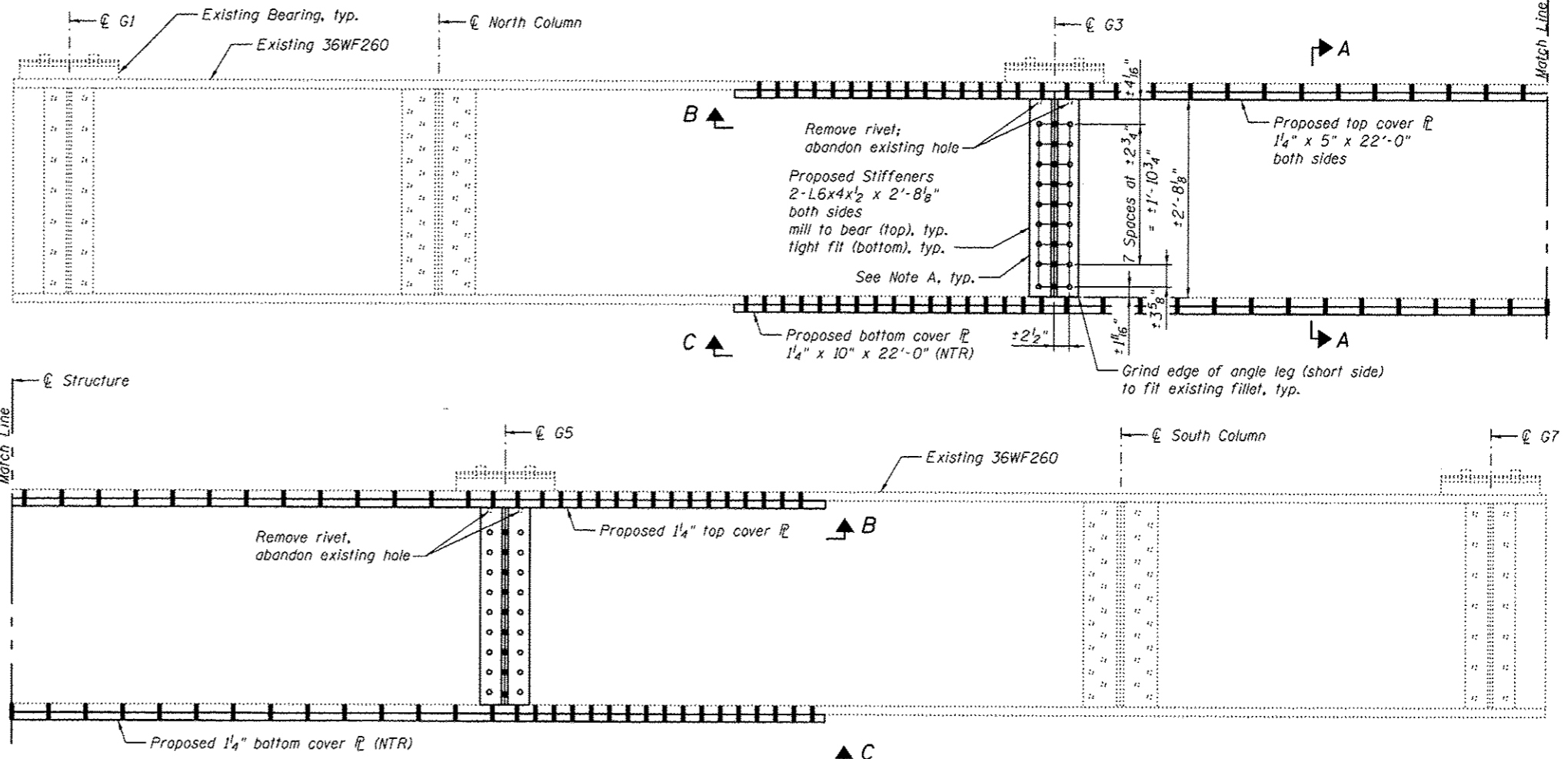
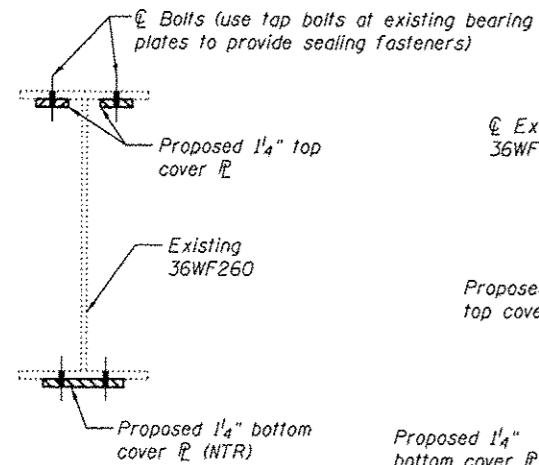


BENT 3
(Looking East)

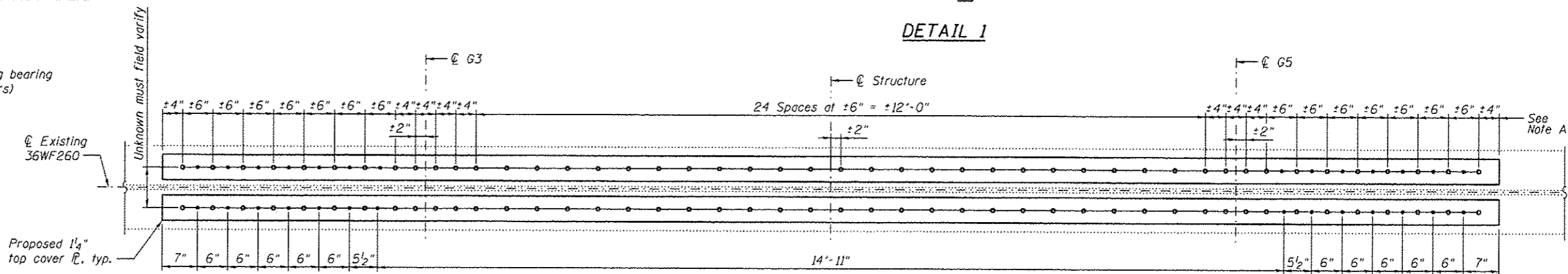
Procedure:
Remove and install bottom cover plate.
After bottom cover plate is installed, remove and install top cover plate.



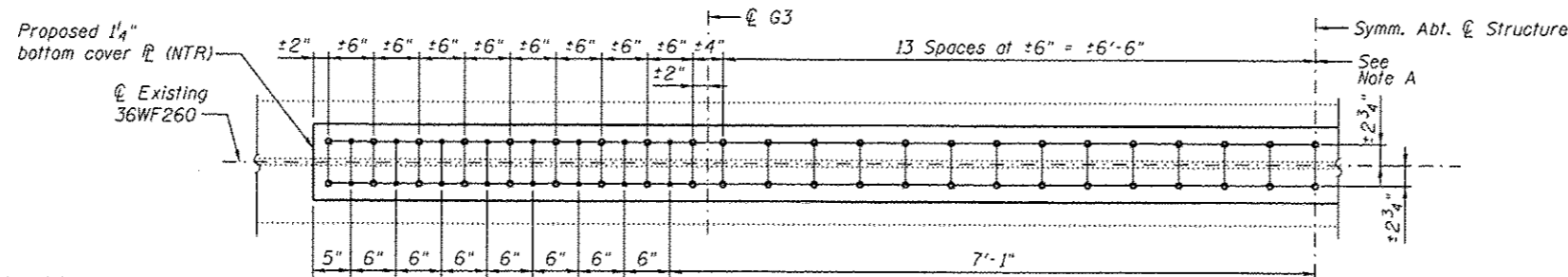
DETAIL 1



SECTION A-A



SECTION B-B



VIEW C-C

Note A:
Field drill holes using existing holes as template.
Remainder of holes may be shop or field drilled.

BILL OF MATERIAL

Item	Unit	Total
Structural Steel Repair	Pound	2,420

Notes:
All bolted connections shown on this sheet shall be made with 3/4" dia. H.S. bolts.
Load carrying components designated "NTR" shall conform to the Impact Testing Requirement, Zone 2.



USER NAME	DESIGNED - YSS	REVISOR
PLOT SCALE	CHECKED - ZAC	REVISION
PLOT DATE	DRAWN - AEC	REVISION
	CHECKED - YSS	REVISION

DESIGNED - YSS	REVISOR
CHECKED - ZAC	REVISION
DRAWN - AEC	REVISION
CHECKED - YSS	REVISION

STATE OF ILLINOIS
DEPARTMENT OF TRANSPORTATION

MISSOURI APPROACH BENT 3 REPAIRS
S.N. 082-6001 MLK BRIDGE OVER MISSISSIPPI RIVER

SHEET NO. S109 OF S138 SHEETS

F.A.P. RTE.	SECTION	COUNTY	TOTAL SHEETS	SHEET NO.
799	1BR, DRS-2	ST. CLAIR	156	127
CONTRACT NO. 76B03				
ILLINOIS FED. AID PROJECT				