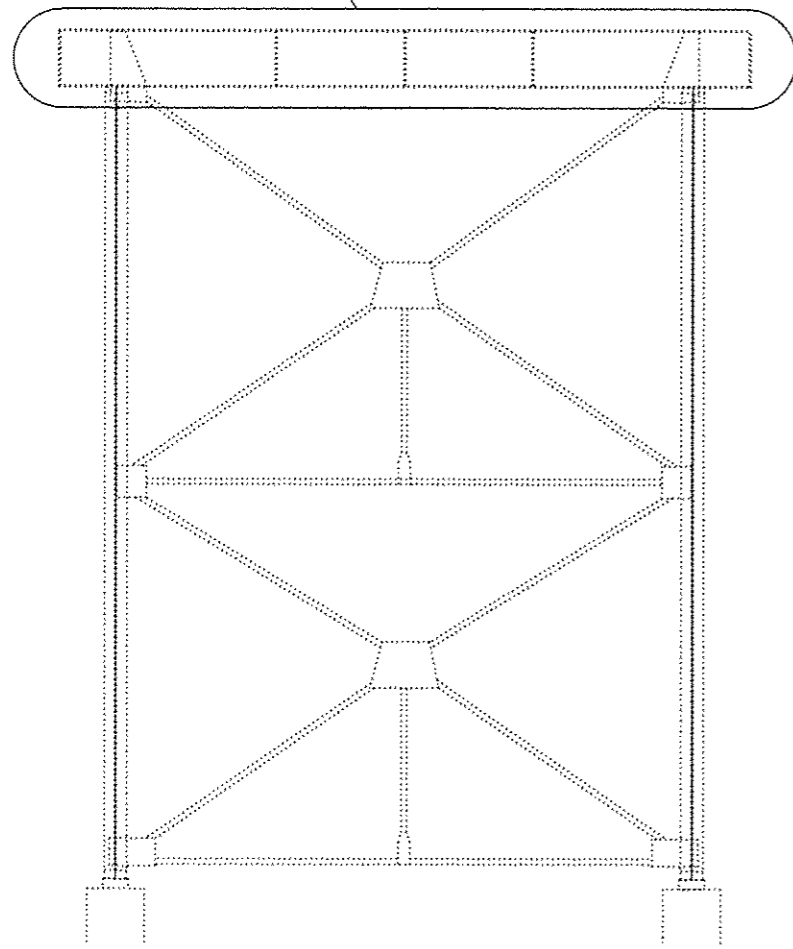
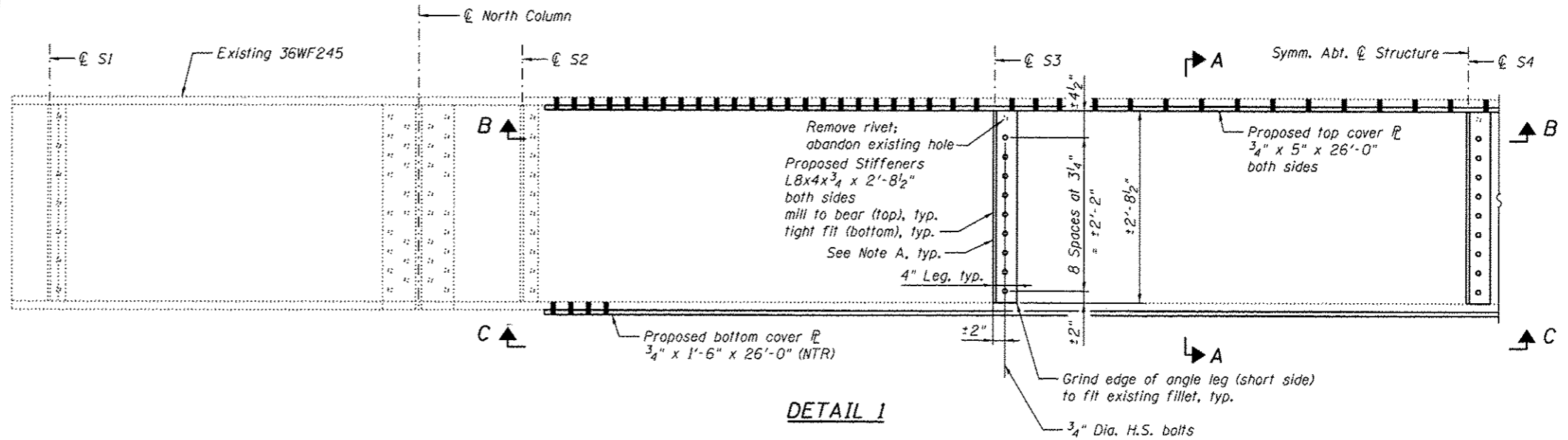


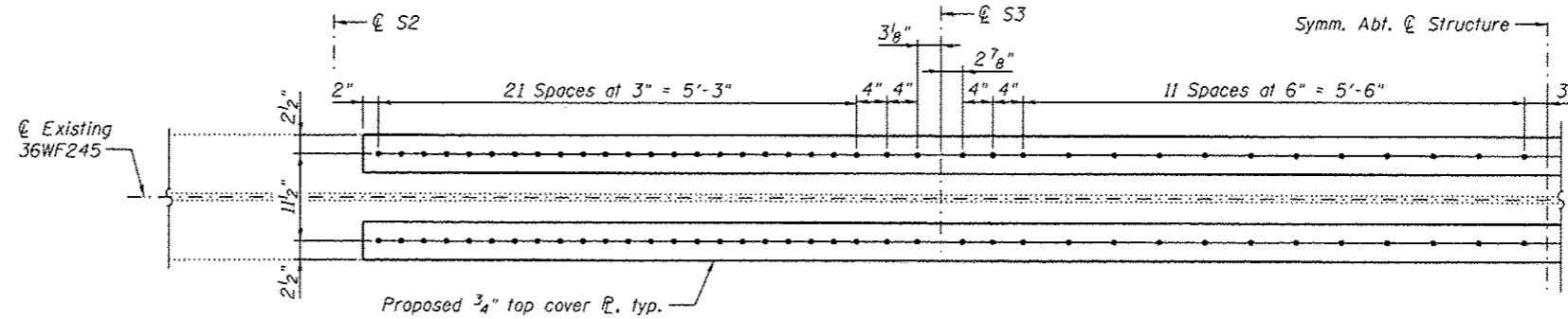
Strengthen Bent Cap, see Detail 1, this sheet.



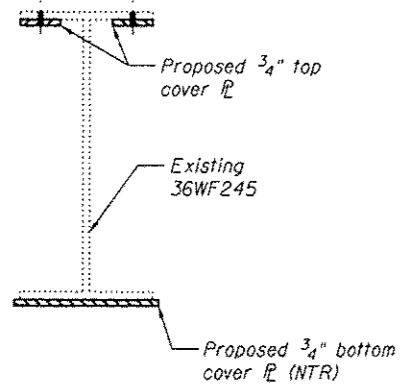
BENT 7
(Looking East)



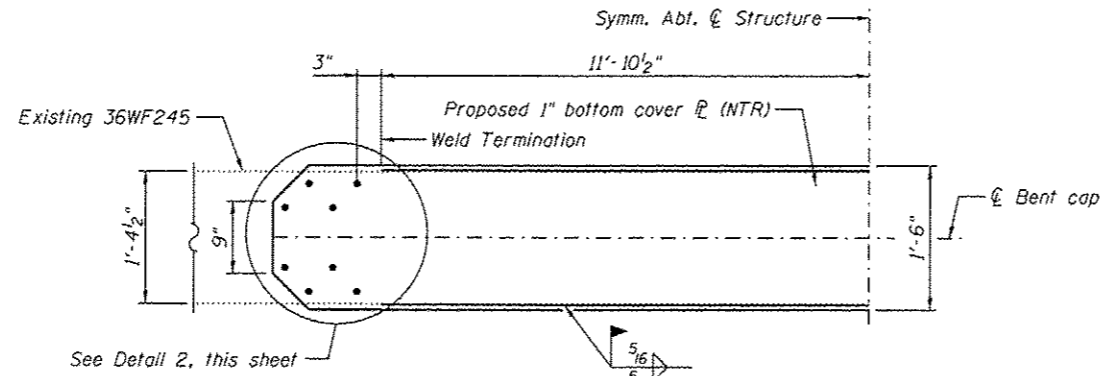
DETAIL 1



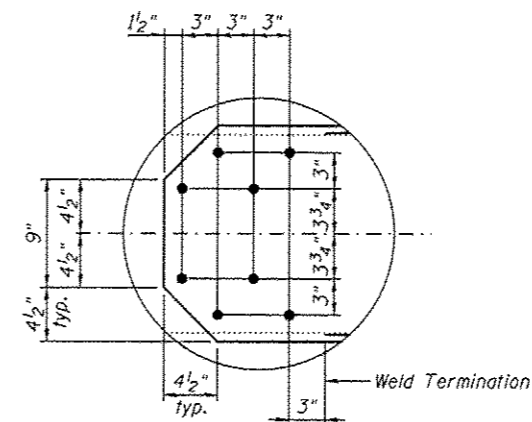
SECTION B-B



SECTION A-A



VIEW C-C



DETAIL 2

BILL OF MATERIAL

Item	Unit	Total
Structural Steel Repair	Pound	2,510

Notes:
Load carrying components designated "NTR" shall conform to the Impact Testing Requirement, Zone 2.
Per existing details, stringer bearings do not interfere with proposed top flange cover plates. Therefore bearing details are not shown and tap bolts are not required.

Note A:
Field drill holes using existing holes as template.
Remainder of holes may be shop or field drilled.



USER NAME *	DESIGNED - YSS	REVISED
PLOT SCALE *	CHECKED - ZJB	REVISED
PLOT DATE * 05/02/2014	DRAWN - AEC	REVISED
	CHECKED - YSS	REVISED

STATE OF ILLINOIS
DEPARTMENT OF TRANSPORTATION

MISSOURI APPROACH BENT 7 REPAIRS
S.N. 082-6001 MLK BRIDGE OVER MISSISSIPPI RIVER

SHEET NO. S112 OF S138 SHEETS

F.A.P. RTE.	SECTION	COUNTY	TOTAL SHEETS	SHEET NO.
799	1BR, DRS-2	ST. CLAIR	156	130
CONTRACT NO. 76B03				
ILLINOIS FED. AID PROJECT				