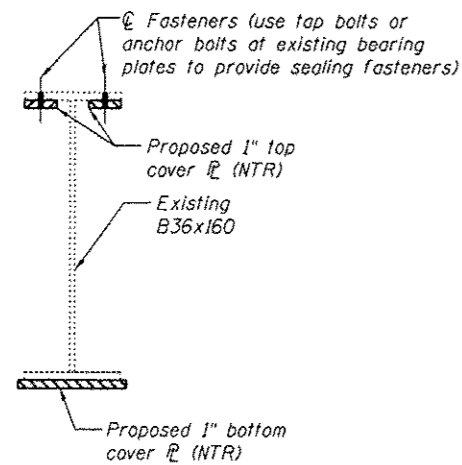
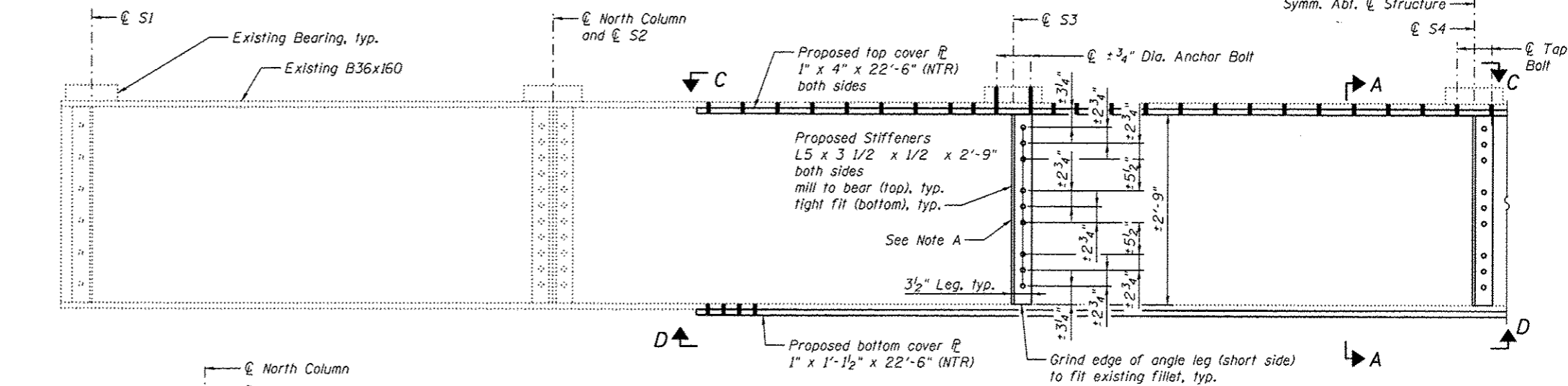


BENT 22
(Looking East)

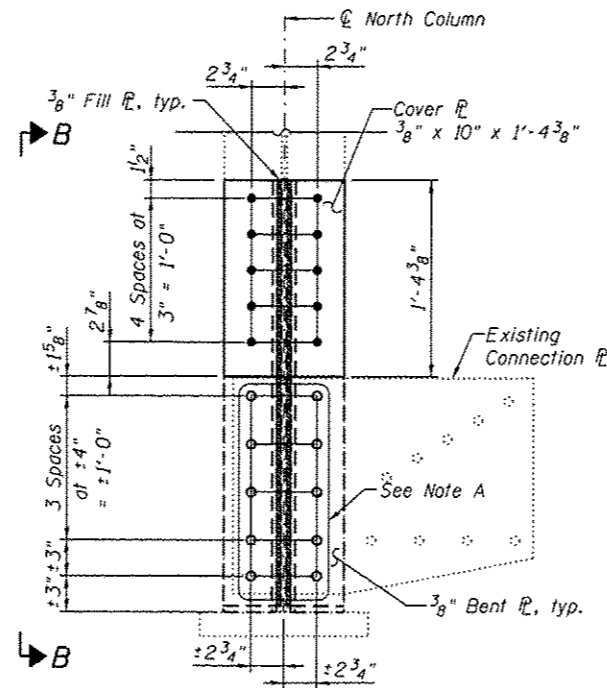


SECTION A-A

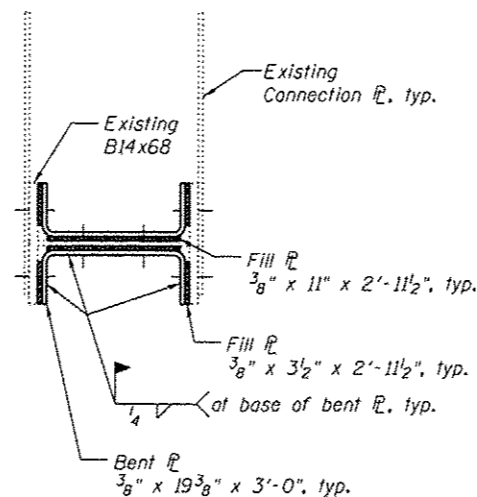
Note A:
Field drill holes using existing holes as template.
Remainder of holes may be shop or field drilled.



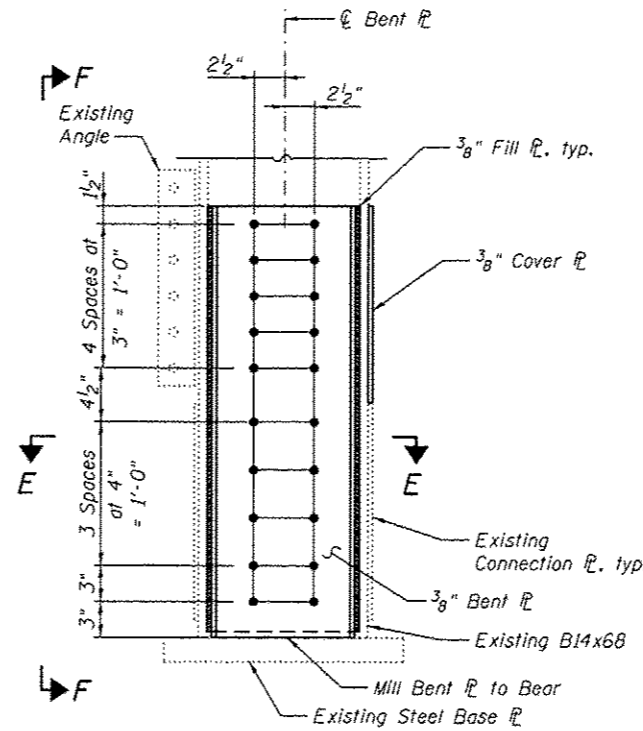
DETAIL 1



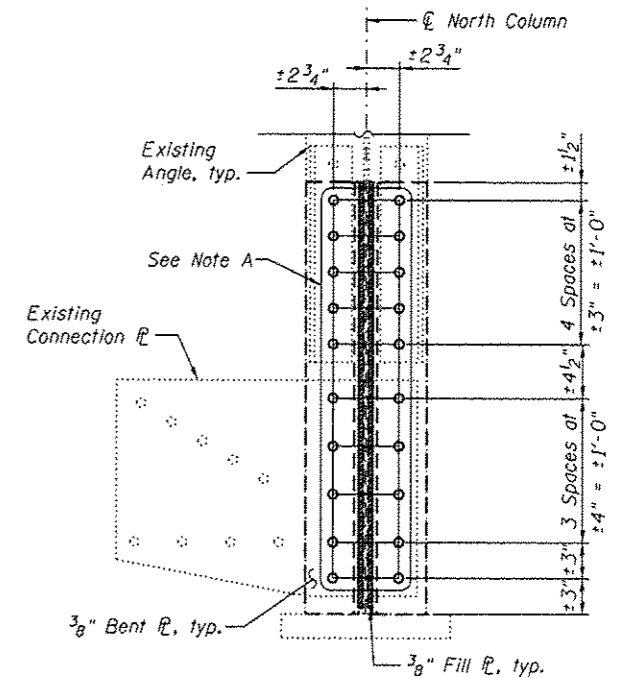
DETAIL 2
(North column shown, South column similar)



SECTION E-E



VIEW B-B



VIEW F-F

BILL OF MATERIAL

Item	Unit	Total
Structural Steel Repair	Pound	2,660

Notes:
All bolted connections shown on this sheet shall be made with 3/4" dia. H.S. bolts.
Load carrying components designated "NTR" shall conform to the Impact Testing Requirement, Zone 2.
For View C-C and View D-D details, see sheet S124.



USER NAME :	DESIGNED - YSS	REVISED
PLOT SCALE :	CHECKED - ZJB	REVISED
PLOT DATE : 05/02/2014	DRAWN - AEC	REVISED
	CHECKED - YSS	REVISED

STATE OF ILLINOIS
DEPARTMENT OF TRANSPORTATION

ILLINOIS APPROACH BENT 22 REPAIRS
S.N. 082-6001 MLK BRIDGE OVER MISSISSIPPI RIVER

SHEET NO. S117 OF S138 SHEETS

F.A.P. RTE.	SECTION	COUNTY	TOTAL SHEETS	SHEET NO.
799	1BR, ORS-2	ST. CLAIR	156	135
			CONTRACT NO. 76B03	
ILLINOIS FED. AID PROJECT				