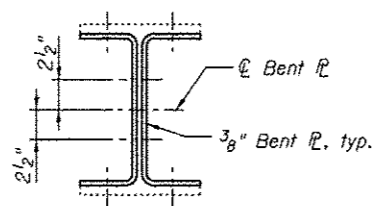
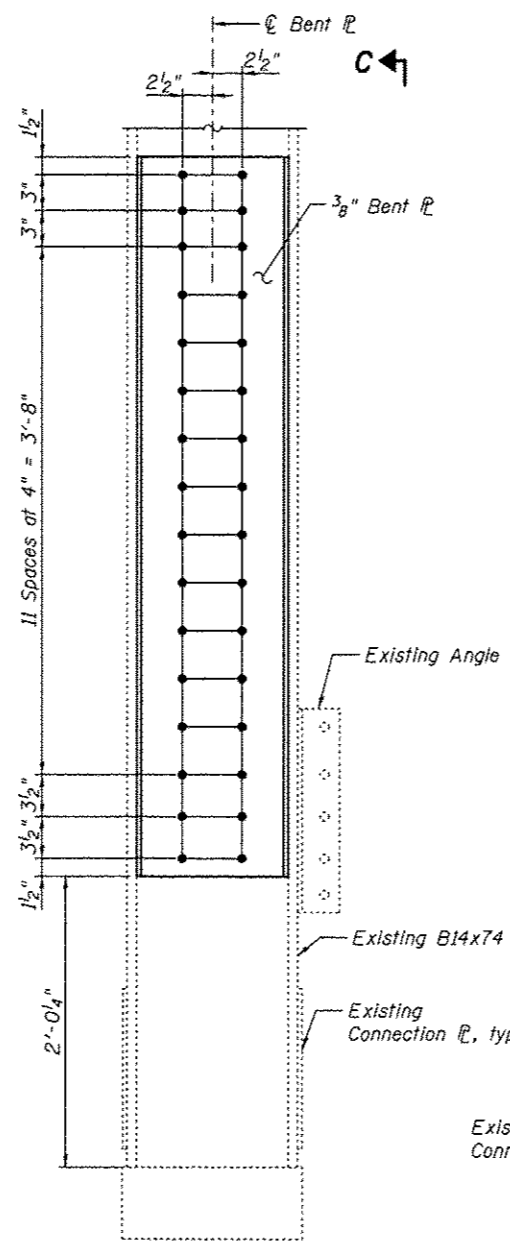


DETAIL 4

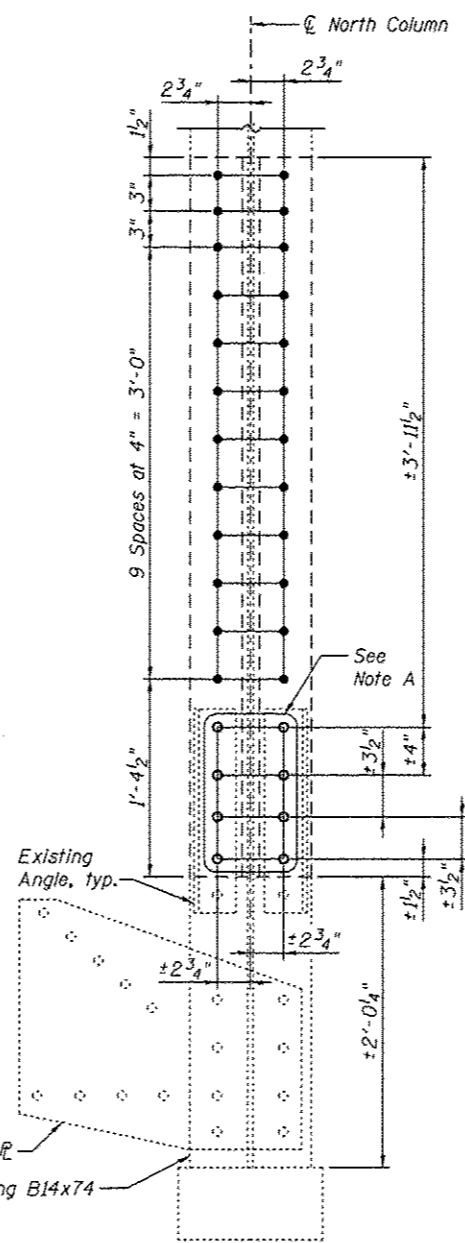


SECTION A-A

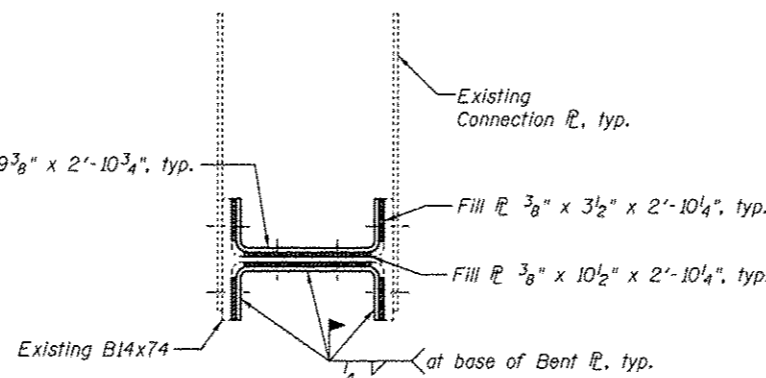
Note A:
Field drill holes using existing holes as template.
Remainder of holes may be shop or field drilled.



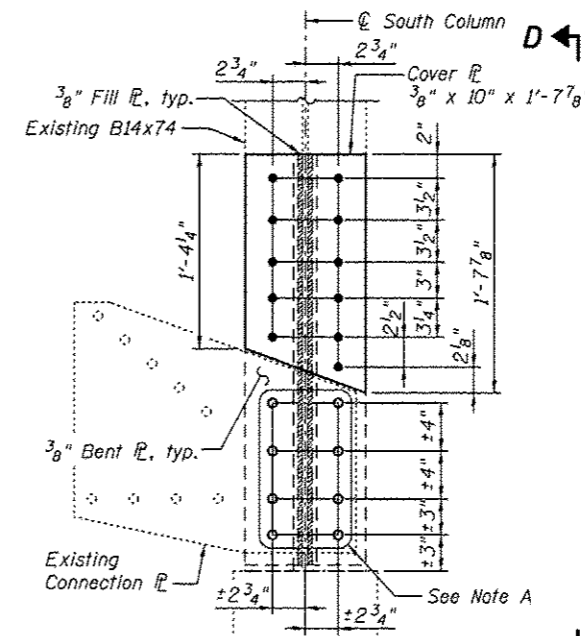
VIEW B-B



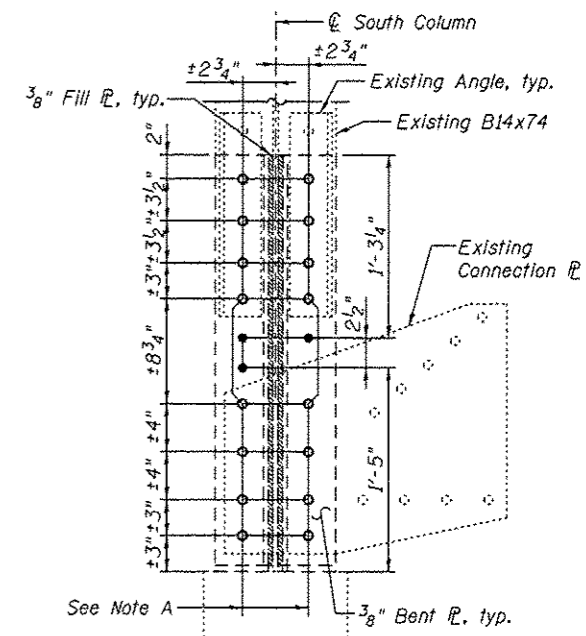
VIEW C-C



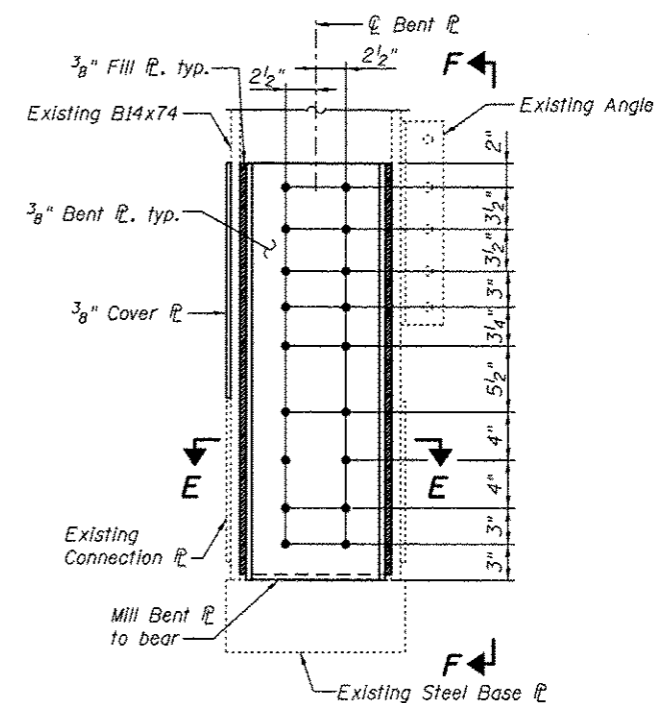
SECTION E-E



DETAIL 5



VIEW F-F



VIEW D-D

Notes:
All bolted connections shown on this sheet shall be made with 3/4\"/>



| | | |
|------------------------|----------------|---------|
| USER NAME = | DESIGNED - ZJB | REVISED |
| PLOT SCALE = | CHECKED - YSS | REVISED |
| PLOT DATE = 03/20/2014 | DRAWN - AEC | REVISED |
| | CHECKED - ZJB | REVISED |

STATE OF ILLINOIS
DEPARTMENT OF TRANSPORTATION

ILLINOIS APPROACH BENT 27 REPAIRS - 2
S.N. 082-6001 MLK BRIDGE OVER MISSISSIPPI RIVER

SHEET NO. S120 OF S138 SHEETS

| | | | | |
|---------------------------|------------|-----------|--------------------|-----------|
| F.A.P. R.F.E. | SECTION | COUNTY | TOTAL SHEETS | SHEET NO. |
| 799 | 18R, ORS-2 | ST. CLAIR | 156 | 138 |
| | | | CONTRACT NO. 76B03 | |
| ILLINOIS FED. AID PROJECT | | | | |