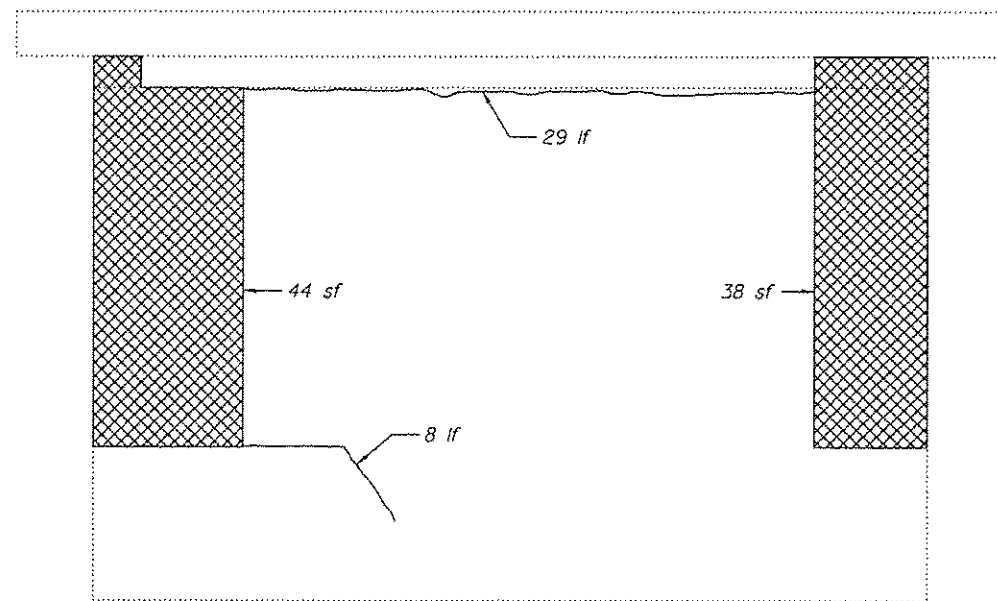


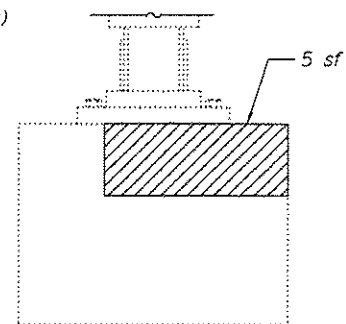
ELEVATION- ABUTMENT A

(Looking West)

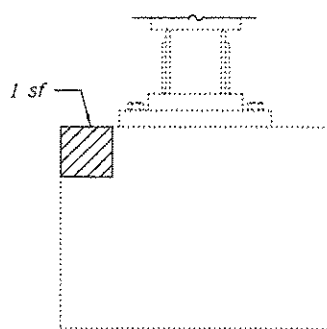


PLAN- ABUTMENT B SLOPE WALL

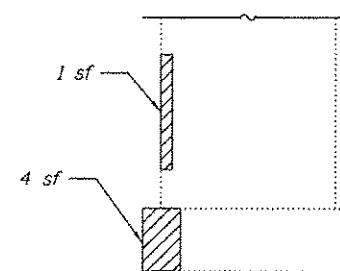
(Looking East)



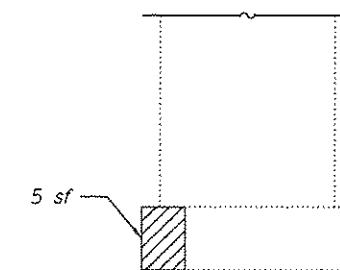
BENT 18 NORTH FOOTING
(Looking West)



BENT 18 NORTH FOOTING
(Looking West)



PIER 12 NORTH COLUMN
(Looking West)



PIER 12 SOUTH COLUMN
(Looking West)

Notes:
Repair of the existing abutment and slope wall shall include but may not be limited to the areas shown. The actual areas to be repaired will be determined by the Engineer at the time of construction.
Slope wall shall be reinforced with welded wire fabric, 6 in x 6 in - W4.0 x W4.0, weighing 58 lbs. per 100 sq. ft.

LEGEND:

- Structural Repair of Concrete (Depth Equal to or Less Than 5")
- Slope Wall Repair
- Epoxy Crack Sealing

BILL OF MATERIAL

Item	Unit	Total
Structural Repair of Concrete (Depth Equal to or Less Than 5")	Sq. Ft.	26
Slope Wall Repair	Sq. Yd.	9.1
Epoxy Crack Injection	Foot	51