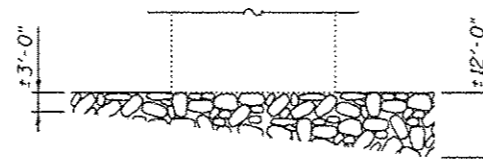
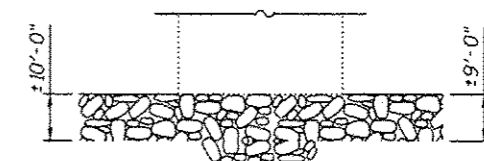


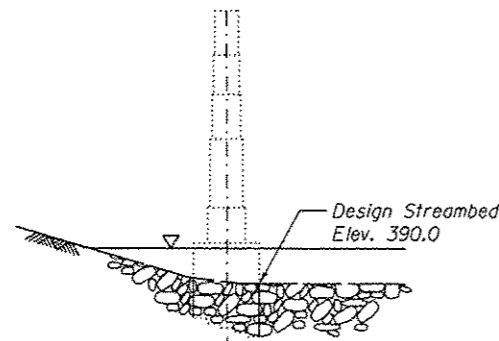
ELEVATION
(East Face)



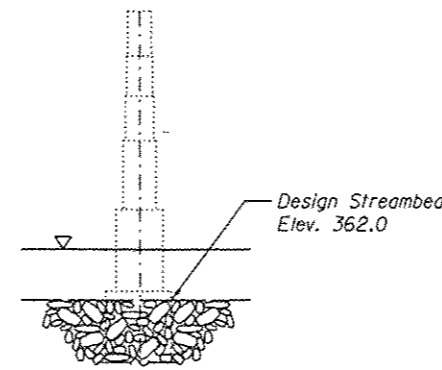
ELEVATION
(East Face)



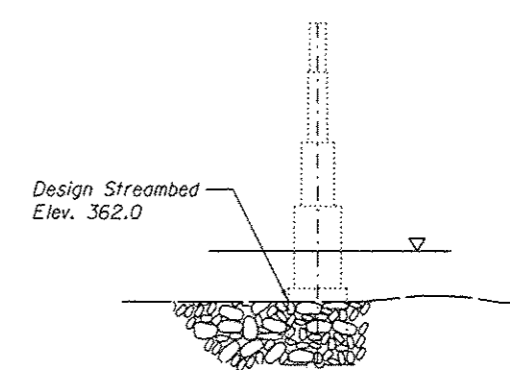
ELEVATION
(West Face)



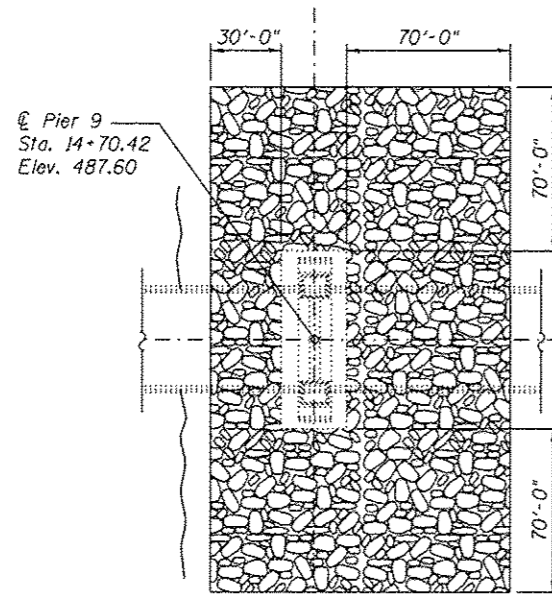
SIDE VIEW
(South Face)



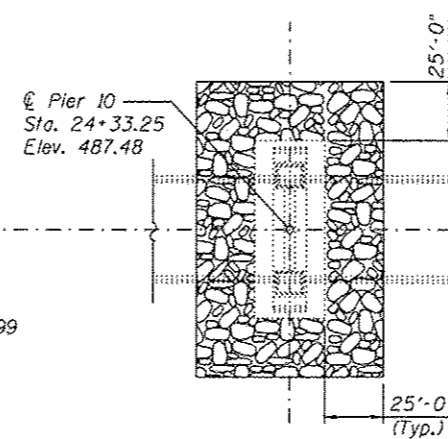
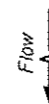
SIDE VIEW
(South Face)



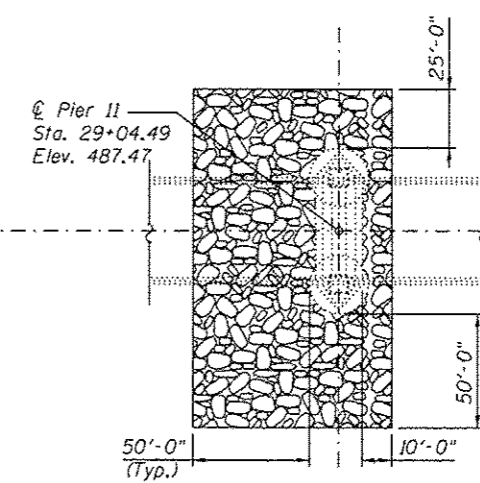
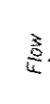
SIDE VIEW
(South Face)



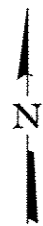
PLAN
(Pier 9)



PLAN
(Pier 10)



PLAN
(Pier 11)



Notes:
The riprap depths shown are maximum depths at respective pier derived from 2013 underwater inspection report. The intention is to provide riprap up to the design stream bed elevation.
Layout of slope protection system may be varied to suit ground conditions in the field as directed by the engineer.
Contractor shall provide sonar verification of scour limits prior to and after placement of Stone Dumped Riprap around Piers 9, 10, and 11. Cost of sonar verification shall be included in Stone Dumped Riprap, Class A7.

BILL OF MATERIAL

Item	Unit	Total
Stone Dumped Riprap, Class A7	Ton	35,085