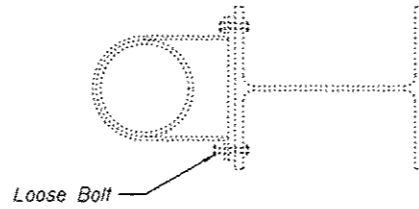
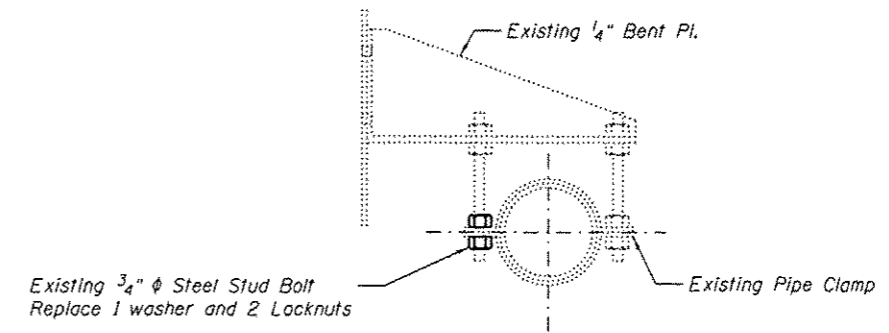


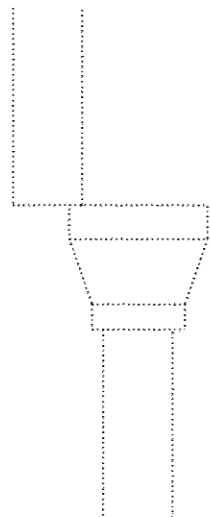
BROKEN DRAIN



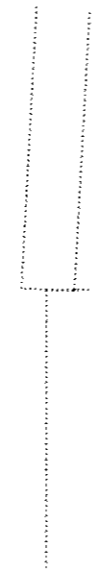
1 LOOSE BOLT IN DRAIN CONNECTION



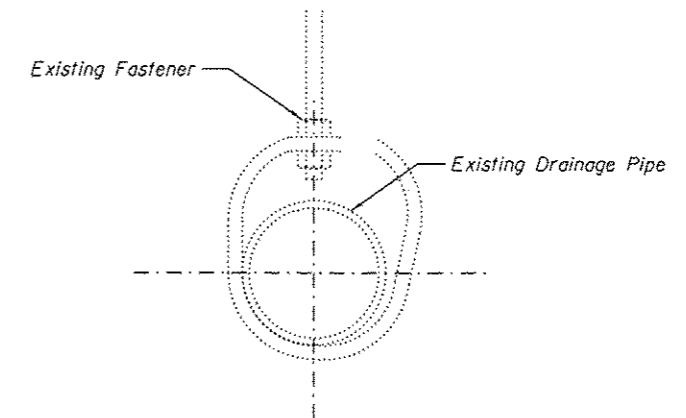
MISSING FASTENER ON DRAIN PIPE SUPPORT



DRAIN DOWNSPOUT MISALIGNED



DRAIN PIPE DISCONNECTED



BROKEN HANGER

TABLE OF REPAIRS

NBIS Item #	Span	Location	Deficiency	Repair
72	4	Midspan at Girder 4	Broken Hanger	Replace Hanger
72	9	Pan. 3, N. Side	Broken Hanger	Replace Hanger
72	9	Pan. 6, N. Side	Broken Hanger	Replace Hanger
72	9	Pan. 8, N. & S. Side	Broken Hanger	Replace Hanger
100	W	Under Stringer 5 at Bent W	Missing Fastener on Drain Pipe Support	Replace Fastener
144	9	Between L7 & L8, N. Side	Drain Downspout Misaligned	Realign Downspout
305	31, 32	North Column of Bent 31	Drain Pipe is Disconnected	Reconnect Drain Pipe
305	31, 32	North Column of Bent 31	Clogged, Full of Debris	*Unclog Drain
309	4	20' from Bent 3 at Girder 1	Broken Drain	Reconnect Drain Pipe
368	W	Throughout South Side	Clogged, Full of Debris	*Unclog Drain
369	1, 2	North Column, 6' from Ground Level	1 Loose Bolt in Drain Connection	Tighten Bolt
372	9	Throughout South Side	Clogged, Full of Debris	*Unclog Drain

*Cost included with Cleaning Drainage System.

Notes:

Repair of the existing drainage system shall include but may not be limited to the locations shown. The final repair locations will be determined by the Engineer prior to repair.

All work shown on this sheet shall be included in pay item Bridge Drainage System Repair unless noted otherwise.

In addition to the repairs shown on this sheet, the drainage system for the entire bridge including scuppers, floor drains and downspouts shall be cleaned. Cost included with Cleaning Drainage System.

BILL OF MATERIAL

Item	Unit	Total
Bridge Drainage System Repair	Each	10
Cleaning Drainage System	L. Sum	1



USER NAME *	DESIGNED - JJA	REVISED -
FILE NAME *	CHECKED - TBP	REVISED -
PLOT SCALE *	DRAWN - AJF	REVISED -
PLOT DATE *	CHECKED - VPT	REVISED -

**STATE OF ILLINOIS
DEPARTMENT OF TRANSPORTATION**

**DRAINAGE REPAIR DETAILS
S.N. 082-6001 MLK BRIDGE OVER MISSISSIPPI RIVER**

SHEET NO. 128 OF 138 SHEETS

F.A.P. RTE.	SECTION	COUNTY	TOTAL SHEETS	SHEET NO.
799	1BR, DRS-2	ST. CLAIR	156	146
CONTRACT NO. 76B03			ILLINOIS FED. AID PROJECT	