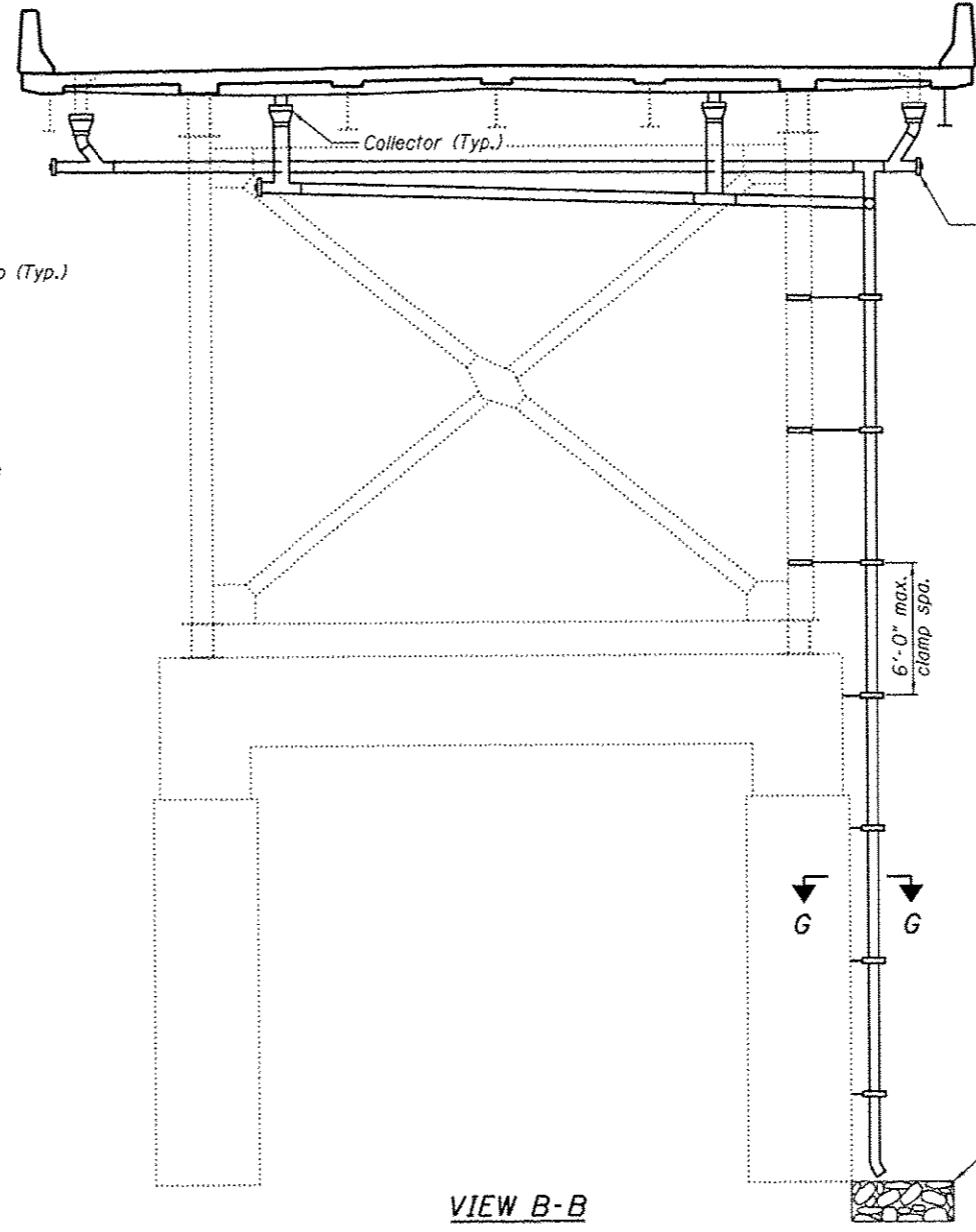
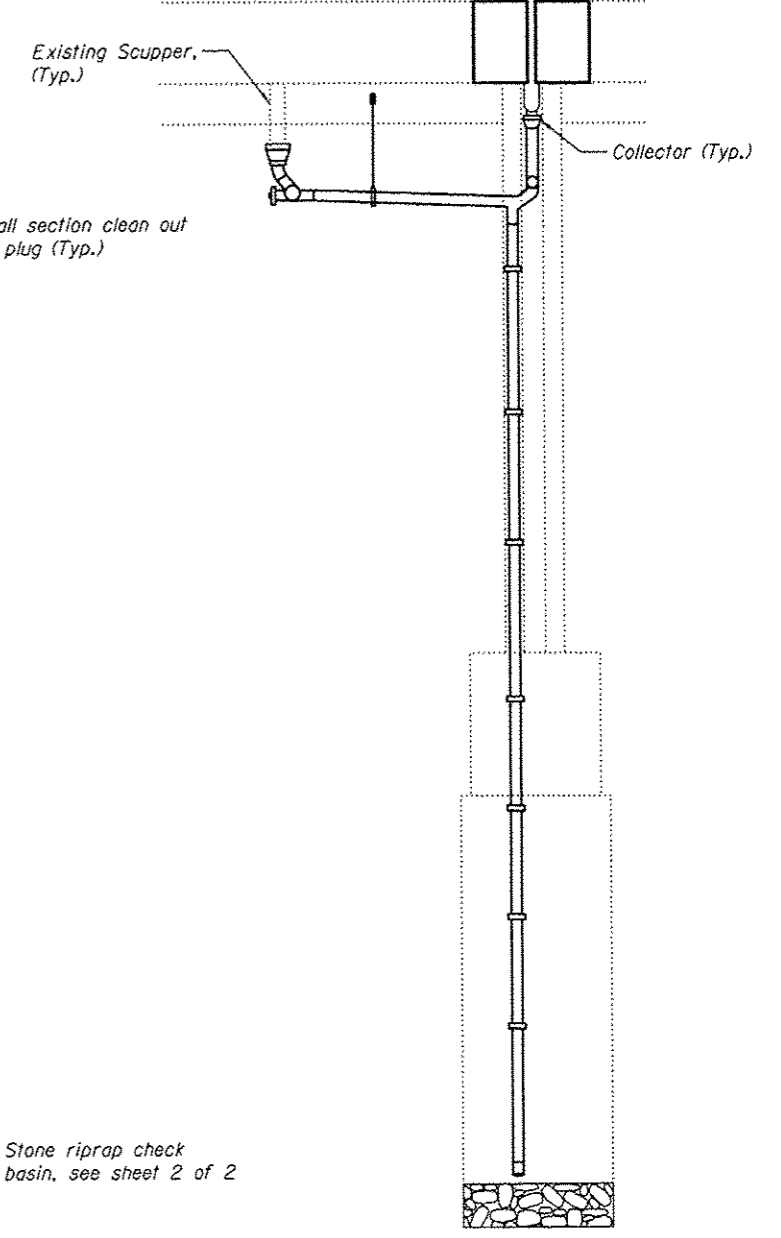


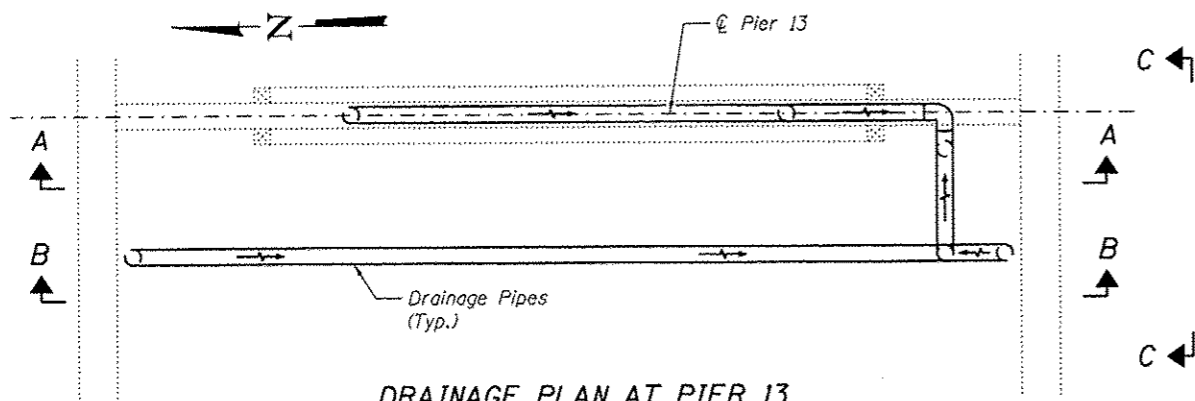
VIEW A-A



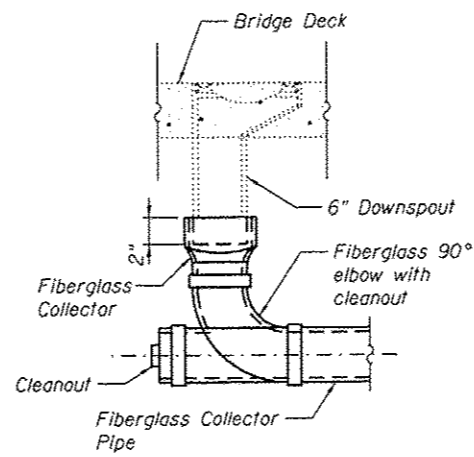
VIEW B-B



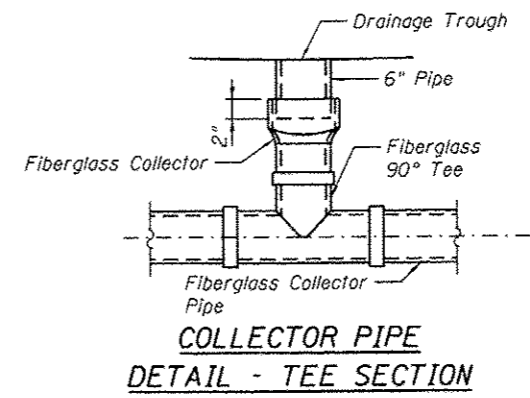
VIEW C-C



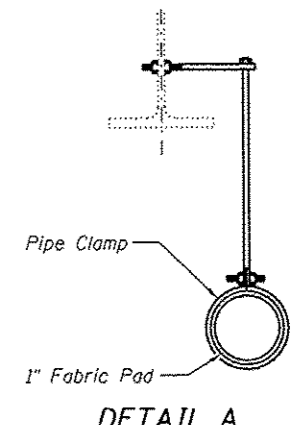
DRAINAGE PLAN AT PIER 13



COLLECTOR PIPE
DETAIL AT SCUPPERS



COLLECTOR PIPE
DETAIL - TEE SECTION



DETAIL A

Notes:
See sheet S130 of S138 for drainage details at Pier 12.
see sheet S130 of S138 for additional notes, sections,
details and bill of material.

(Sheet 1 of 2)