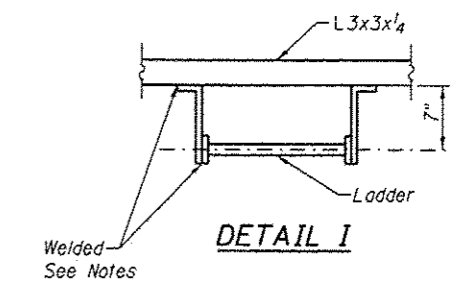
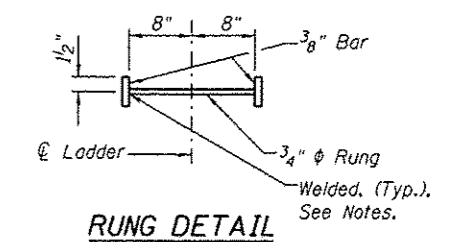


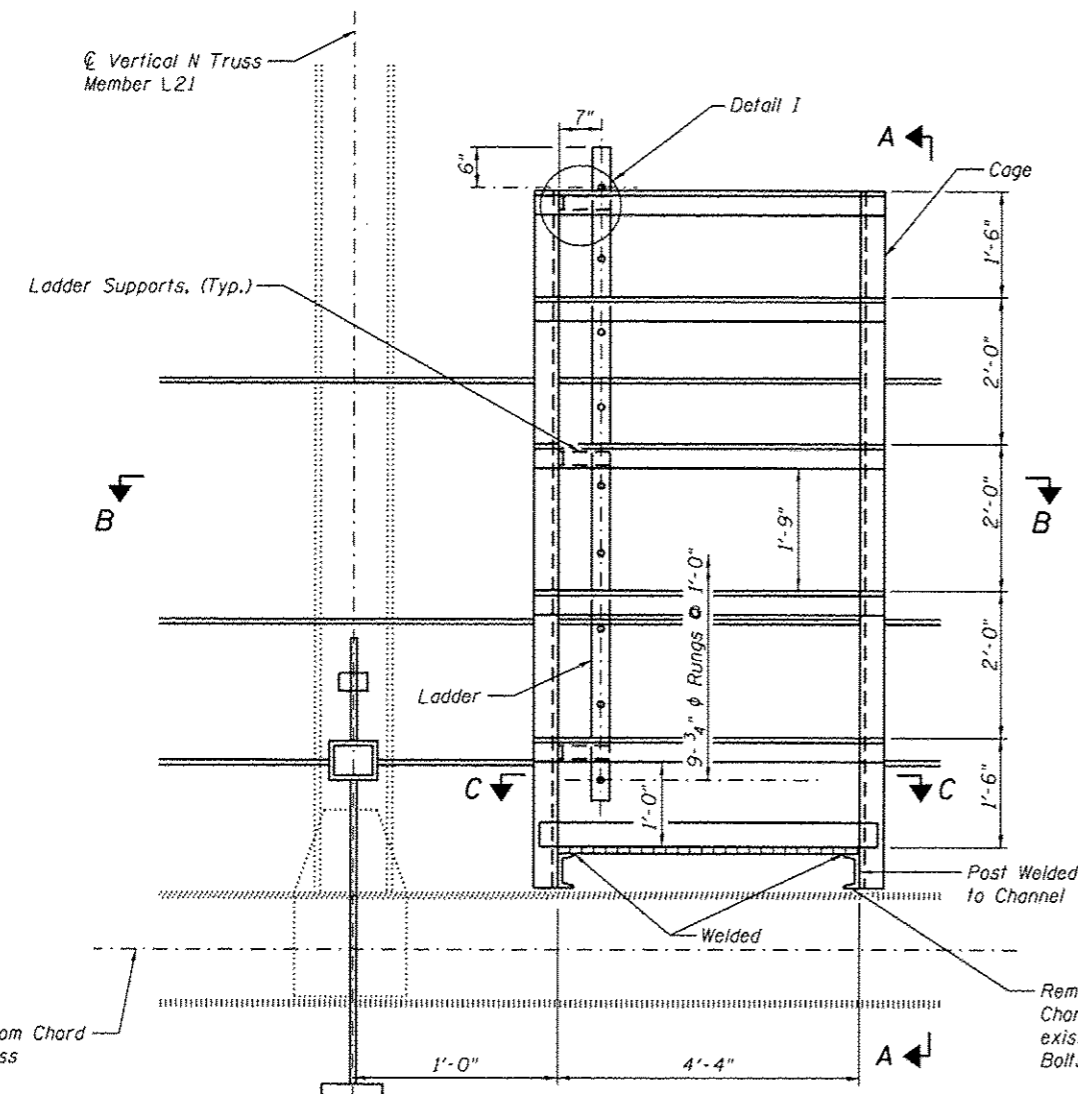
VIEW B-B



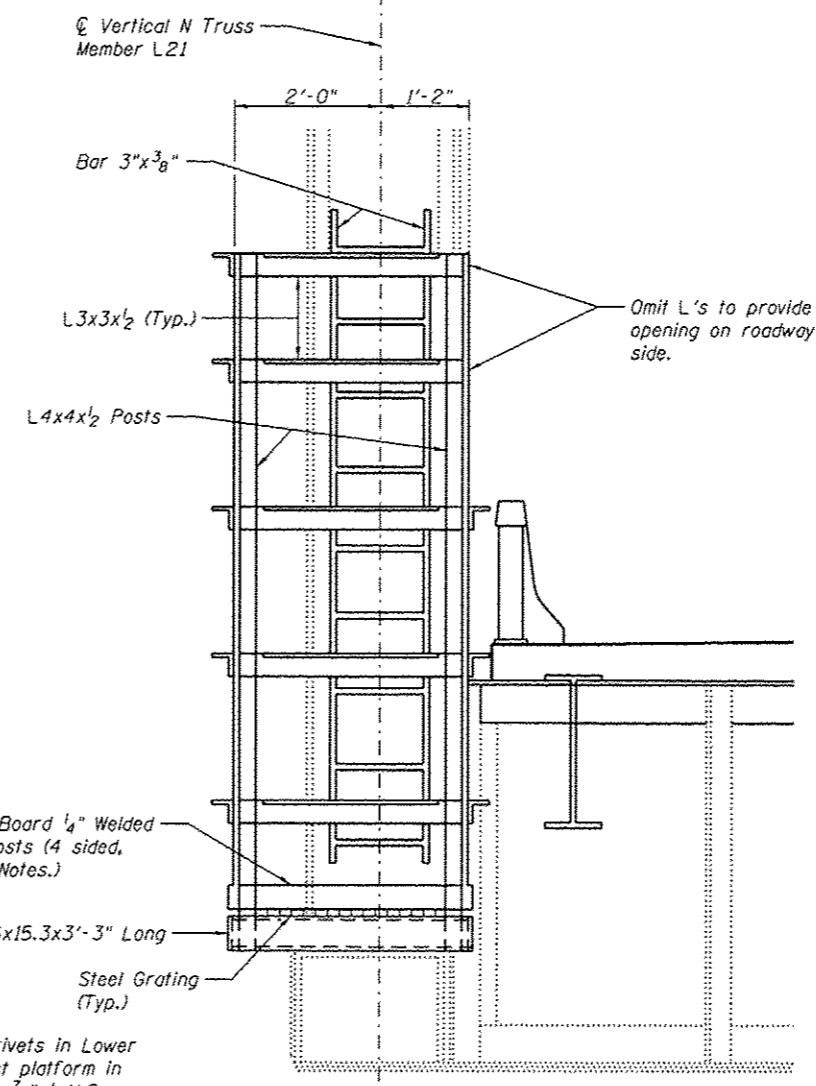
DETAIL I



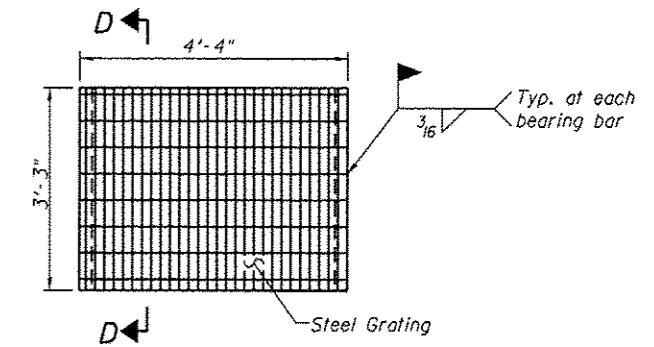
RUNG DETAIL



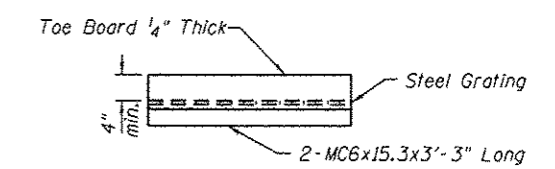
ELEVATION
(North Truss Shown)
(South Truss Similar)



VIEW A-A



SECTION C-C



SECTION D-D

BILL OF MATERIAL

Item	Unit	Total
Access Ladder	Each	2

Notes:
 Weld, Ladder, Cage, & Platform shall meet OSHA Requirements.
 All welds shall be 3/16" fillet welds & shall be all around and continuous, unless otherwise shown.
 One cage with access ladder is required at L21 on each side of the bridge.
 All work shown on this sheet is included with pay item Access Ladder.
 See General notes for details of painting of new steel.
 See Lighting Repairs for locations and details about lights.
 Grating shall provide 100 psf min. Live Load capacity.