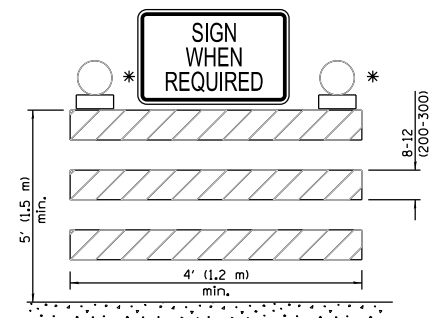
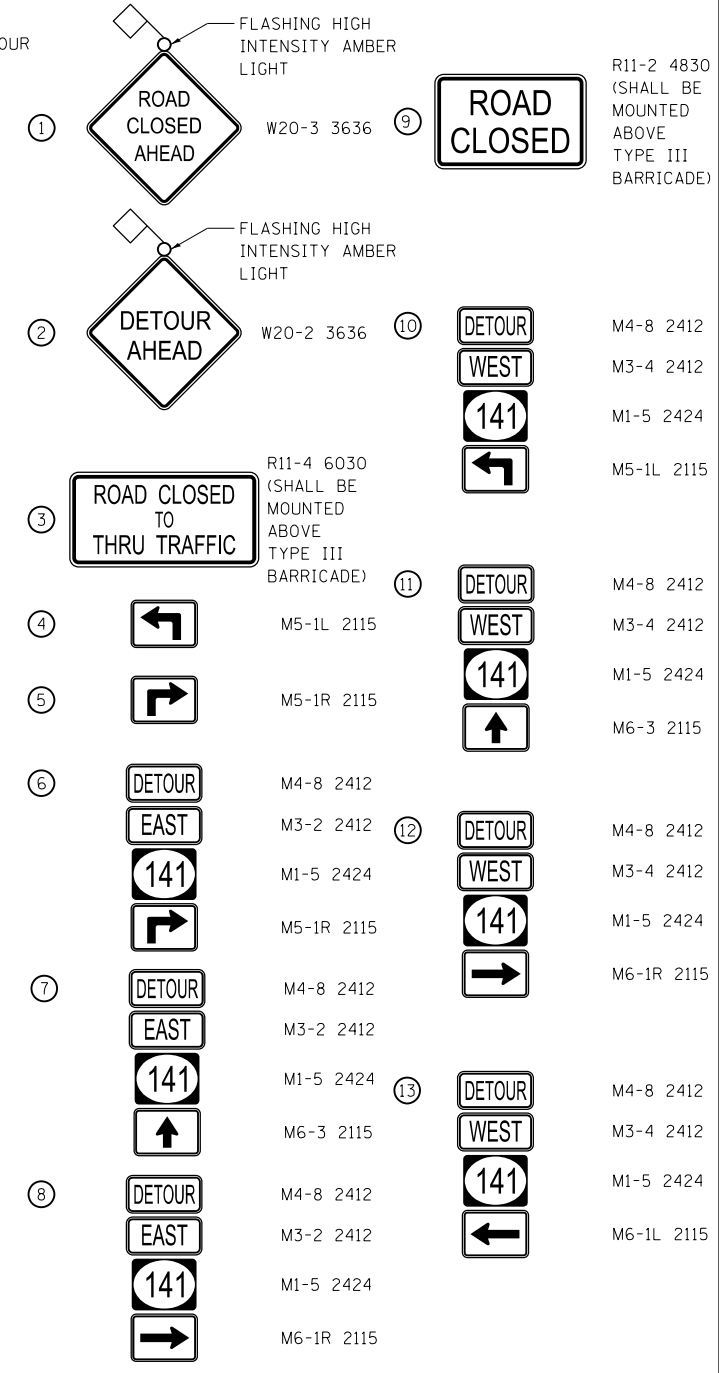
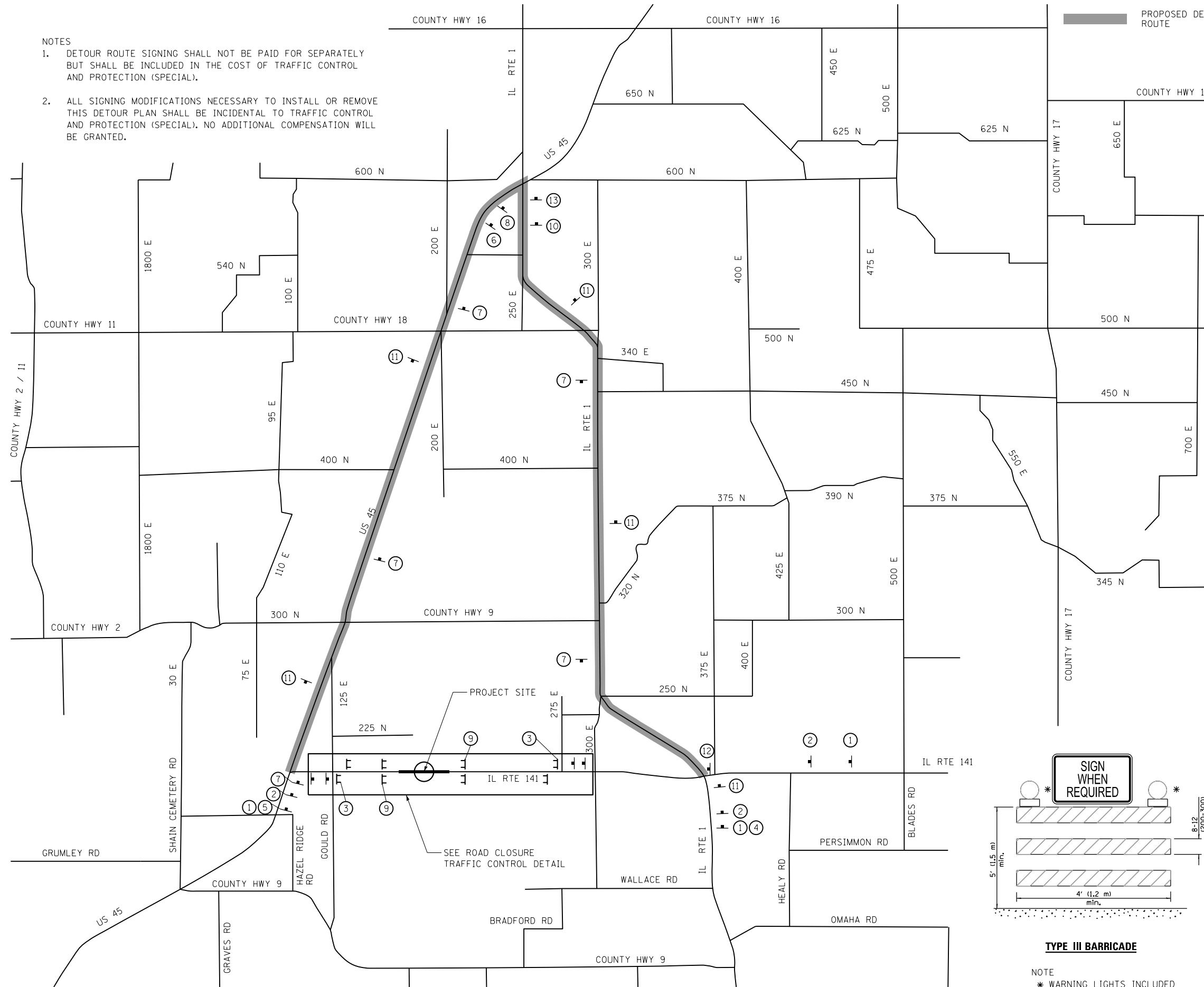


NOTES

1. DETOUR ROUTE SIGNING SHALL NOT BE PAID FOR SEPARATELY BUT SHALL BE INCLUDED IN THE COST OF TRAFFIC CONTROL AND PROTECTION (SPECIAL).
2. ALL SIGNING MODIFICATIONS NECESSARY TO INSTALL OR REMOVE THIS DETOUR PLAN SHALL BE INCIDENTAL TO TRAFFIC CONTROL AND PROTECTION (SPECIAL). NO ADDITIONAL COMPENSATION WILL BE GRANTED.



TYPE III BARRICADE

NOTE
* WARNING LIGHTS INCLUDED

FILE NAME = D978231-sht-staging.dgn
MODEL = Default
PLOT DRIVER = 100T_PDF.plt



USER NAME = twalker	DESIGNED - MCV	REVISED -
FILE NAME = D978231-sht-staging.dgn	DRAWN - CMM	REVISED -
PLOT SCALE = 48.0000' / in.	CHECKED - MTM	REVISED -
PLOT DATE = 7/8/2014	DATE -	REVISED -

**STATE OF ILLINOIS
DEPARTMENT OF TRANSPORTATION**

ILLINOIS ROUTE 141 DETOUR PLAN

SCALE: NONE SHEET NO. 1 OF 1 SHEETS STA. TO STA.

F.A.P. RTE.	SECTION	COUNTY	TOTAL SHEETS	SHEET NO.
877	100B-1	WHITE	54	13
CONTRACT NO. 78231				
ILLINOIS FED. AID PROJECT				