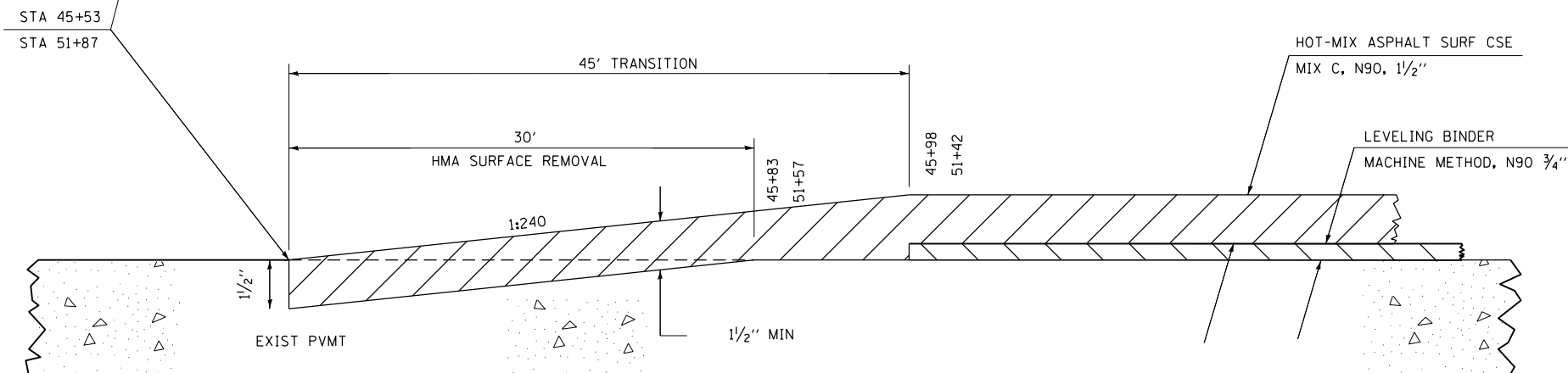
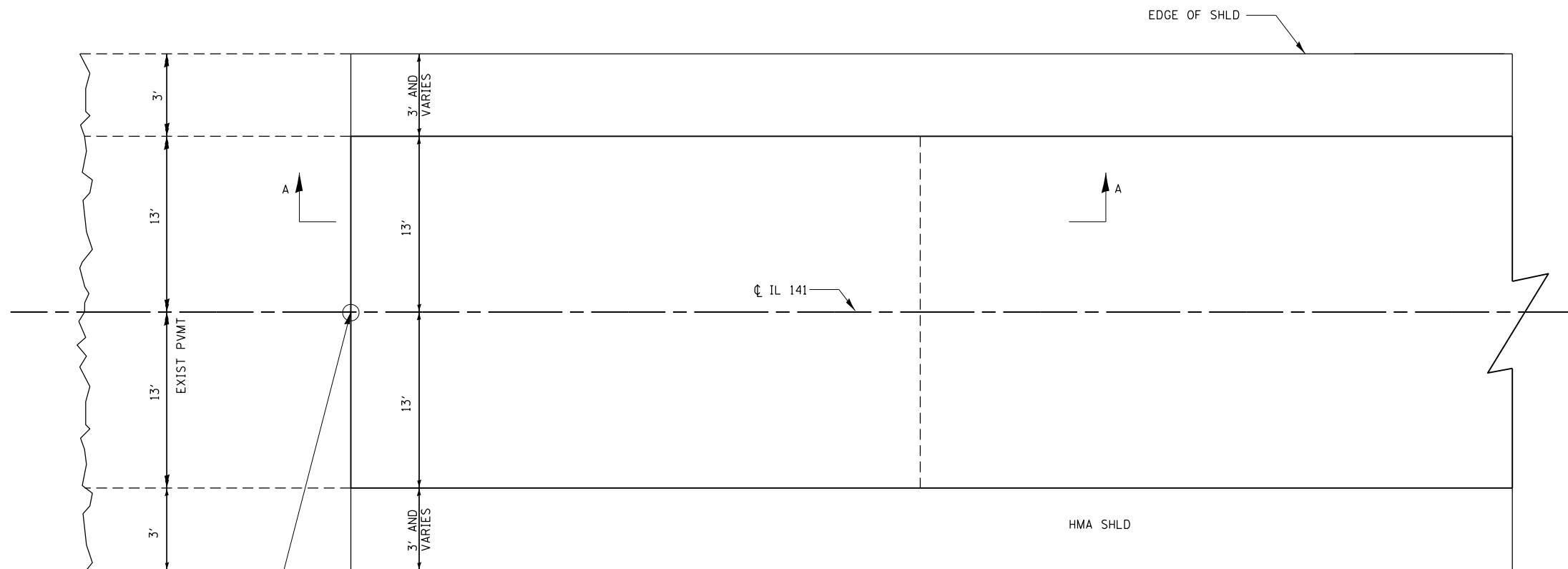


**BUTT JOINT**



**SECTION A-A**

REVISIONS	
DRAWN	10-17-90
REVISED	01-11-07
REVISED	3-25-08
REVISED	

STD. 9-86

FILE NAME = D978231-sht-detail.dgn  
 MODEL = Default  
 PLOT DRIVER = I00T\_PDF.plt



USER NAME = twalker  
 FILE NAME = D978231-sht-detail.dgn  
 PLOT SCALE = 40.0000' / in.  
 PLOT DATE = 7/8/2014

DESIGNED -  
 DRAWN -  
 CHECKED -  
 DATE -

REVISED -  
 REVISED -  
 REVISED -  
 REVISED -

**STATE OF ILLINOIS  
 DEPARTMENT OF TRANSPORTATION**

**BUTT JOINT DETAIL**

SCALE: NONE SHEET NO. 1 OF 1 SHEETS STA. TO STA.

F.A.P. RTE.	SECTION	COUNTY	TOTAL SHEETS	SHEET NO.
877	100B-1	WHITE	54	16
CONTRACT NO. 78231				
ILLINOIS FED. AID PROJECT				