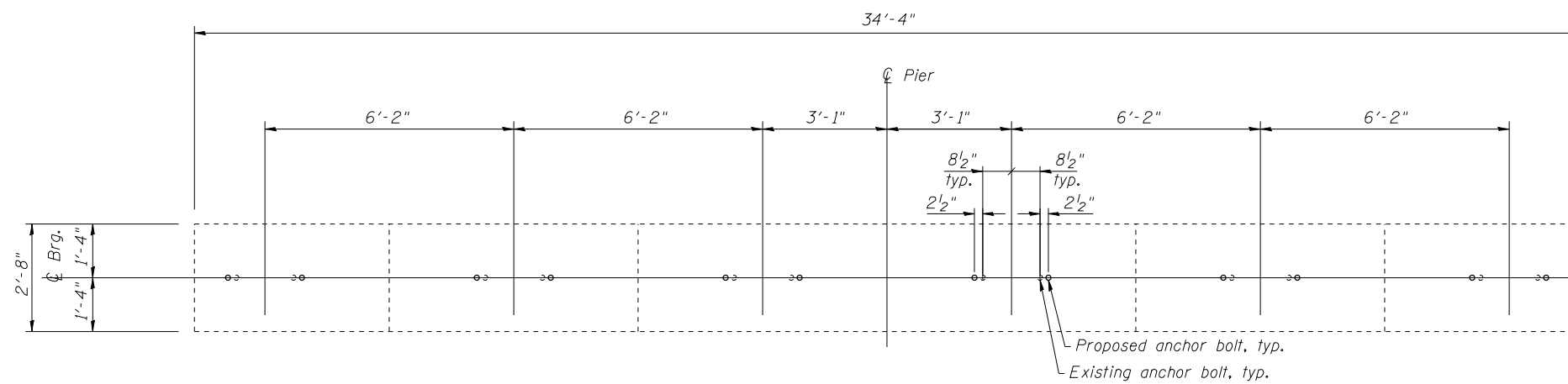


PLAN - PIER 1



PLAN - PIER 2



|                                 |                |       |           |
|---------------------------------|----------------|-------|-----------|
| USER NAME = kah                 | DESIGNED - SHL | 02/13 | REVISED - |
| ESCA PROJECT NO. 988.14         | CHECKED - RDP  | 02/13 | REVISED - |
|                                 | DRAWN - DWH    | 02/13 | REVISED - |
| PLOT DATE = 7/3/2014 8:40:06 AM | CHECKED - SHL  | 05/13 | REVISED - |

**STATE OF ILLINOIS  
DEPARTMENT OF TRANSPORTATION**

**PIERS 1 & 2  
STRUCTURE NO. 097-0027**

SHEET NO. 19 OF 22 SHEETS

| F.A.P. RTE.                   | SECTION | COUNTY | TOTAL SHEETS | SHEET NO. |
|-------------------------------|---------|--------|--------------|-----------|
| 877                           | 100B-1  | WHITE  | 54           | 38        |
| CONTRACT NO. 78231            |         |        |              |           |
| ILLINOIS FED. AID PROJECT AID |         |        |              |           |