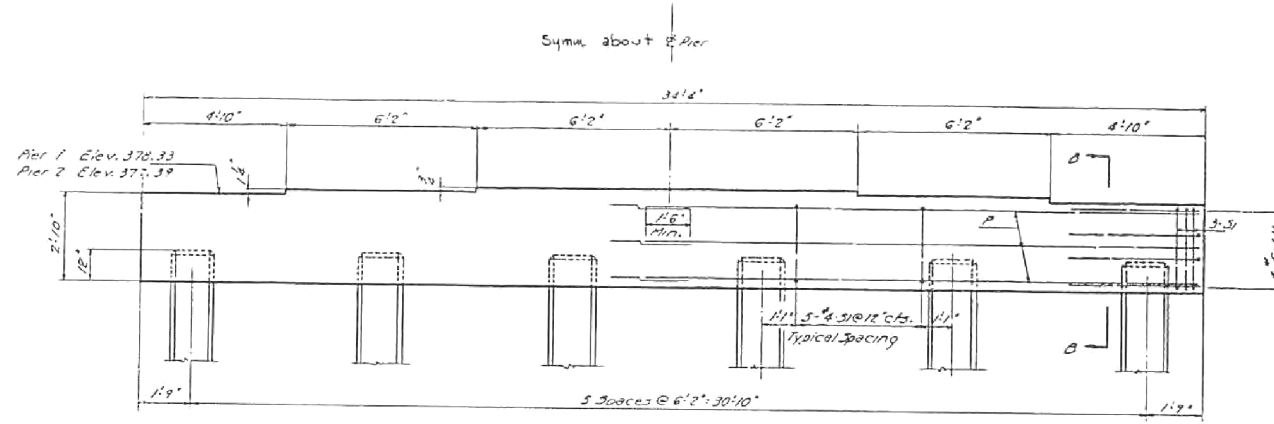


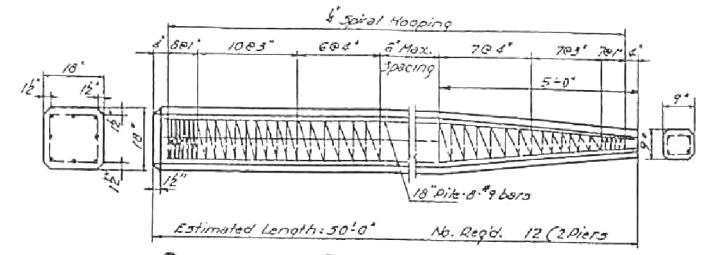
STATE OF ILLINOIS
DEPARTMENT OF PUBLIC WORKS & BUILDINGS
DIVISION OF HIGHWAYS

NO. 113	100B	White-Gallatin	11	10
F.A.P. R.T.E. 113		SECTION 100-B	PROJECT F-221(5)	

SHEET NO. 5
6 SHEETS

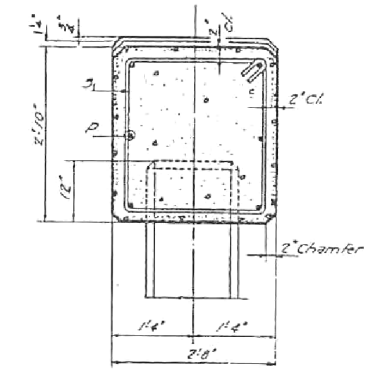


ELEVATION OF PIER
Scale: 3/8" = 1'-0"

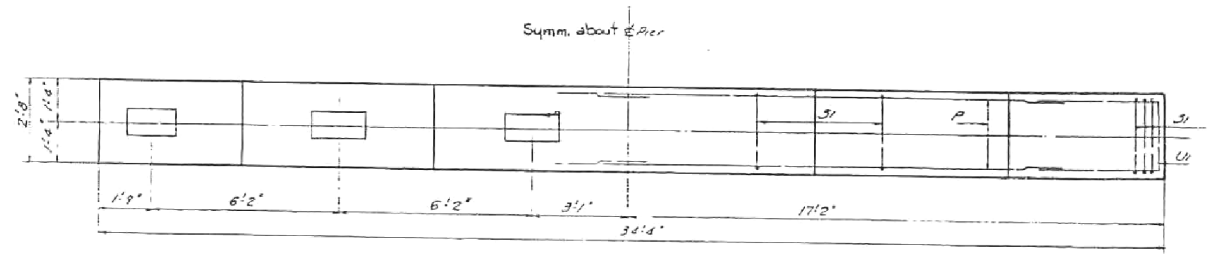


DETAIL OF PRECAST CONCRETE PILES

PILE DATA
Capacity: 45 Tons
Est. Length: 30 Ft.
No. Piers: 12 (2 Piers)



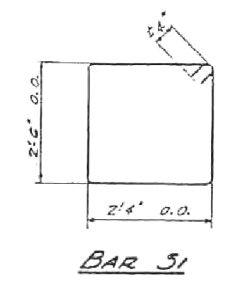
SECTION B-B



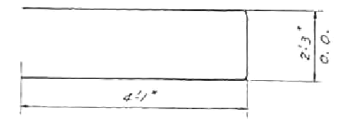
PLAN OF PIER
Scale: 3/8" = 1'-0"

BILL OF MATERIAL - 2 PIERS

BAR	NO.	SIZE	LENGTH	SHAPE
P	24	#7	17'-6"	
S1	62	#4	10'-3"	□
U1	16	#6	10'-5"	□
Class-X Concrete		Cu. Yds	18.3	
Reinforcement Bars		Lbs.	1590	
18" Precast Concrete Pile		Lin. Ft.	550	
Test Pile		Each	1	



BAR S1



BAR U1

DESIGNED	M. G. Carroll
CHECKED	Am. Chan
DRAWN	M. G. C.
CHECKED	H. C.

APPROVED: *[Signature]*
DATE: April 12, 1955

PIERS
F.A. RTE. 113 - SECTION 100-B
PROJECT F-221(5)
WHITE COUNTY
STATION 48+70

FILE NAME = D978231-sht-existingstructure.dgn
MODEL = Default
PLOT DRIVER = IODT_PDF.plt



USER NAME = twalker	DESIGNED - MCV	REVISED -
FILE NAME = D978231-sht-existingstructure.dgn	DRAWN - CMM	REVISED -
PLOT SCALE = 48.0000 / in.	CHECKED - MTM	REVISED -
PLOT DATE = 7/8/2014	DATE -	REVISED -

STATE OF ILLINOIS
DEPARTMENT OF TRANSPORTATION

EXISTING STRUCTURE PLANS
FOR INFORMATION ONLY

SCALE: NONE SHEET NO. 8 OF 8 SHEETS STA. TO STA.

F.A.P. R.T.E.	SECTION	COUNTY	TOTAL SHEETS	SHEET NO.
877	100B-1	WHITE	54	47
CONTRACT NO. 78231				
ILLINOIS FED. AID PROJECT				