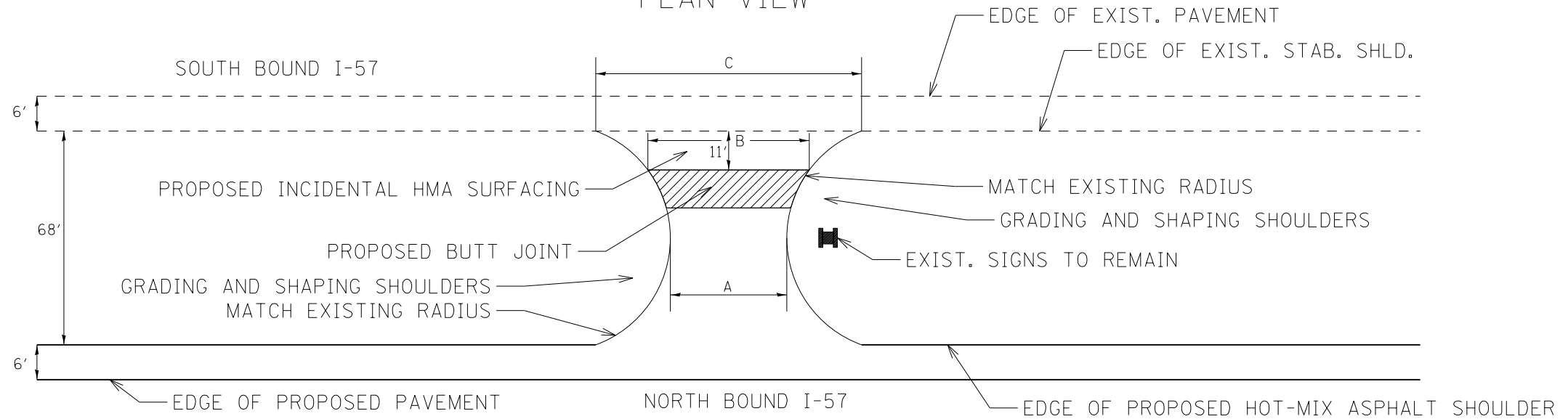


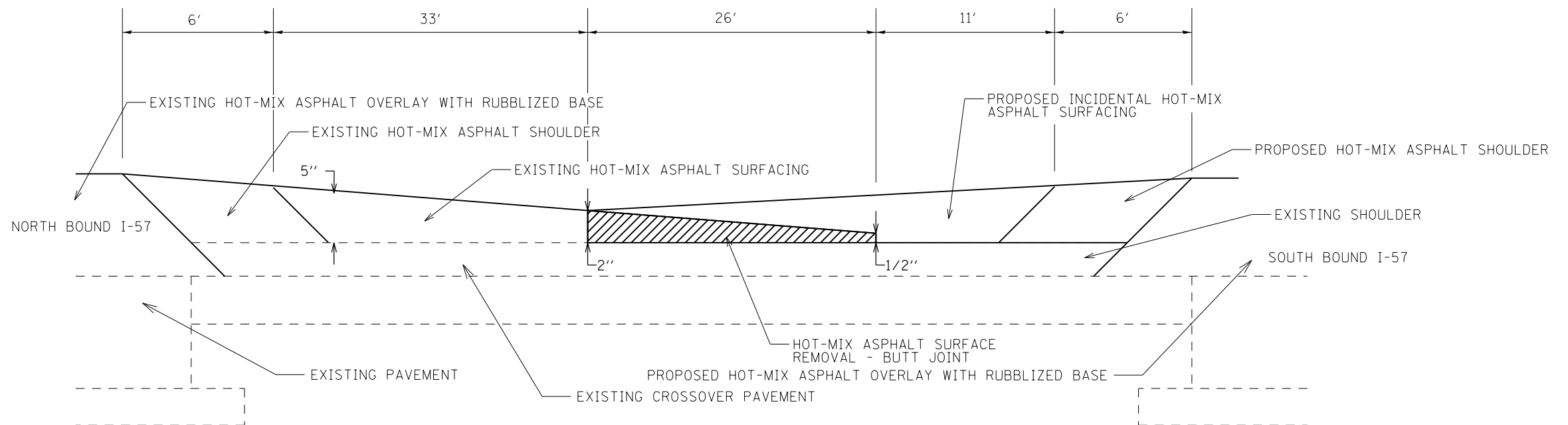
TO BE USED:

STATION	A	B	C
	FOOT	FOOT	FOOT
166+40	37.7	73	106.8
245+70	38.1	76.7	105.4
328+65	38.9	113.7	108.1

DETAIL OF MEDIAN CROSSOVER PLAN VIEW



DETAIL OF MEDIAN CROSSOVER FINAL PAVING CROSS SECTIONAL VIEW



FILE NAME =	USER NAME = colemm	DESIGNED -	REVISED -
ct:\pw\work\p1dot\colemm\d0351283\78380	shiti-details.dgn	DRAWN -	REVISED -
Default	PLOT SCALE = 100.0000' / 1in.	CHECKED -	REVISED -
	PLOT DATE = 8/22/2014	DATE -	REVISED -

**STATE OF ILLINOIS
DEPARTMENT OF TRANSPORTATION**

**MEDIAN CROSSOVER
RESURFACING DETAIL**

SCALE: SHEET OF SHEETS STA. TO STA.

F.A.I. RTE.	SECTION	COUNTY	TOTAL SHEETS	SHEET NO.
57	•	WILLIAMSON	107	95
			CONTRACT NO. 78380	