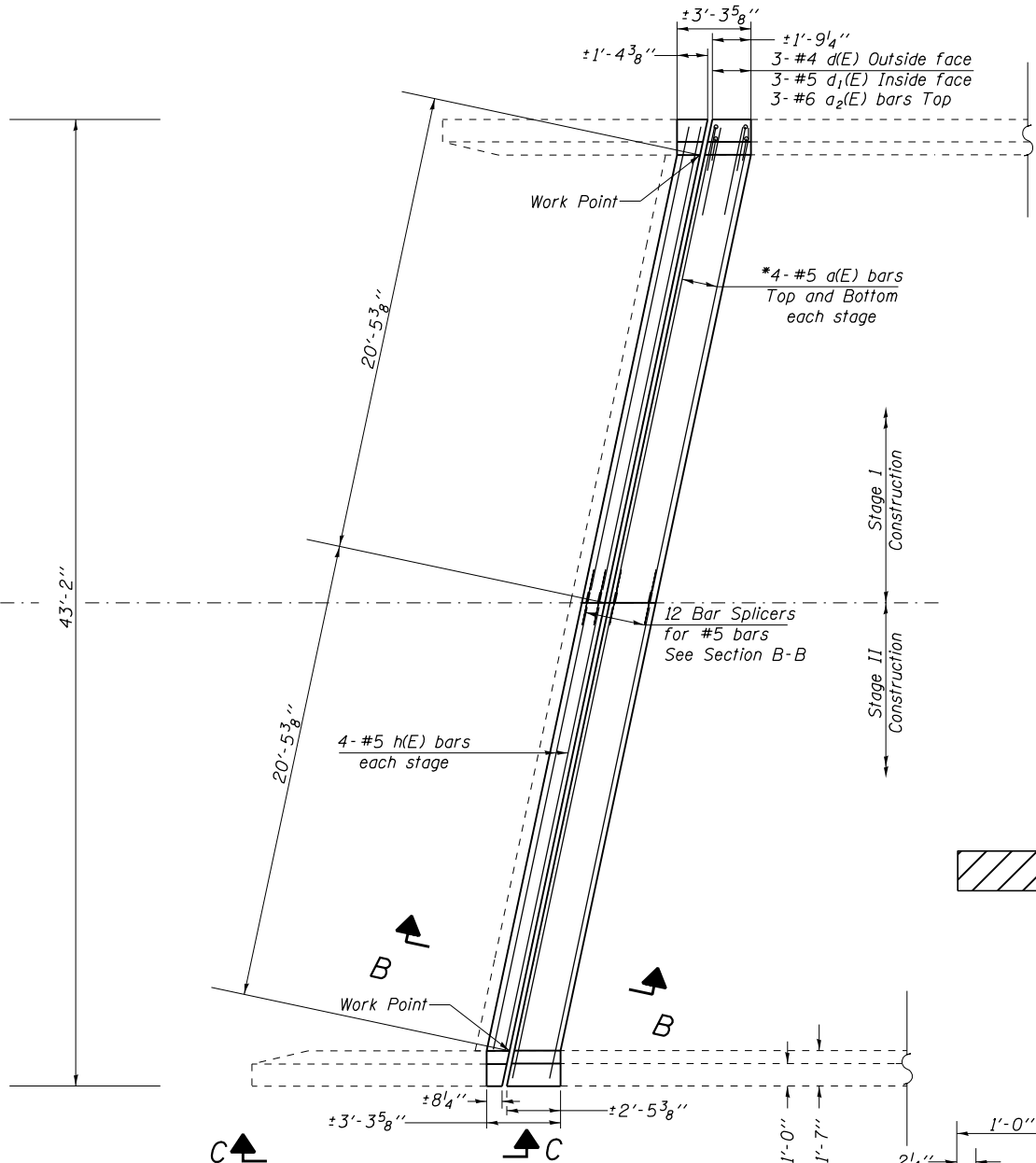
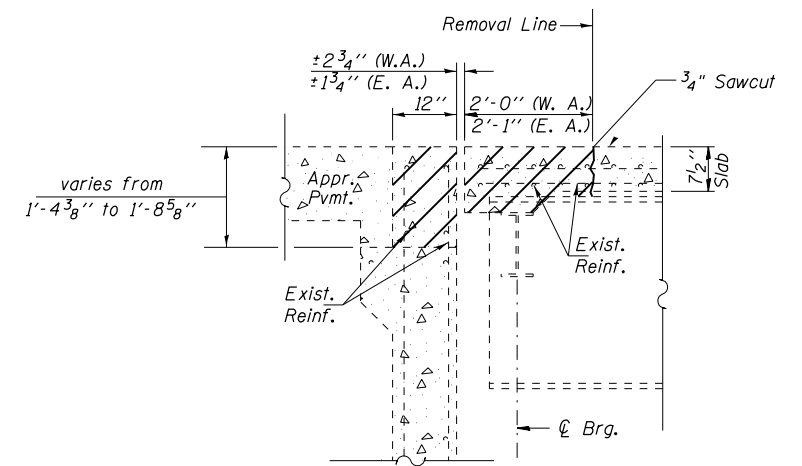


**WEST ABUT. PLAN  
SHOWING CONCRETE REMOVAL**  
East Abut. similar by 180° rotation

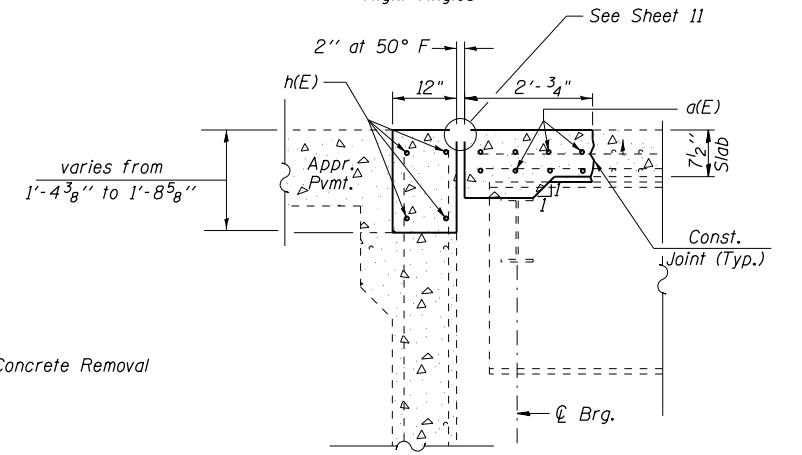


**WEST ABUT. PLAN  
SHOWING NEW CONCRETE**  
East Abut. similar by 180° rotation



**SECTION A-A**

Dimensions measured @ Right Angles

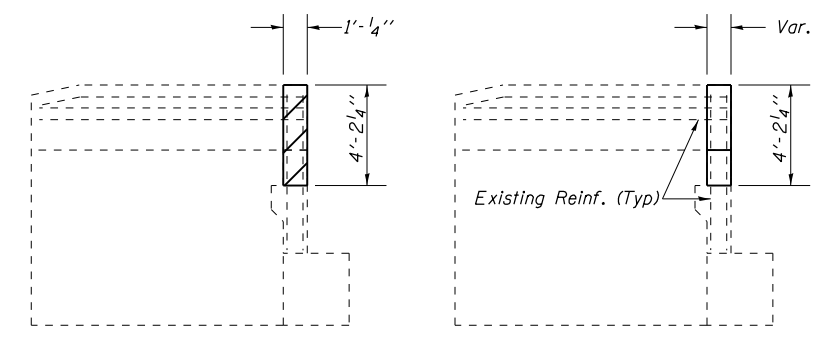


**SECTION B-B**

Dimensions measured @ Right Angles

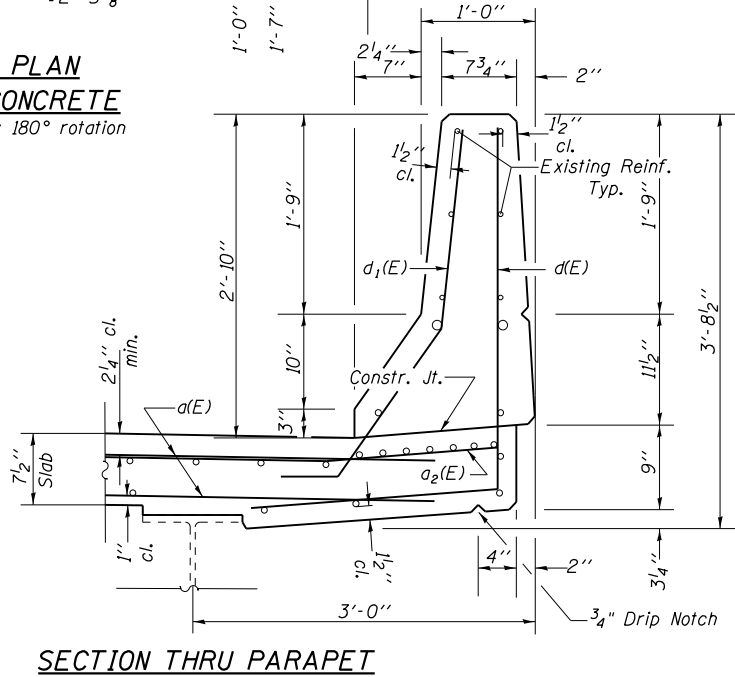
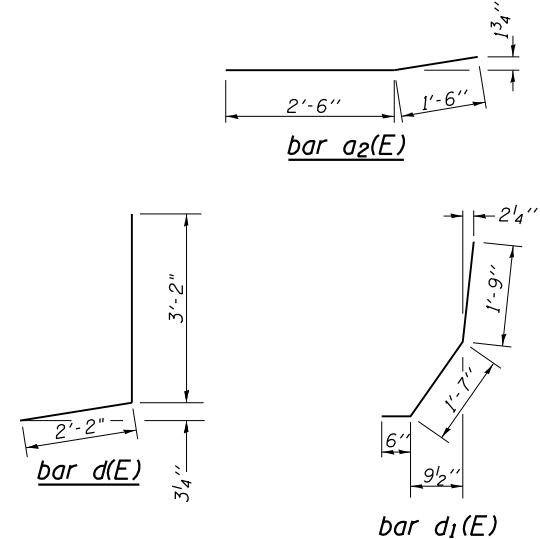
**BILL OF MATERIAL (2 ABUTMENTS)**

Bar	No.	Size	Length	Shape
a(E)	32	#5	21'-6"	—
a2(E)	12	#6	4'-0"	—
d(E)	12	#5	5'-4"	J
d1(E)	12	#5	3'-10"	J
h(E)	16	#5	20'-0"	—
Bar Splicers		Each	22	
Concrete Superstructure		Cu Yd	12.4	
Concrete Removal		Cu Yd	12.2	
Reinforcement Bars, Epoxy Coated		Pound	2670	



**VIEW D-D**  
Showing Concrete Removal

**VIEW C-C**  
Showing Concrete Superstructures



**SECTION THRU PARAPET**

**ABUTMENT JOINTS  
REPLACEMENT DETAILS  
SN 041-0026**

\*D9 CM BRIDGE REPAIR 2015-2