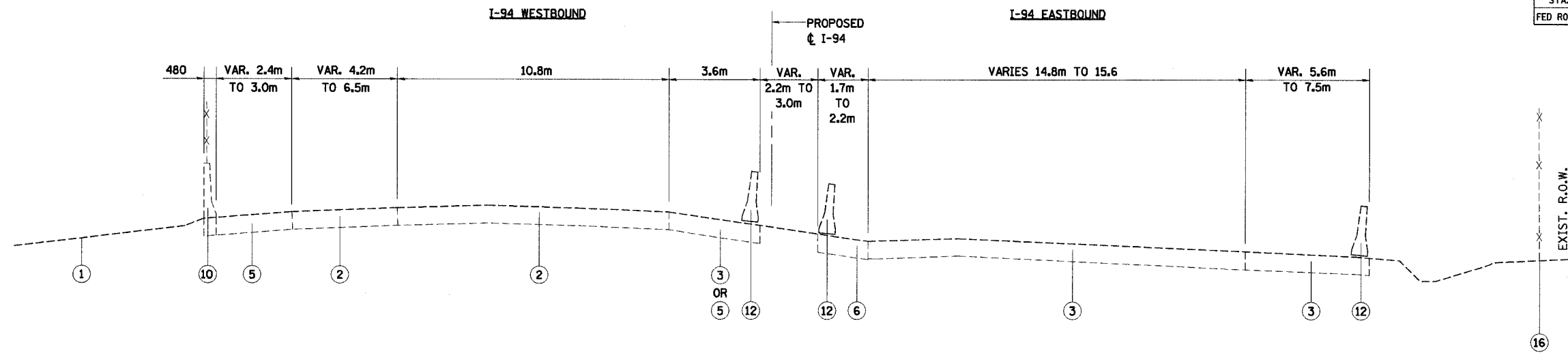
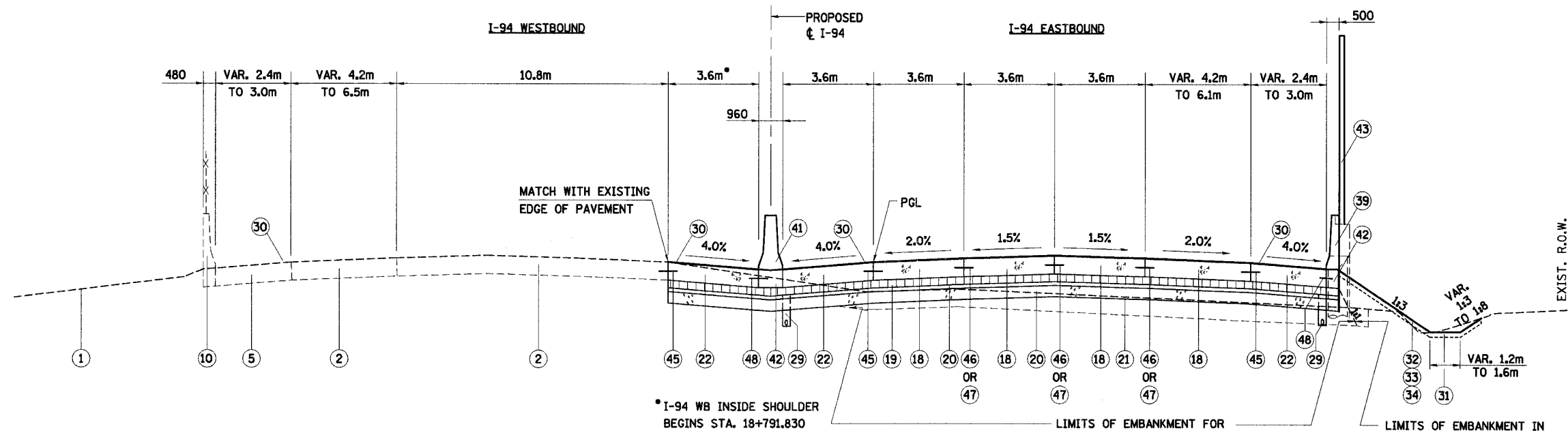


F.A.I. RTE	SECTION	COUNTY	TOTAL SHEETS	SHEET NO.
80/94	*	COOK	870	21
STA.		TO STA.		
FED ROAD DIST. NO.		ILLINOIS FED. AID PROJECT		



EXISTING TYPICAL SECTION - INTERSTATE 94

STATION 18+729.114 TO STATION 18+824.163
LOOKING SOUTH

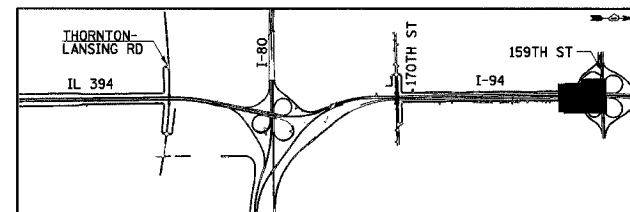


PROPOSED TYPICAL SECTION - INTERSTATE 94

STATION 18+729.114 TO STATION 18+824.163
LOOKING SOUTH

TS-4

NOTE: SEE TS-1 FOR LEGEND AND NOTES.



REVISIONS	
NAME	DATE

ILLINOIS DEPARTMENT OF TRANSPORTATION
I-94 EAST BOUND / IL 394 SOUTH BOUND

**TYPICAL SECTIONS
I-94**

HORIZ SCALE: N.T.S.
VERT SCALE: N.T.S.
DATE: JULY 18, 2005

DRAWN BY: JYMC
CHECKED BY: JES

HNTB