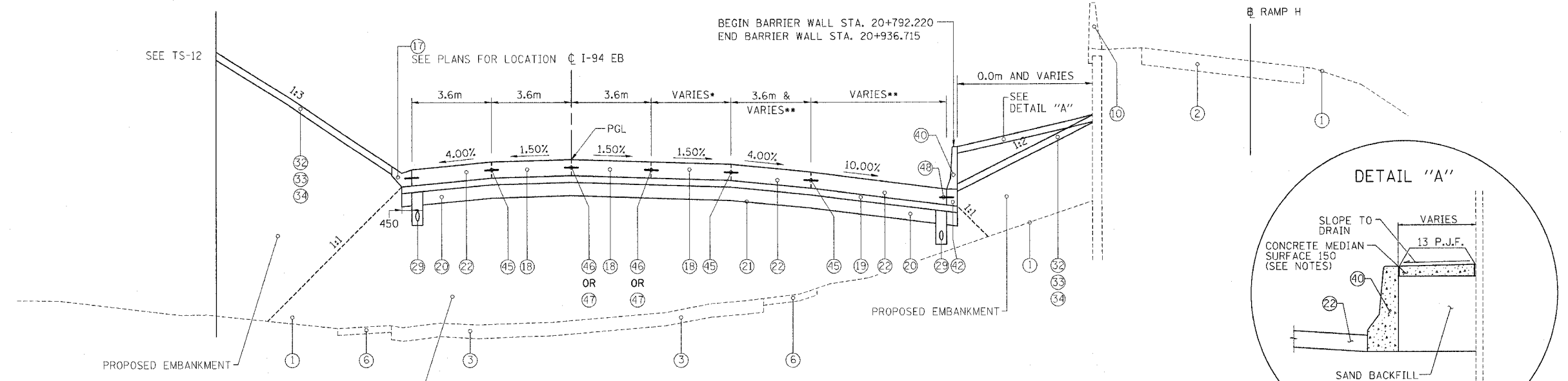


* (0203.1 & 0312-708W) R-3		CONTRACT #62108	
F.A.I. RTE.	SECTION	COUNTY	TOTAL SHEETS
BO/394	*	COOK	870
STA.		TO STA.	
FED. ROAD DIST. NO. 1		ILLINOIS FED. AID PROJECT	

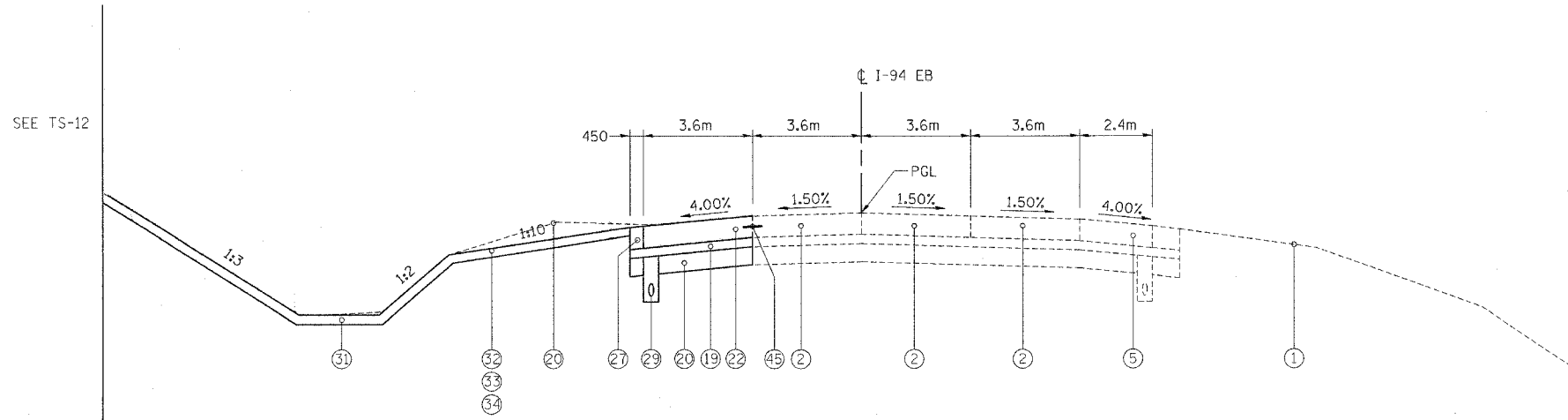


PROPOSED TYPICAL SECTION - INTERSTATE 94 EB
 STA. 20+850.000 TO STA. 20+991.466 @ I-94 EB

- * PAVEMENT TRANSITION FROM 0.0m TO 3.6m FROM STATIONS 20+850.000 TO 20+932.500. SEE PE-7 AND PE-8 FOR DETAILS
- ** SEE PE-7 FOR DETAILS.

NOTES:

1. FURNISHING AND INSTALLING CONCRETE MEDIAN SURFACE 150, SAND BACKFILL, PREFORMED JOINT FILLER AND CONCRETE BULKHEAD SHALL BE INCLUDED IN COST OF CONCRETE BARRIER, SINGLE FACE, 1065 MM HEIGHT.
2. FROM STA. 20+890.267 TO STA. 20+898.105.



PROPOSED TYPICAL SECTION - INTERSTATE 94 EB
 STA. 20+991.466 TO STA. 21+044.600 @ I-94 EB

FOR LEGEND AND NOTES SEE SHEET TS-1

REVISIONS	
NAME	DATE

TS-11

ILLINOIS DEPARTMENT OF TRANSPORTATION
 I-94 EASTBOUND / IL 394 SOUTHBOUND

TYPICAL SECTIONS

DRAWN BY: CTT
 CHECKED BY: RCH

DATE: JULY 18, 2005

McDonough Associates Inc.
 Engineers / Architects