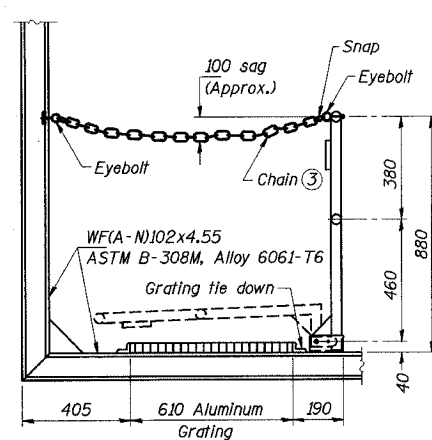


STATE OF ILLINOIS
DEPARTMENT OF TRANSPORTATION

ROUTE NO.	SECTION	COUNTY	TOTAL SHEETS	SHEET NO.
F. A. I. 80/94		COOK	870	333
FED. ROAD DIST. NO. 1		ILLINOIS FED. AID PROJECT-		
(0205.1 & 0312-708W) R3		CONTRACT NO. 62108		

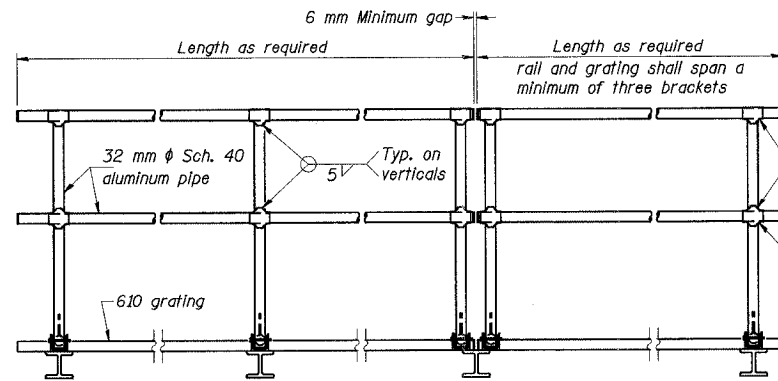


SIDE ELEVATION

(Showing Safety Chain W/O Sign)

HANDRAIL DETAILS

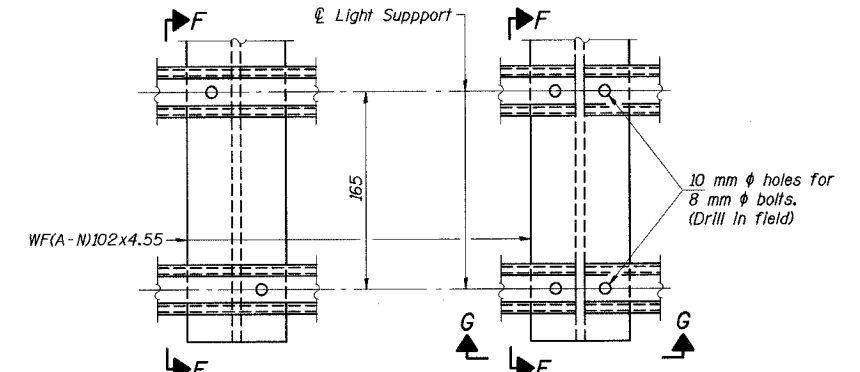
Handrail pipe shall be ASTM B241M, Alloy 6063-T6 or Alloy 6061-T6.



FRONT ELEVATION

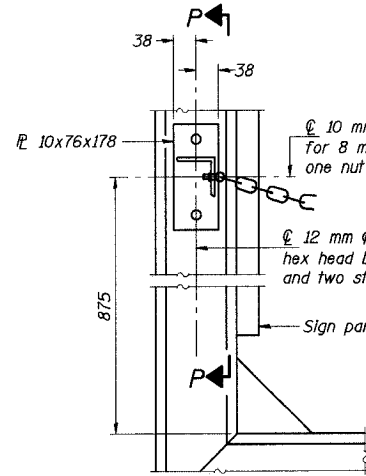
- ① Install standard force-fit end caps or weld 3 mm end plates with 3 mm c.f.w. and grind smooth. (All rail ends)
- ② Horizontal handrail member shall be continuous thru fitting. Provide 12 mm ϕ hole in fitting for 10 mm ϕ bolt. Field drill 12 mm ϕ hole in horizontal rail member. Provide locknut and two stainless steel washers for bolt. (Use 8 mm eyebolts in 12 mm ϕ holes on top rail at ends only.)

Fittings-ASTM B-26M, Alloy 356-T7



DETAIL F

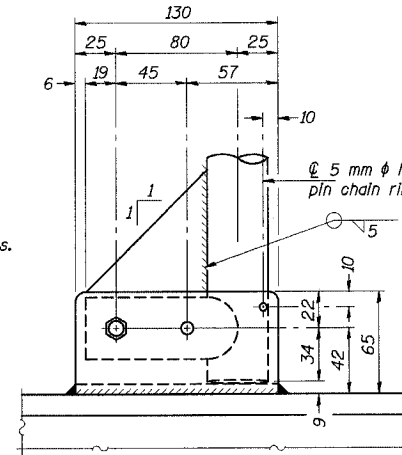
DETAIL G



ALTERNATE SAFETY CHAIN ATTACHMENT

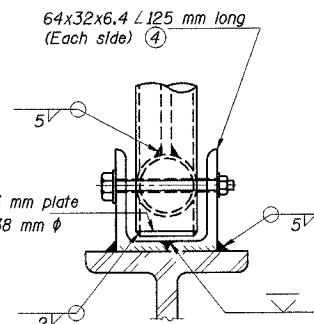
(With Sign Present)

Items not shown same as "Side Elevation" of "Handrail Details"



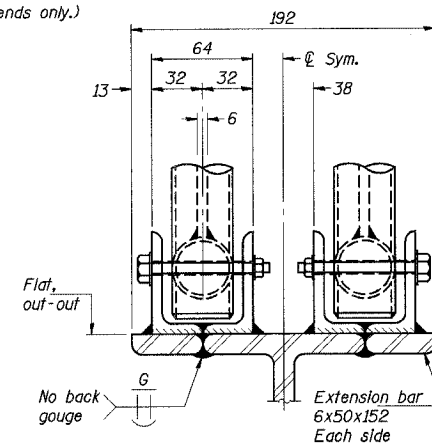
SIDE ELEVATION

Drill and ream for 10 mm ϕ stainless steel bolt with hexagon locknut and two stainless steel washers.



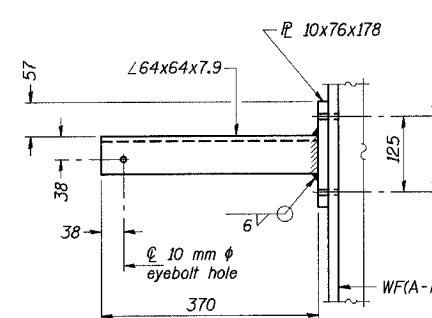
FRONT ELEVATION

See "ELEVATION" at right for dimensions.

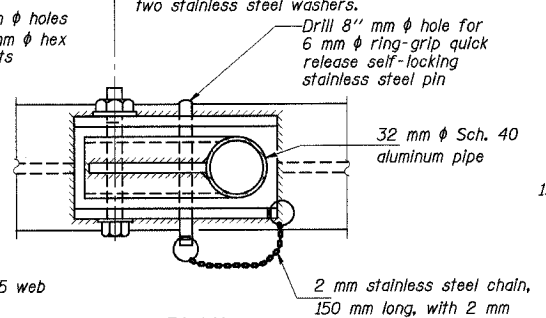


ELEVATION AT HANDRAIL JOINT

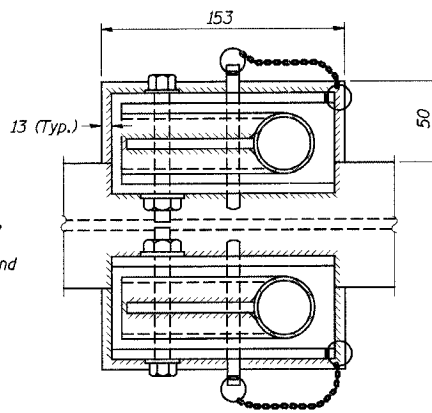
Details not shown same as "FRONT ELEVATION"



SECTION P-P

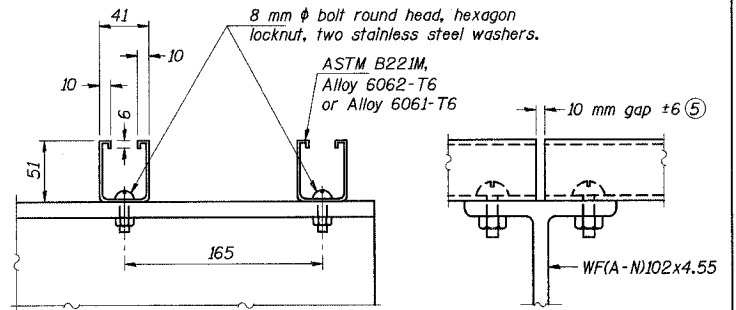


PLAN DETAIL E HANDRAIL HINGE



PLAN AT HANDRAIL JOINT

Details not shown same as "PLAN"

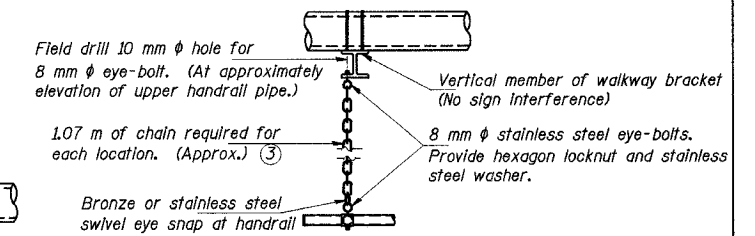


SECTION F-F

SECTION G-G

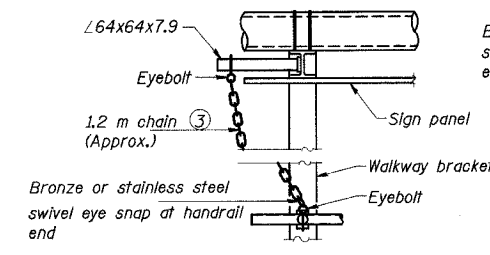
LIGHTING FIXTURE MOUNTS (IF REQUIRED)

- ⑤ Field cut ends of light support channels shall be free of burrs or hazardous projections and coated with zinc-rich primer or equivalent.



SAFETY CHAIN

One required for each end of each walkway.



ALTERNATE SAFETY CHAIN ATTACHMENT

Details not shown similar to "Safety Chain" Details (Walkway omitted for clarity)

- ③ 5 mm galvanized steel chain, approximately 40 links per meter. Chain to be hot dip galvanized after manufacture and suitable for prolonged exterior exposure. Alternate materials may be substituted with the Engineer's approval.

- ④ Extrusions may be used in lieu of the details shown, with approval of the Engineer.

DESIGNED	PY
CHECKED	DD
DRAWN	LK
CHECKED	DD

OSC-A-8(M) 11/1/2002

NUMBER	REVISION	DATE

ILLINOIS DEPARTMENT OF TRANSPORTATION
I-80/94/US 6 (KINGERY EXPRESSWAY)

CANTILEVER SIGN STRUCTURES
HANDRAIL DETAILS
ALUMINUM TRUSS & STEEL POST

DATE: JUL 18, 2005
SCALE: ---

HNTB

J:\Beauchamp
 E:\34562\CADD\bl\Signs\Contr-ec119\ods\asal\90134e.dgn
 08-JUL-2005 15:33