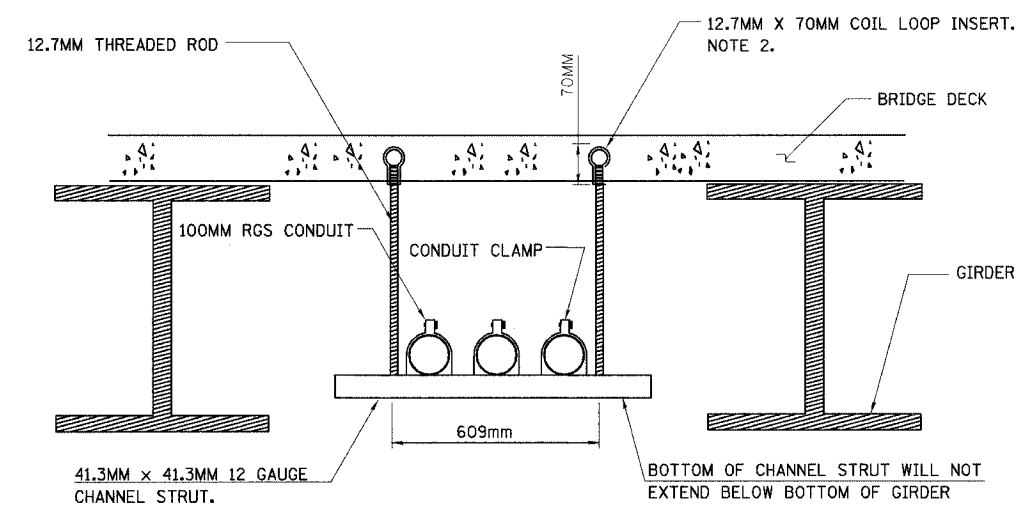
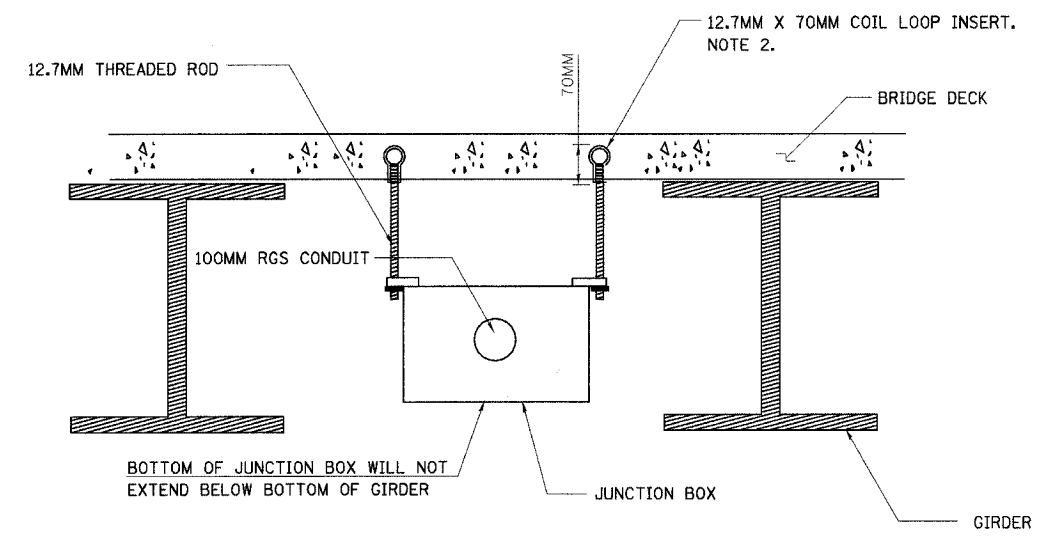


F.A.I. RTE	SECTION	COUNTY	TOTAL SHEETS	SHEET NO.
80/94	•	COOK	870	435
STA.		TO STA.		
FED ROAD DIST. NO.		ILLINOIS FED. AID PROJECT		



**HANGER ASSEMBLY FOR CONDUIT ATTACHED TO BRIDGE DECK**  
NOT TO SCALE



**HANGER ASSEMBLY FOR JUNCTION BOX ATTACHED TO BRIDGE DECK**  
NOT TO SCALE

**NOTES:**

1. ALL DIMENSIONS ARE IN MILLIMETERS UNLESS NOTED OTHERWISE.
2. LOOP SHALL BE RATED FOR A MINIMUM SAFE WORK LOAD (TENSION) OF 8.9 kN.

ED19-6

ILLINOIS DEPARTMENT OF TRANSPORTATION  
I-94 EAST BOUND / IL 394 SOUTH BOUND

**JUNCTION BOX AND CONDUIT MOUNTING DETAILS**

REVISIONS	
NAME	DATE

HORIZ SCALE: NONE  
VERT SCALE: NONE  
DATE: JULY 18, 2005

DRAWN BY: SPR  
CHECKED BY: BB

**HNTB**