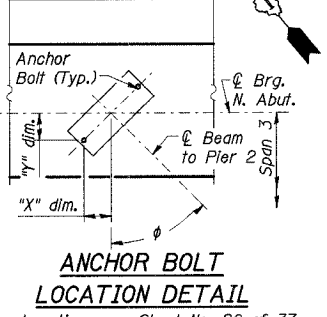
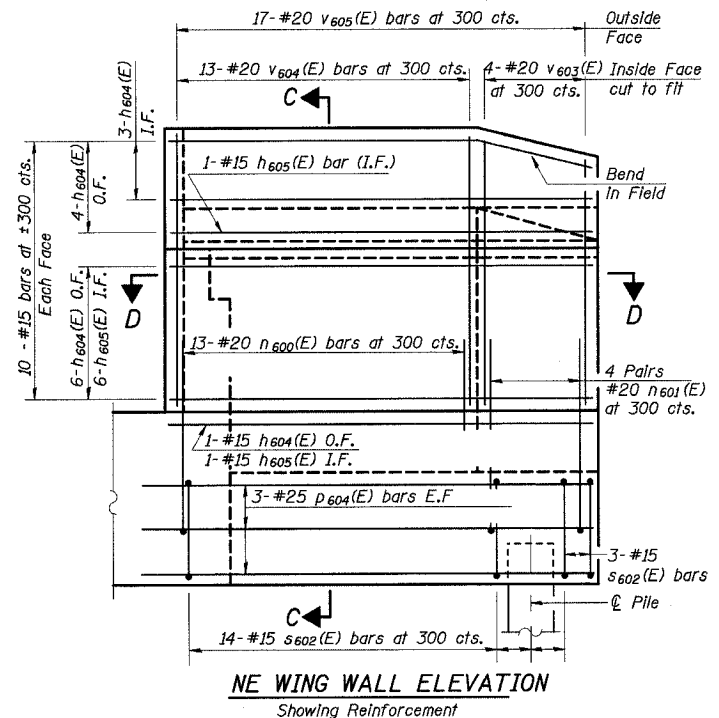
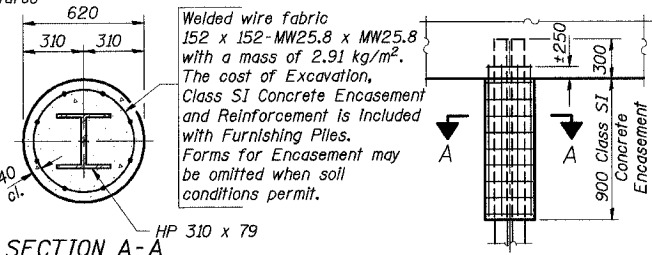
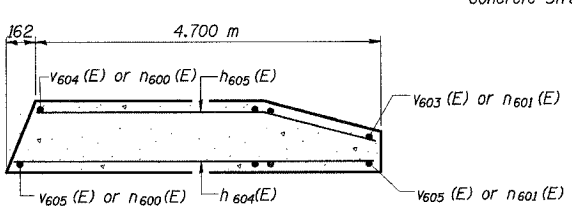
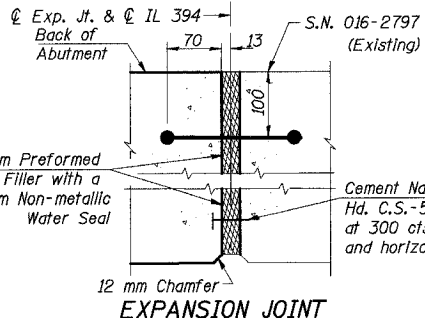
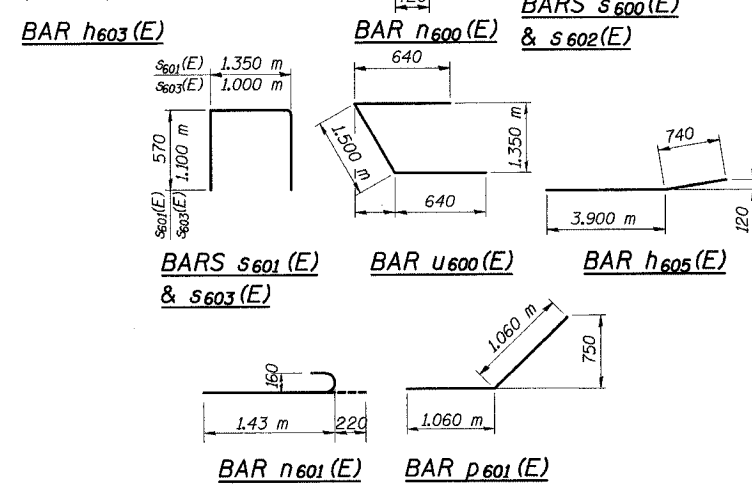
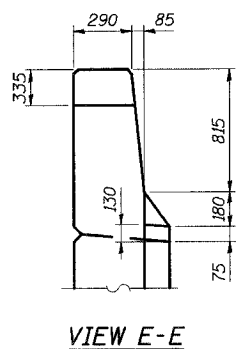
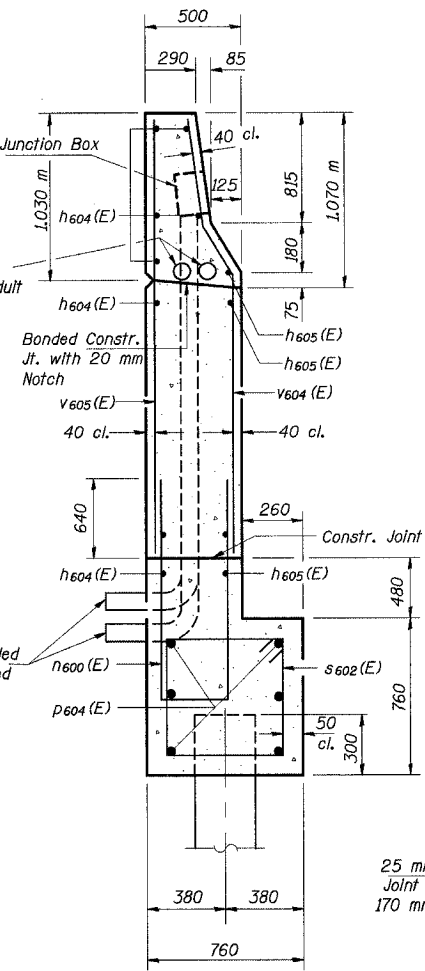
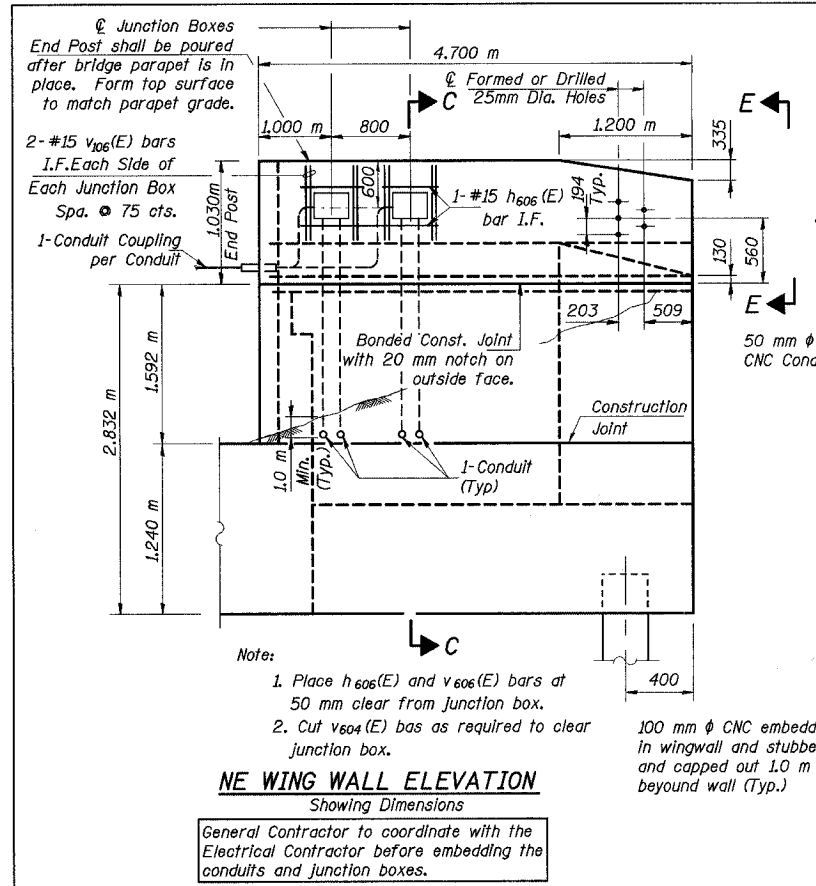


STATE OF ILLINOIS
DEPARTMENT OF TRANSPORTATION

ROUTE NO.	SECTION	COUNTY	TOTAL SHEETS	SHEET NO.	SHEET NO. 27
F.A.I. 80/94		COOK	870	500	37 SHEETS
FED. ROAD DIST. NO. 1		ILLINOIS	FED. AID PROJECT-	SECTION (0203.1 & 0312-708W) R-3 CONTRACT # 62108	



ANCHOR BOLT LOCATION DETAIL

Beam No.	Skew Angle(ϕ)	X (mm)	Y (mm)
9	25°08'21"	319	150
10	24°59'15"	319	149
11	24°50'09"	319	148
12	24°41'01"	320	147
13	24°31'51"	320	146
14	24°22'40"	321	145
15	24°13'52"	321	144
16	24°04'39"	321	144

Min. bar laps:
#15 bars - 510 mm
#20 bars - 640 mm
#25 bars - 1.060 m

Abbreviations:
F.F. = Front Face
B.F. = Back Face
E.F. = Each Face
O.F. = Outside Face
I.F. = Inside Face

NORTH ABUTMENT
BILL OF MATERIAL

Bar	No.	Size	Length	Shape
n600(E)	10	# 15	4.47	
n601(E)	20	# 20	8.17	
n602(E)	10	# 20	8.23	
n603(E)	14	# 15	1.60	
n604(E)	14	# 15	4.62	
n605(E)	8	# 15	4.64	
n606(E)	2	# 15	1.92	
v600(E)	13	# 20	3.42	
v601(E)	8	# 20	1.65	
p600(E)	10	# 25	8.16	
p601(E)	6	# 25	2.12	
p602(E)	10	# 25	9.06	
p603(E)	10	# 25	5.17	
p604(E)	6	# 25	5.00	
s600(E)	76	# 15	4.98	
s601(E)	28	# 15	2.49	
s602(E)	16	# 15	2.92	
s603(E)	8	# 15	3.20	
u600(E)	4	# 20	2.78	
v600(E)	132	# 15	1.65	
v601(E)	52	# 15	0.90	
v602(E)	52	# 15	1.03	
v603(E)	4	# 20	2.32	
v604(E)	13	# 20	2.56	
v605(E)	17	# 20	2.54	
v606(E)	8	# 15	0.95	
Structure Excavation		m ³	80	
Concrete Structures		m ³	54.6	
Reinforcement Bars, Epoxy Coated		kg	3,710	
Furnishing Steel Piles HP310X79		m	544	
Driving Steel Piles HP310X79		m	544	
Test Pile Steel HP310X79		Each	1	
Controlled Low-Strength Material		m ³	2.3	

- Notes:
- For additional Notes see Sheet No. 26 of 37.
 - Work this sheet with Sheet No. 26 of 37.
 - Quantity of concrete in end post included with Concrete Superstructure on Sheet No. 13 of 37.
 - For details of Bar Splicers, see Sheet No. 31 of 37.
 - All dimensions are in millimeters (mm) except as noted.
 - For details of Junction Box and method of payment see Electrical Drawings.

DESIGNED	M.R./ H.T.
CHECKED	H.T.
DRAWN	J.B./ J.S.
CHECKED	H.T./ M.R.

ILLINOIS DEPARTMENT OF TRANSPORTATION
I-94/IL 394 SOUTH BOUND
NORTH ABUTMENT DETAILS
SB IL. ROUTE 394 OVER CANADIAN NATIONAL RR
F.A.P. 332 SECTION (0203.1 & 0312-708W) R-3
COOK COUNTY
STA. 39+752.246 S.N. 016-2798 (INSIDE LANES)
DATE: July 18, 2005
SCALE: NONE

Soodan & Associates, Inc.
100 North LaSalle Street, Suite 1800
Chicago, Illinois 60602