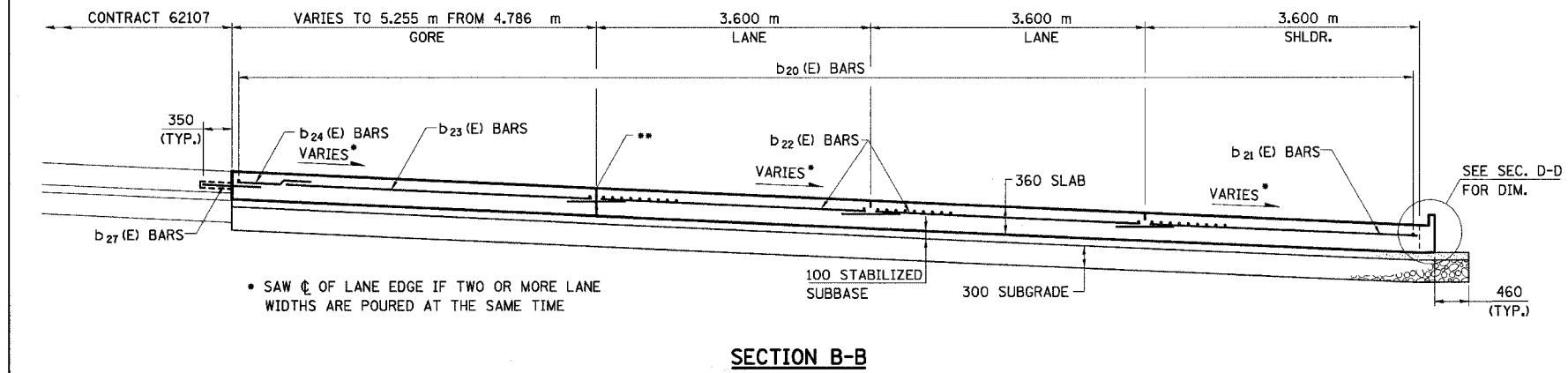
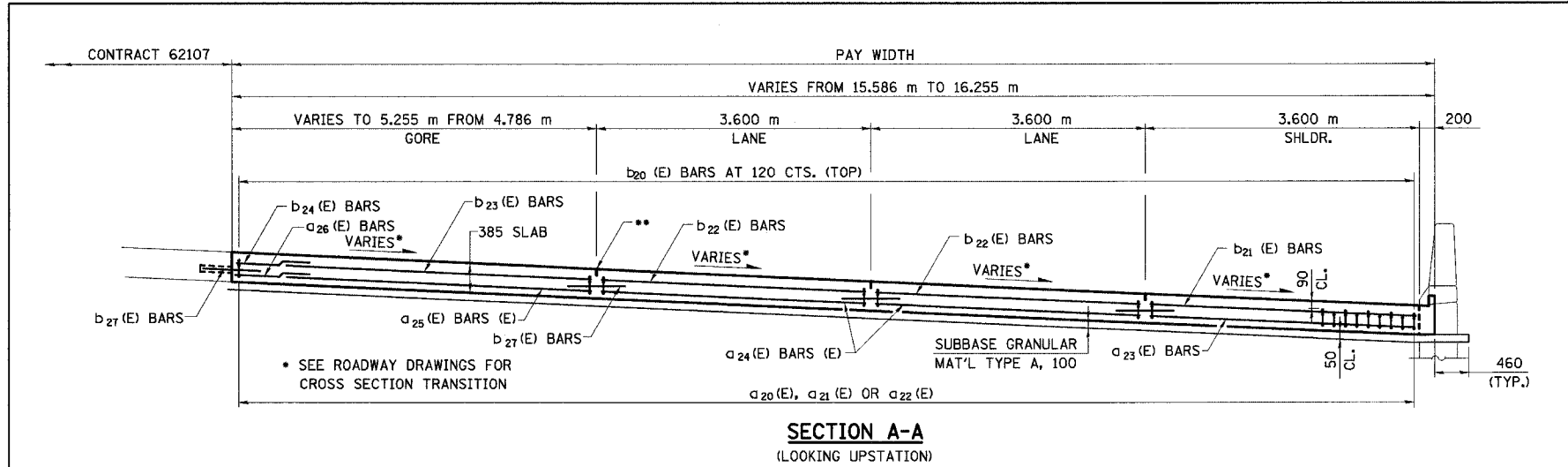


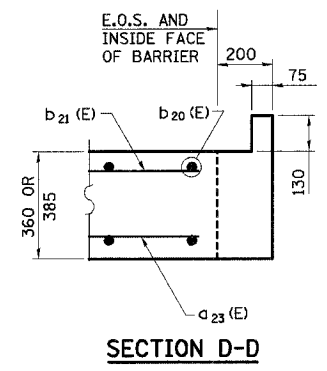
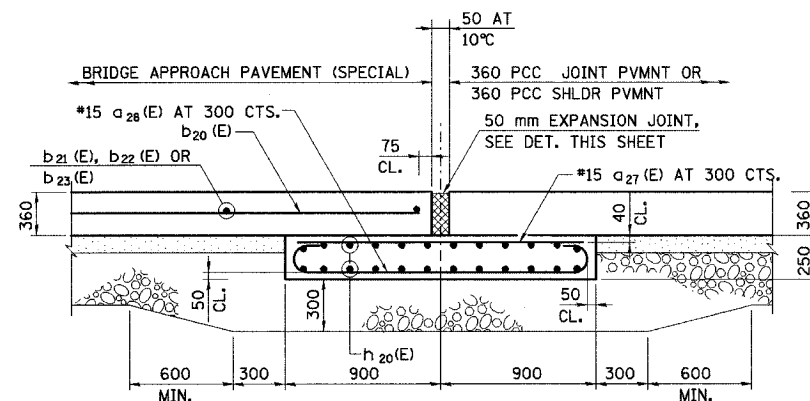
FAY	SECTION	COUNTY	TOTAL SHEETS	SHEET NO.
80/94	•	COOK	870	514
STA.		TO STA.		
FED ROAD DIST. NO.		ILLINOIS FED. AID PROJECT		



BILL OF MATERIAL BRIDGE APPROACH PAVEMENT (SPECIAL)

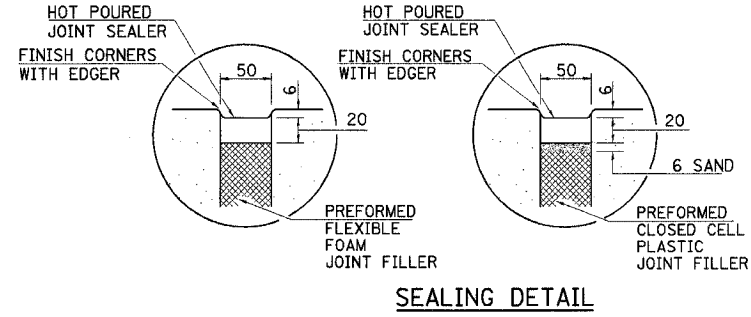
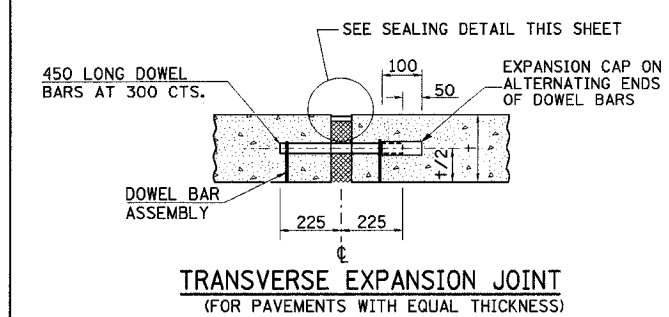
BAR	NO.	SIZE	LENGTH (M)	SHAPE	
a_{20} (E)	57	#30	8.13	U	
a_{21} (E)	53	#30	6.19	U	
a_{22} (E)	57	#15	3.00	U	
a_{23} (E)	41	#15	3.90	U	
a_{24} (E)	82	#15	3.90	U	
a_{25} (E)	41	#15	5.20	U	
a_{26} (E)	25	#15	1.00	U	
a_{27} (E)	61	#15	1.70	U	
a_{28} (E)	55	#15	2.06	U	
b_{20} (E)	398	#20	9.39	U	
b_{21} (E)	25	#15	3.53	U	
b_{22} (E)	45	#15	3.55	U	
b_{23} (E)	20	#15	4.74	U	
b_{24} (E)	14	#15	1.00	U	
b_{26} (E)	4	#15	2.10	U	
b_{27} (E)	143	#25	0.75	U	
h_{20} (E)	48	#15	8.42	U	
ITEM				UNIT	QUANTITIES
REINFORCEMENT BARS, EPOXY COATED (1)				KG	16515
BRIDGE APPROACH PAVEMENT (SPECIAL)				M ²	425

(1) SEE NOTE 2.



NOTE:

1. WORK THIS SHEET WITH SHEET NO. 513 OF 870.
2. ALL WORK AND MATERIALS INCLUDED FOR PAYMENT UNDER "BRIDGE APPROACH PAVEMENT (SPECIAL)".



REVISIONS	
NAME	DATE

ILLINOIS DEPARTMENT OF TRANSPORTATION
I-94 EAST BOUND / IL 394 SOUTH BOUND
BRIDGE APPROACH PAVEMENT (SPECIAL)
SB IL ROUTE 394 OVER
CANADIAN NATIONAL RR
STRUCTURE SN. 016-2798
NORTH APPROACH - 2 OF 2

HORIZ SCALE:
VERT SCALE:
DATE: JUL 18, 2005

DRAWN BY: LK
CHECKED BY: PY

HNTB