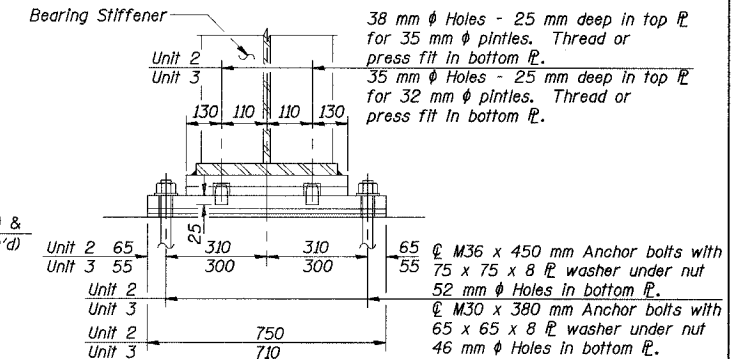
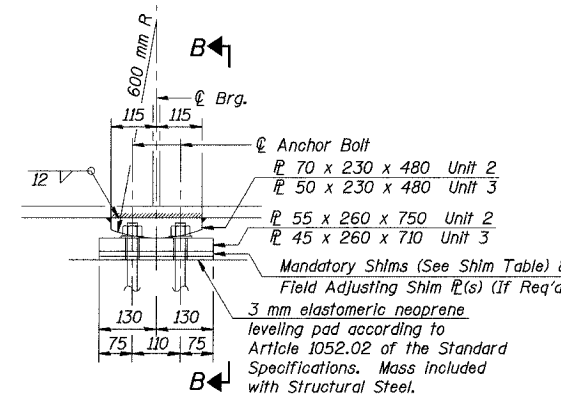
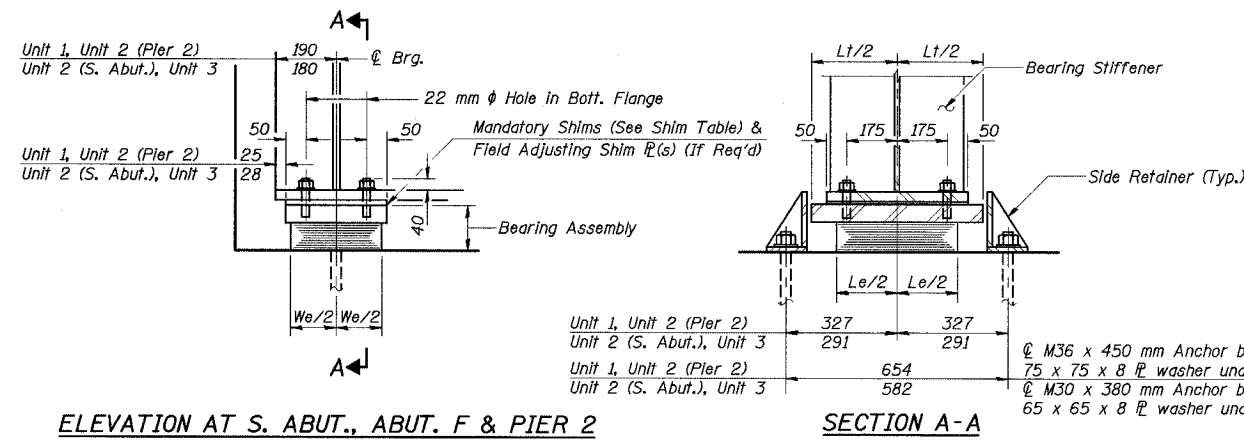


STATE OF ILLINOIS
DEPARTMENT OF TRANSPORTATION

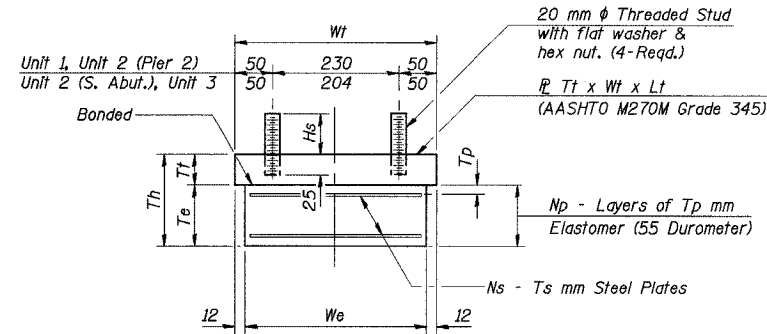
ROUTE NO.	SECTION	COUNTY	TOTAL SHEETS	SHEET NO.	SHEET NO. 55 91 SHEETS
F. A. I. 80/94	.	COOK	870	569	
FED. ROAD DIST. NO. 1	ILLINOIS	FED. AID PROJECT-			

(0203.1 & 0312-708W) R-3 CONTRACT NO. 62108



TYPE I ELASTOMERIC EXP. BRG.

(S. Abut., Abut. F, Pier 2)



BEARING ASSEMBLY

Note: Shim plates shall not be placed under Bearing Assembly.

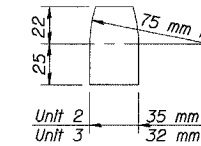
Notes: Anchor bolts at fixed bearings may be built into the masonry. See sheet No. 60 of 91 sheets for Anchor Bolt Installation. All dimensions are in millimeters (mm) except as noted.

TYPE I ELASTOMERIC EXP. BRG. LOCATIONS

Unit	Location	No. of Brgs. Req'd
1	Pier 2, G5	12
2	S. Abut.	6
2	Pier 2, G9	6
3	Abut. F	6
3	Pier 2, G5	6

FIXED BEARING

(Pier 1, Pier F1)
(Structural Steel AASHTO M 270M Grade 345, Mass Included with Erecting Structural Steel)



LOW PROFILE FIXED BRG. LOCATIONS

Unit	Location	No. of Brgs. Req'd
2	Pier 1	6
3	Pier F1	6

SHIM TABLE

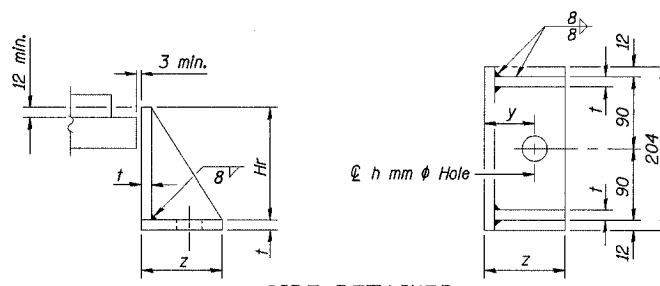
Unit	Location	Shim
1	Pier 2, G5	16
1	Pier 2, G7	18
1	Pier 2, G8	8
1	Pier 2, G9	2
1	Pier 2, G12	3
2	Pier 2, G1	22
2	Pier 2, G2	11
2	Pier 2, G3	3
2	Pier 2, G6	4
3	Pier F1, G6	11
3	Pier 2, G5	3

ELASTOMERIC BEARING ASSEMBLY DIMENSIONS

Member	Dimension	Unit				
		1 Pier 2	2 S. Abut.	2 Pier 2	3 Abut. F	3 Pier 2
Top Plate	Lt	508	456	508	456	456
	Wt	330	304	330	304	304
	Tt	55	50	50	50	50
Bearing	Le	458	406	458	406	406
	We	306	280	306	280	280
	Te	128	93	109	77	77
	Tp	14	13	14	13	13
	Np	7	6	6	5	5
	Ts	5	3	5	3	3
	Ns	6	5	5	4	4
Side Retainer	Th	183	143	159	127	127
	y	70	60	70	60	60
	z	140	120	140	120	120
	t	16	14	16	14	14
	h	44	38	44	38	38
Threaded Stud	Hr	179	141	155	125	125
	Hs	76	71	71	91	91

BILL OF MATERIAL

Item	Unit	Quantity
Erecting Elastomeric Bearing Assembly, Type I (IDOT)	Each	24
Erecting Elastomeric Bearing Type I (800 In ³ < V < 1000 In ³) (ISTHA)	Each	12



SIDE RETAINER

Equivalent rolled angle with stiffeners will be allowed in lieu of welded plates. Mass Included with Erecting Structural Steel for Units 1 and 2. Mass Included with Erecting Elastomeric Bearing Type I (800 In³ < V < 1000 In³) for Unit 3.

DESIGNED	TRL
CHECKED	JJK
DRAWN	LK
CHECKED	JJK

J:\Branches\ENR\24562\000\01\SN_2800\01\19_2800\01\190224e_2800.dgn
 08-JUL-2005 13:48

ILLINOIS DEPARTMENT OF TRANSPORTATION
I-94 EAST BOUND / IL 394 SOUTH BOUND
ELASTOMERIC EXP. BRGS. TYPE I & LOW PROFILE FIXED BRGS.
SB IL ROUTE 394 / RAMP F OVER THORN CREEK
F.A.P. 332 SECTION (0203.1 & 0312-708W) R-3
COOK COUNTY
STA. 440+704.350 STRUCTURE NO. 016-2800/2845
DATE JUL 18, 2005
SCALE ---
HNTB