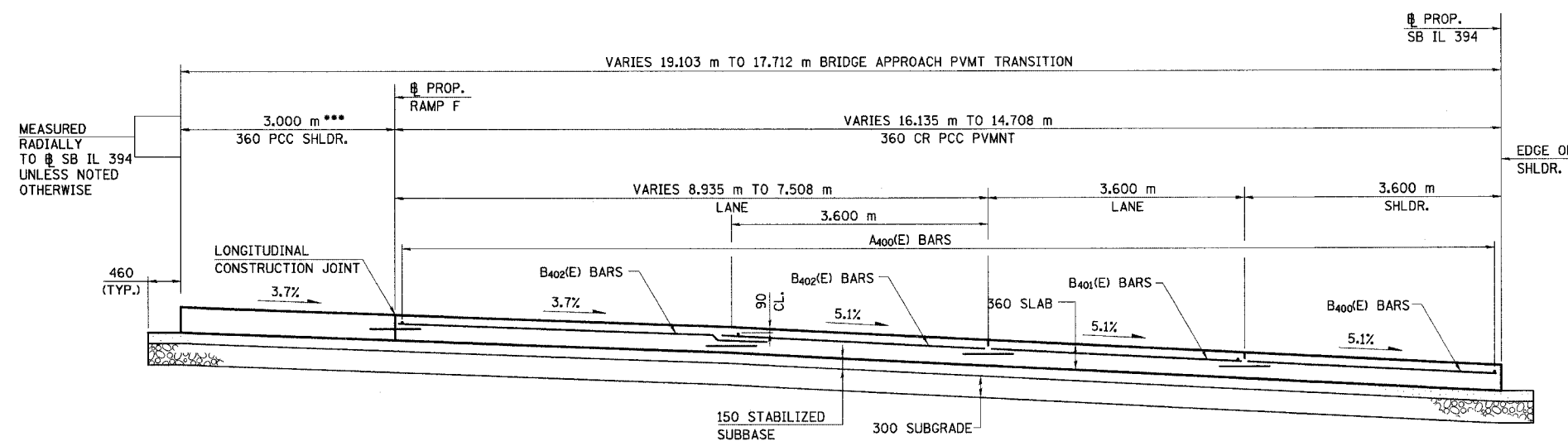
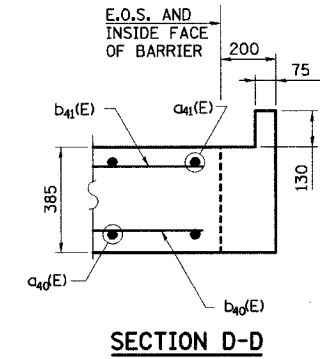


FBI RTE	SECTION	COUNTY	TOTAL SHEETS	SHEET NO.
80/94		COOK	870	609
STA.		TO STA.		
FED ROAD DIST. NO.		ILLINOIS FED. AID PROJECT		

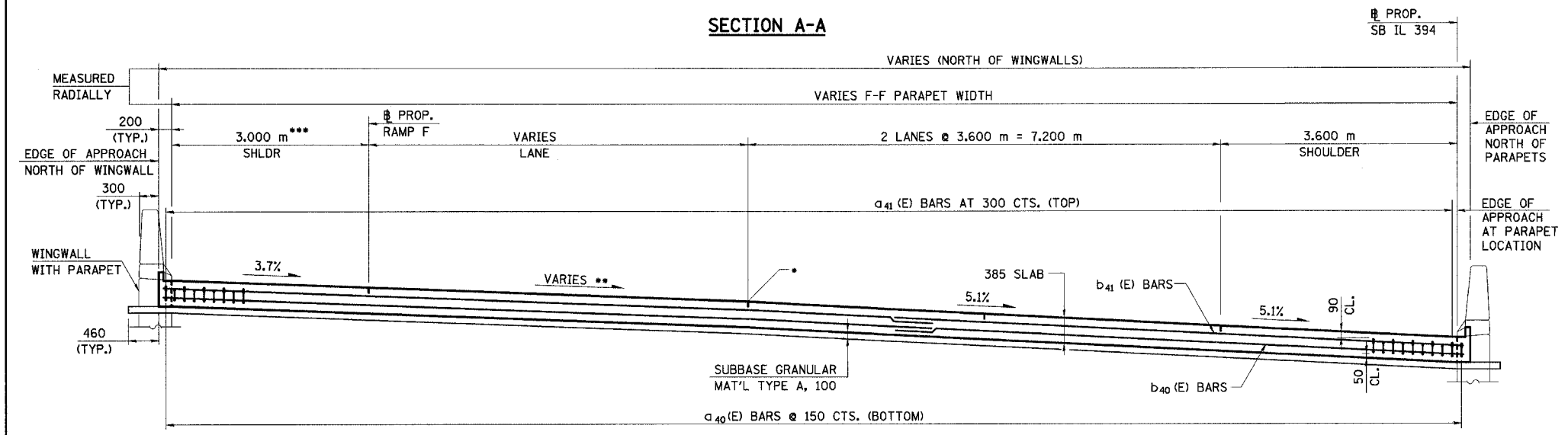


SECTION A-A

• SAW ϕ OR LANE EDGE IF TWO OR MORE LANE WIDTHS ARE POURED AT A TIME.



SECTION D-D

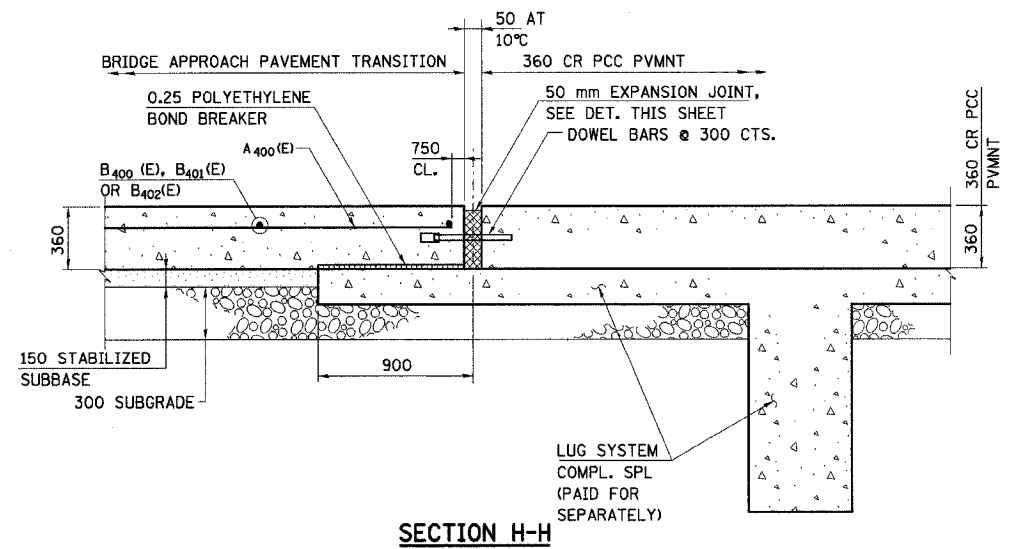


SECTION B-B

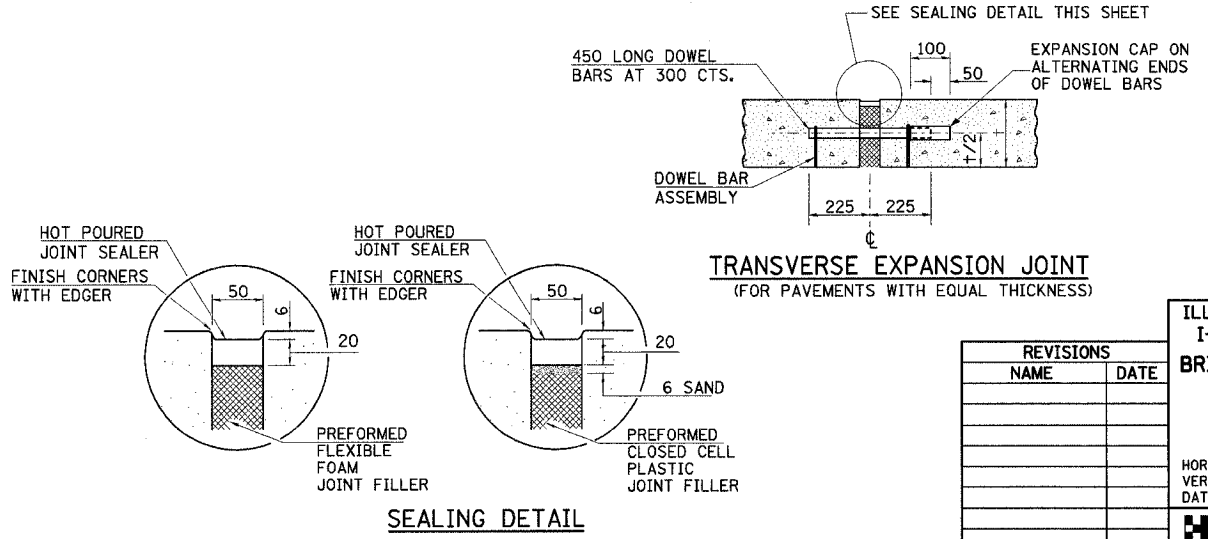
•• SEE ROADWAY DRAWINGS FOR CROSS SECTION TRANSITION
 ••• MEASURED RADIALLY TO PROP. ϕ RAMP F

NOTES:

1. WORK THIS SHEET W/SHEET NO 608 OF 870.
2. SEE SHEET NO. 712 & 713 OF 870 FOR DETAILS & REINFORCEMENT OF LUG SYSTEM COMPL SPL.



SECTION H-H



TRANSVERSE EXPANSION JOINT
(FOR PAVEMENTS WITH EQUAL THICKNESS)

SEALING DETAIL

REVISIONS	
NAME	DATE

ILLINOIS DEPARTMENT OF TRANSPORTATION
 I-94 EAST BOUND / IL 394 SOUTH BOUND
BRIDGE APPROACH PAVEMENT (SPECIAL) & PAVEMENT TRANSITION
 SB IL RTE 394 OVER THORNTHON STRUCTURE NO. 2800
 NORTH APPROACH - 2 OF 2

HORIZ SCALE:
 VERT SCALE:
 DATE: JUL 18, 2005

DRAWN BY: LK
 CHECKED BY: PY

HNTB