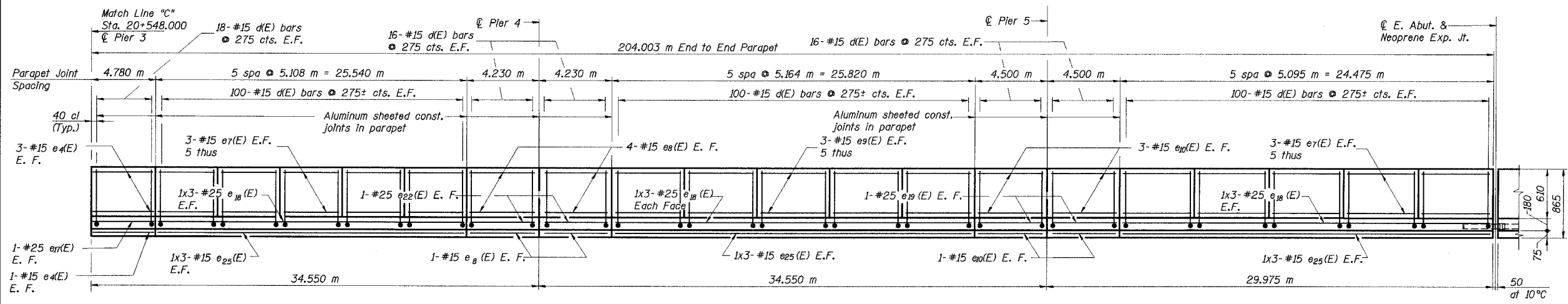
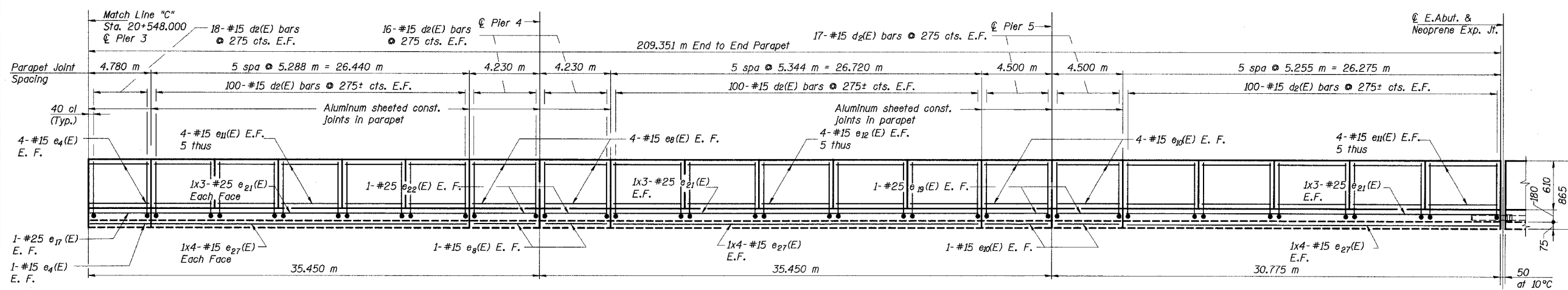


STATE OF ILLINOIS  
DEPARTMENT OF TRANSPORTATION

ROUTE NO.	SECTION	COUNTY	TOTAL SHEETS	SHEET NO.	SHEET NO. 15
F. A. I. 80/94	.	COOK	870	625	56 SHEETS
FED. ROAD DIST. NO. 1	ILLINOIS	FED. AID PROJECT-			
(0203.1 & 0312-708W) R-3			CONTRACT NO. 62108		



**INSIDE ELEVATION OF NORTH PARAPET**  
Measured on Curve along Inside Face of Parapet



**OUTSIDE ELEVATION OF SOUTH PARAPET**  
Measured on Curve along Inside Face of Parapet

DESIGNED	R.A.
CHECKED	M.R.
DRAWN	R.A.
CHECKED	M.R. / H.T.

**MIN. BAR LAPS**  
#15 bars - 510  
#20 bars - 640  
#25 bars - 1060

- NOTES:**
- See Sheet 16 of 56 for Superstructure Details.
  - See Sheet 16 of 56 for Bill of Material.
  - Reinforcement bars designated (E) shall be Epoxy coated.
  - Bars indicated thus 4x7-#15 etc. indicates 4 lines of bars with 7 lengths per line.
  - All dimensions are in millimeters (mm) except as noted.

ILLINOIS DEPARTMENT OF TRANSPORTATION  
I-94 EAST BOUND / IL 394 SOUTH BOUND  
**PARAPET ELEVATION & DETAILS 2 OF 2**  
EB I-94 OVER THORN CREEK  
F.A.P. 332 SECTION (0203.1 & 0312-708W) R-3  
COOK COUNTY  
STA. 20+809.000 STRUCTURE NO. 016-2807  
DATE: 7/18/05  
SCALE: NTS  
**Soodan**  
Soodan & Associates, Inc.  
100 North LaSalle Street, Suite 1800  
Chicago, Illinois 60602