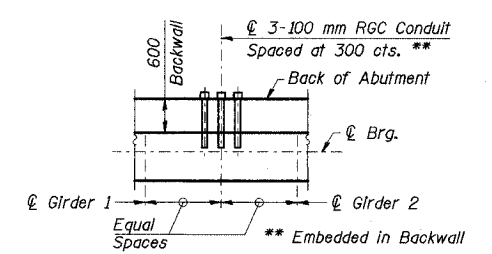
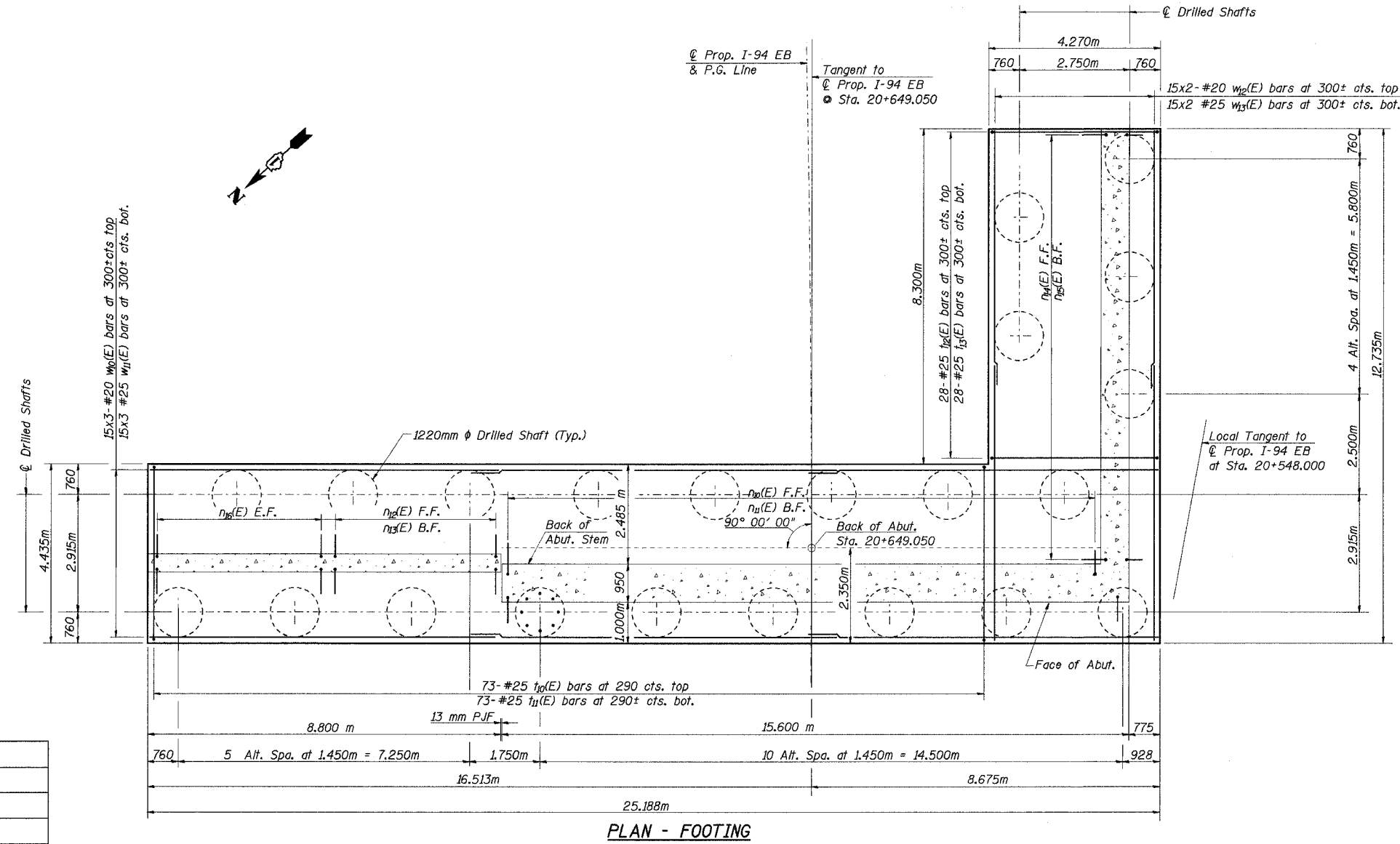
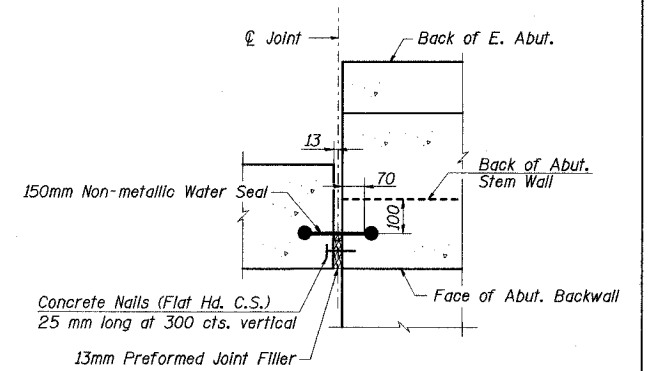
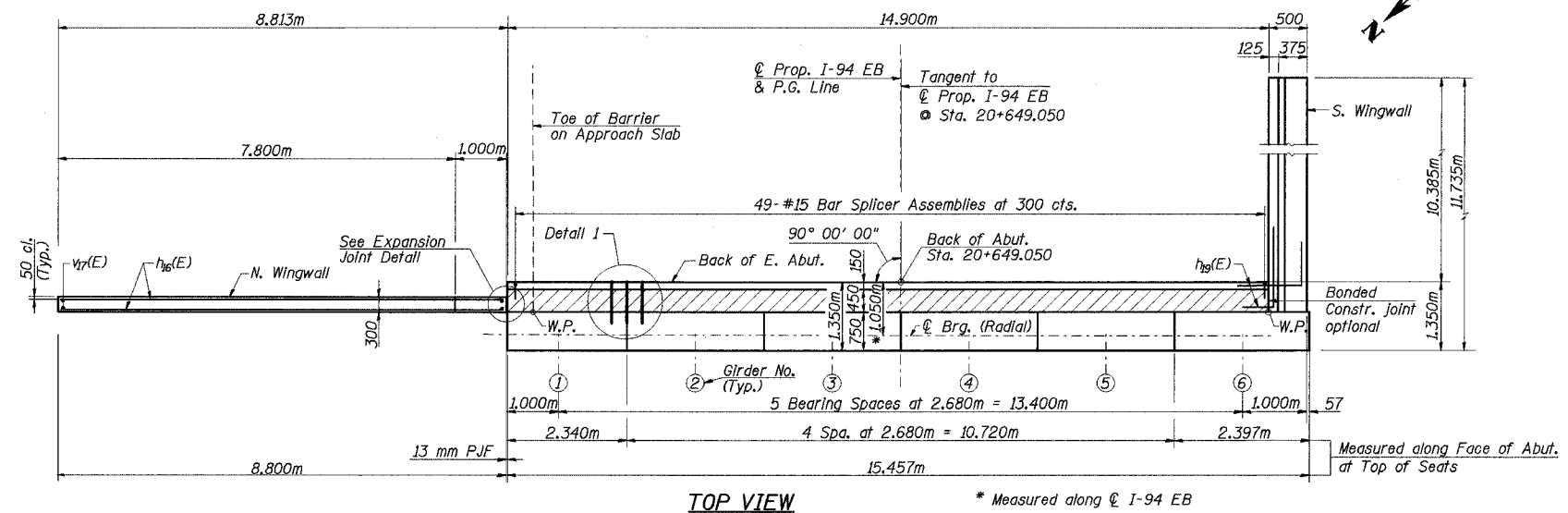


STATE OF ILLINOIS
DEPARTMENT OF TRANSPORTATION

ROUTE NO.	SECTION	COUNTY	TOTAL SHEETS	SHEET NO.	SHEET NO. 34
F. A. I. 80/94	*	COOK	870	644	56 SHEETS
FED. ROAD DIST. NO. 1	ILLINOIS	FED. AID PROJECT-			
0203.1 & 0312-708WR-3			CONTRACT NO. 62108		



- Notes:
- All dimensions are in millimeters unless otherwise noted.
 - Work this sheet with Sheets 35-37 of 56.

DESIGNED	JJK
CHECKED	KGN
DRAWN	LK
CHECKED	KGN

ILLINOIS DEPARTMENT OF TRANSPORTATION
I-94 EAST BOUND / IL 394 SOUTH BOUND
EAST ABUTMENT & WINGWALL
TOP VIEW & FOOTING PLAN
EB I-94 OVER THORN CREEK
F.A.I. 94 SECTION (0203.1 & 0312-708W) R-3
COOK COUNTY
STA. 20+509.000 STRUCTURE NO. 016-2807
DATE JUL 18, 2005
SCALE ---

HNTB

J:\Beauchamp
JA\34562\CA00\B\SN_2807\CADD\CTR_19_2807\ebi\90034e_2807.dgn
08-SEP-2005 13:56